

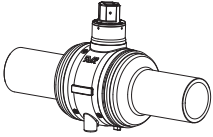
HDPE FUSIBLE VALVES

HDPE FUSIBLE VALVE ACRONYMS :

- ANSI - American National Standards Institute**
- ASME - American Society of Mechanical Engineers**
- BALL - Ball Valve**
- BFV - Butterfly Valve**
- CKV - Check Valve**
- DCV - Dual Containment Valve**
- DIPS - Ductile Iron Pipe Size**
- EPDM - Ethylene Propylene Diene Monomer**
- HDPE - High Density Polyethylene**
- IPS - Iron Pipe Size**
- NBR - Nitrile Butyl Rubber**
- PE - Polyethylene**
- SDR - Standard Dimension Ratio**
- SS - Stainless Steel**

Type

**Series 85/BALL/PEBV/DR11
Universal HDPE
Fusible End Ball Valve**



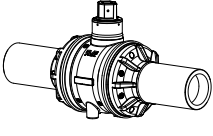
SDR 11 IPS (Standard)
PE 100
HDPE Ball
NBR Seat

Size 3/4"-6"

AVK Ref. #	Size	Weight		Price US \$
		kg	lb	SDR 11
85-020-PEBV-DR9	0.75"	1	2	85
85-025-PEBV-DR9	1"	1	2	85
85-040-PEBV-DR9	1.5"	2	4	150
85-050-PEBV-DR9	2"	3	6	168
85-080-PEBV-DR9	3"	6	14	346
85-100-PEBV-DR9	4"	9	20	445
85-150-PEBV-DR9	6"	21	45	1,220

Type

**Series 85/BALL/PEBV/DR9
Universal HDPE
Fusible End Ball Valve**



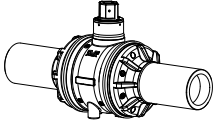
DR 9 IPS (Standard)
PE 100
HDPE Ball
NBR Seat

Size 2"-6"

AVK Ref. #	Size	Weight		Price US \$
		kg	lb	SDR 9
85-050-PEBV-DR9	2"	3	6	189
85-080-PEBV-DR9	3"	6	14	340
85-100-PEBV-DR9	4"	9	20	501
85-150-PEBV-DR9	6"	22	48	1,373

Type

**Series 85/BALL/PEBV/DR7
Universal HDPE
Fusible End Ball Valve**



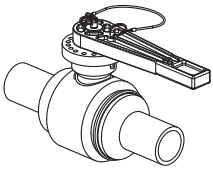
DR 7 IPS (Standard)
PE 100
HDPE Ball
NBR Seat

Size 2"-6"

AVK Ref. #	Size	Weight		Price US \$
		kg	lb	SDR 7
85-050-PEBV-DR7	2"	3	6	210
85-080-PEBV-DR7	3"	6	14	433
85-100-PEBV-DR7	4"	9	20	557
85-150-PEBV-DR7	6"	22	48	1,525

Type

**Series 89/BFV
HDPE Fusible End
Butterfly Valve**



SDR 11 IPS (Standard)
PE 100
Stainless Steel Disc,
NBR Seat

Size 2"-12"

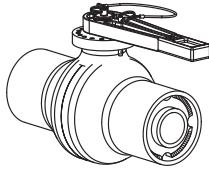
AVK Ref. #	Size	Weight		Price US \$
		kg	lb	US \$
89-050-50XX	2"	2	4	718
89-080-50XX	3"	5	10	843
89-100-50XX	4"	7	15	1,041
89-150-50XX	6"	11	24	1,731
89-200-50XX	8"	36	80	4,346
89-250-50XX	10"	48	105	6,278
89-300-50XX	12"	66	145	9,125

Lever standard on sizes 2"-6", Gearboxes standard on sizes 8"- 12". Gearboxes available on 2"-6" sizes upon request

Type

**Series 890/DCV
HDPE Fusible End
Dual Containment
Butterfly Valve**

SDR 11 IPS (Standard)
PE 100
Stainless Steel Disc,
NBR Seat
Size 2"x4" through 6"x10"



AVK Ref. #

Size

**Weight
kg lb**

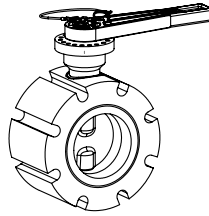
**Price
US \$**

890-050-50XX	2" x 4"	3	7	1,435
890-080-50XX	3" x 6"	7	15	1,686
890-100-50XX	4" x 8"	14	30	2,083
890-150-50XX	6" x 10"	20	44	3,462

Levers standard on sizes 2"-6", Gearboxes standard on sizes 8"- 12". Gearboxes available on 2"-6" sizes upon request

**Series 891/WAF
HDPE Wafer
Butterfly Valve**

Bolting pattern to
ASME/ANSI B 16.1
Class 125
PE 100
Stainless Steel Disc,
NBR Seat
Size 2"-12"



891-050-50XX	2"	2	4	574
891-080-50XX	3"	5	10	674
891-100-50XX	4"	6	12	833
891-150-50XX	6"	9	20	1,385
891-200-50XX	8"	21	45	3,477
891-250-50XX	10"	30	65	5,023
891-300-50XX	12"	48	105	7,300

Levers standard on sizes 2"-6", Gearboxes standard on sizes 8"- 12". Gearboxes available on 2"-6" sizes upon request