

TIMESAVER™ VALVES

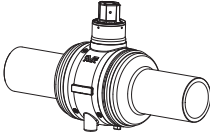
HDPE TIMESAVER™ VALVES

HDPE TIMESAVER™ VALVE ACRONYMS :

ANSI - American National Standards Institute
ASME - American Society of Mechanical Engineers
BALL - Ball Valve
BFV - Butterfly Valve
CKV - Check Valve
DCV - Dual Containment Valve
DIPS - Ductile Iron Pipe Size
EPDM - Ethylene Propylene Diene Monomer
HDPE - High Density Polyethylene
IPS - Iron Pipe Size
NBR - Nitrile Butyl Rubber
PE - Polyethylene
SDR - Standard Dimension Ratio
SS - Stainless Steel

Type

**Series 85/BALL/PEBV/DR11
Universal HDPE
Fusible End Ball Valve**



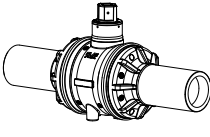
SDR 11 IPS (Standard)
PE 100
HDPE Ball
NBR Seat

Size 3/4"-6"

AVK Ref. #	Size	Weight		Price US \$
		kg	lb	SDR 7
85-020-PEBV-DR9	0.75"	1	2	85
85-025-PEBV-DR9	1"	1	2	85
85-040-PEBV-DR9	1.5"	2	4	150
85-050-PEBV-DR9	2"	3	6	168
85-080-PEBV-DR9	3"	6	14	346
85-100-PEBV-DR9	4"	9	20	445
85-150-PEBV-DR9	6"	21	45	1,220

Type

**Series 85/BALL/PEBV/DR9
Universal HDPE
Fusible End Ball Valve**



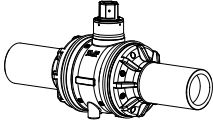
DR 9 IPS (Standard)
PE 100
HDPE Ball
NBR Seat

Size 2"-6"

AVK Ref. #	Size	Weight		Price US \$
		kg	lb	SDR 9
85-050-PEBV-DR9	2"	3	6	189
85-080-PEBV-DR9	3"	6	14	340
85-100-PEBV-DR9	4"	9	20	501
85-150-PEBV-DR9	6"	22	48	1,373

Type

**Series 85/BALL/PEBV/DR7
Universal HDPE
Fusible End Ball Valve**



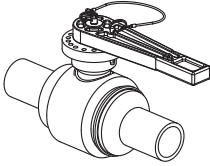
DR 7 IPS (Standard)
PE 100
HDPE Ball
NBR Seat

Size 2"-6"

85-050-PEBV-DR7	2"	3	6	210
85-080-PEBV-DR7	3"	6	14	433
85-100-PEBV-DR7	4"	9	20	557
85-150-PEBV-DR7	6"	22	48	1,525

Type

**Series 89/BFV
HDPE Fusible End
Butterfly Valve**

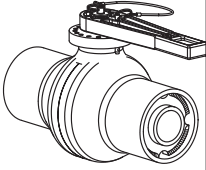


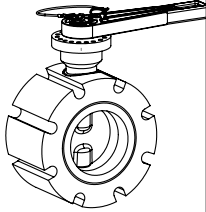
SDR 11 IPS (Standard)
PE 100
Stainless Steel Disc,
NBR Seat

Size 2"-12"

AVK Ref. #	Size	Weight		Price US \$
		kg	lb	
89-050-50XX	2"	2	4	718
89-080-50XX	3"	5	10	843
89-100-50XX	4"	7	15	1,041
89-150-50XX	6"	11	24	1,731
89-200-50XX	8"	36	80	4,346
89-250-50XX	10"	48	105	6,278
89-300-50XX	12"	66	145	9,125

14" - 24" available upon request
DIPS and metric sizes available upon request
Levers standard on sizes 2"-6", Gearboxes standard on sizes 8"- 12". Gearboxes available on 2"-6" sizes upon request
Stem extensions available upon request (1' - 9' in 1' increments)

Type	AVK Ref. #	Size	Weight		Price US \$
			kg	lb	
Series 890/DCV HDPE Fusible End Dual Containment Butterfly Valve SDR 11 IPS (Standard) PE 100 Stainless Steel Disc, NBR Seat Size 2"x4" through 6"x10"					
	890-050-50XX	2" x 4"	3	7	1,435
	890-080-50XX	3" x 6"	7	15	1,686
	890-100-50XX	4" x 8"	14	30	2,083
	890-150-50XX	6" x 10"	20	44	3,462
8" x 12" available upon request DIPS and metric sizes available upon request Levers standard on sizes 2"-6", Gearboxes standard on sizes 8"- 12". Gearboxes available on 2"-6" sizes upon request Stem extensions available upon request (1' - 9' in 1' increments)					

Series 891/WAF HDPE Wafer Butterfly Valve Bolting pattern to ASME/ANSI B 16.1 Class 125 PE 100 Stainless Steel Disc, NBR Seat Size 2"-12"					
	891-050-50XX	2"	2	4	574
	891-080-50XX	3"	5	10	674
	891-100-50XX	4"	6	12	833
	891-150-50XX	6"	9	20	1,385
	891-200-50XX	8"	21	45	3,477
	891-250-50XX	10"	30	65	5,023
	891-300-50XX	12"	48	105	7,300
	14" - 18" available upon request Levers standard on sizes 2"-6", Gearboxes standard on sizes 8"- 12". Gearboxes available on 2"-6" sizes upon request Stem extensions available upon request (1' - 9' in 1' increments)				

Type	AVK Ref. #	Size	Std. Operating Device	Initial Price*	Price Per** Ft.	Gearbox Adder
Series 89 Stem Extensions	89X-XXX-XXXX	2",3",4"	Lever (L2)	900	310	1,295
	89X-XXX-XXXX	6"	Lever (L2)	1,000	310	1,295
	89X-XXX-XXXX	8",10"	Gearbox (GB1)	2,770	375	N/A
	89X-XXX-XXXX	12",14"	Gearbox (GB2)	3,250	400	N/A
*Initial Charge: Covers the stem adapters, Operating device, Hardware and Hats **Price per ft.: Covers the HDPE and steel pipe material Call customer service for Actuator pricing						