

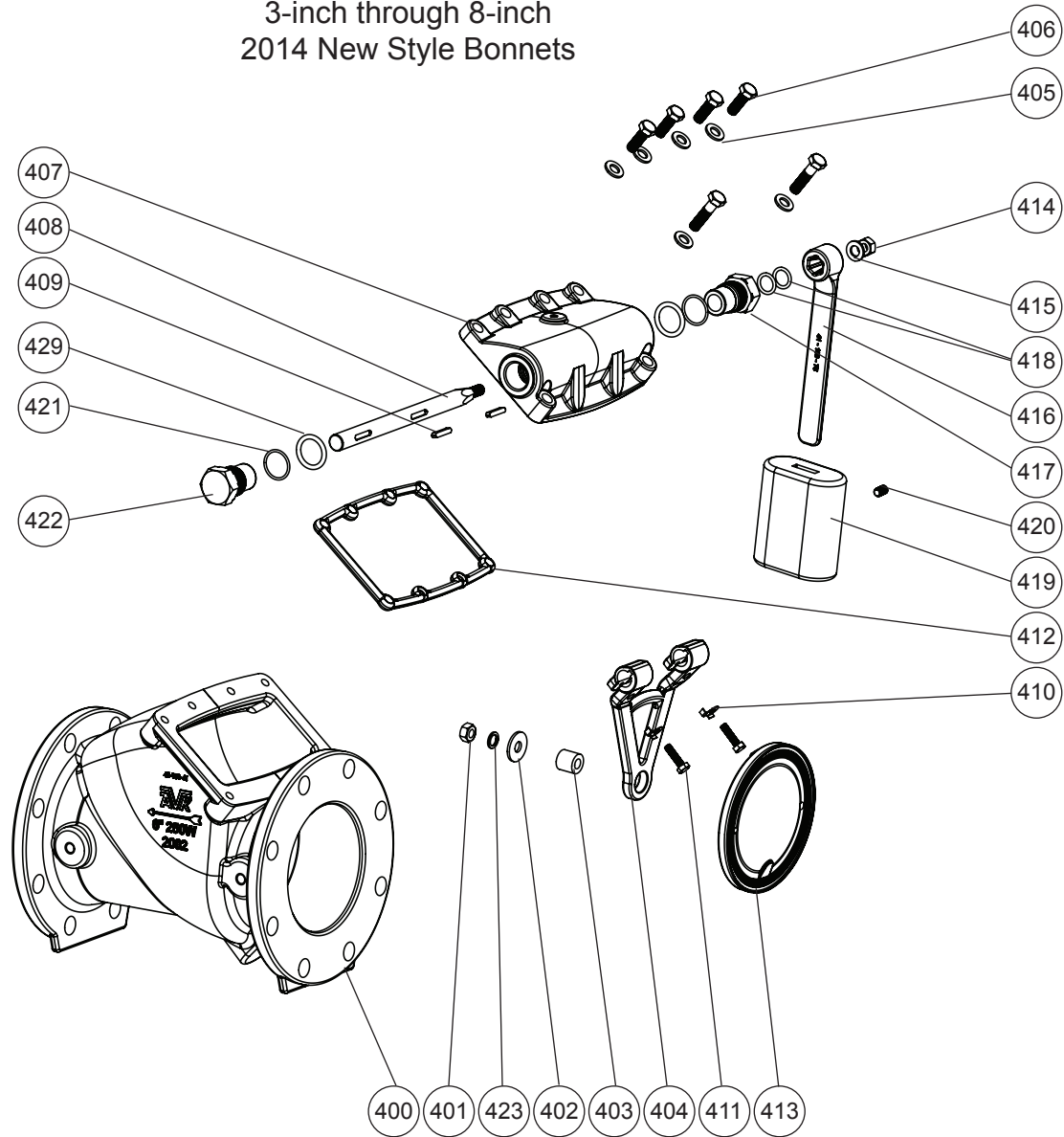
American AVK Series 41 Swingcheck Valve  
Exploded Parts Breakdown  
3-inch through 8-inch  
2014 New Style Bonnets

Components:

- 401. Body
- 401. Disc Nut\*
- 402. Disc Washer
- 403. Disc Bushing
- 404. Hinge
- 405. Bonnet Washer
- 406. Bonnet Bolt
- 407. Bonnet
- 408. Shaft
- 409. Key
- 410. Lock Washer
- 411. Hinge Bolt
- 412. Bonnet Gasket
- 413. Disc
- 414. Shaft Nut
- 415. Shaft Washer
- 416. Lever
- 417. Open Bushing
- 418. Inner Bushing O-ring
- 419. Weight
- 420. Set Screw
- 421. Outer Bushing O-ring
- 422. Closed Bushing
- 423. Disc Lock Washer\*
- 429. Bonnet O-Ring\*\*

\* As of March 1st, 2008  
on 3" through 8" valves,  
the Disc Lock Washer  
and Disc Nut are replaced  
by a self locking Disc Nut.

\*\* As of June 2014, additional  
o-rings included in new style  
bonnet assemblies fo 3"  
through 8" valves..



Item No.	Description	Material
400	Body	Ductile iron, ASTM A536
401	Disc Nut	304 Stainless steel
402	Disc Washer	304 Stainless steel
403	Disc Bushing	Polymide 6.6
404	Hinge	316 Stainless steel
405	Bonnet Washer	304 Stainless steel
406	Bonnet Bolt	304 Stainless steel
407	Bonnet	Ductile iron, ASTM A536
408	Shaft	Optional 420 or 316L Stainless steel
409	Key	304 Stainless steel
410	Lock Washer	304 Stainless steel
411	Hinge Bolt	304 Stainless steel
412	Bonnet Gasket	EPDM rubber
413	Disc	EPDM encapsulated steel disc
414	Shaft Nut	304 Stainless steel
415	Shaft Washer	NBR
416	Lever	Ductile iron ASTM A536
417	Open Bushing	Brass
418	Inner Bushing O-ring	NBR
419	Weight	Ductile iron, ASTM A536
420	Set Screw	304 Stainless steel
421	Outer Bushing O-ring	NBR
422	Closed Bushing	Brass
423	Disc Lock Washer	304 Stainless steel
424	Spring	Stainless Steel
425	Spring Eyebolt	Stainless Steel
426	Spring Eyebolt Nut	Stainless Steel
427	Spring Eyebolt Washer	Stainless Steel
428	Spring Bracket	Carbon Steel
429	Bonnet O-ring 10"-12"	NBR
430	Hinge Connector 10"-12"	Stainless Steel
431	Retaining Washers 10"-12"	Stainless Steel
432	Shaft Spacers 10"-12"	Stainless Steel
433	Spring Arm Washer 10"-12"	Stainless Steel
434	Spring Arm Nut 10"-12"	Stainless Steel
435	Spring Arm rod 10"-12"	Stainless Steel
436	Spring Bracket Mount Bolt 10"-12"	Stainless Steel
437	Spring Arm Spacer 10"-12"	Stainless Steel
438	Priming Actuator Seal Washer	Fiber
439	Priming Actuator Body	Brass
440	Priming Actuator O-ring	NBR
441	Priming Actuator Spindle	Stainless Steel
442	Priming Actuator Handle	Stainless Steel
446	Bonnet Plug Bolt 10"-12"	Stainless Steel
447	Bonnet Plug Washer 10"-12"	Copper
448	Shaft Lock Washer 10"-12"	Stainless Steel
449	Spring Bracket Mount Washer	Stainless Steel

For individual part ordering, refer to the item number, size & configuration of the valve when contacting American AVK Customer Services

Note: Items (#401) through (#423) may be ordered as a replacement kit. ( Head Assembly ) Refer to "HEAD REPLACEMENT" on page 13. Specify the appropriate valve size and configuration when ordering.