

AWWA C503, WET BARREL

HYDRANT – OPTIONS

AWWA C503 WET BARREL HYDRANT OPTIONS

• Style

- 24B – Bronze
- 24I – Ductile Iron
- 24S – Stainless Steel
- 24T – Threaded (High Pressure)

• Pressure Class

- UL/FM-200 PSI
- UL/FM-250, AWWA-350 PSI

• Pumper/Outlet Options

- PHH– 1 Pumper (P), 2 Hose (H)
- PHN– 1 Pumper (P), 1 Hose (H), No second Hose (N)
- PPH– 2 Pumper (P), 1 Hose (H)

• Chains

- With Chains
- With Cables
- Without Chains

• Pumper Nozzle

- Size _____
- Thread type _____

• Hose Nozzle

- Size _____
- Thread type _____

• Operating Nut

- Size _____
- Shape _____

• Bolting

- Zinc Plated (Standard)
- 304 Stainless Steel
- 316 Stainless Steel

• Mounting Hardware

- Zinc Plated (Standard)
- 304 Stainless Steel
- 316 Stainless Steel

• Opening Direction

- Open Left (Standard)

• Optional Break Flange

- Outlet Drill Pattern _____
- Inlet Drill Pattern _____

• Inlet Drill Pattern

- 6 Hole (AWWA C503)
- 8 Hole (ASME B16.1, Class 125)
- San Diego

• Color

- Body
- Hose Cap
- Pumper Cap
- Dummy Nuts
- Special Color

• FlowGuard II™ (Optional)

- Outlet Drill Pattern
- Inlet Drill Pattern
- 316 Bolting
- Color

• Adapter Kit for Non AVK Hydrant

- Specify required drilling _____

• Special Options – All special options must be approved by AVK

Customer: _____

Municipality: _____

Engineer: _____

Requested By: _____

Date: _____

Approval Name: _____

Signature: _____

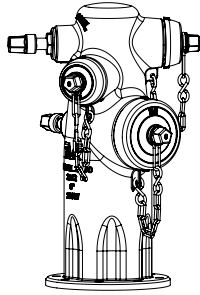
Title: _____

AWWA C503, WET BARREL HYDRANTS

Type

**Series 24I/PHH
(2491) Wet barrel hydrant
Ductile iron**

To AWWA C503
UL Listed
FM Approved
2 Hose Nozzles
1 Pumper Nozzle
200 PSI



AVK Ref. #

Size

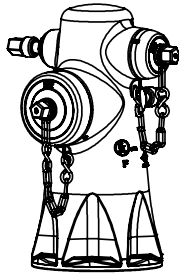
**Weight
kg lb**

**Price
US \$**

24I/PHH	2 x 2.5" and 1 x 4"	57	126	4,085
24I/PHH	2 x 2.5" and 1 x 4.5"	57	126	4,085

**Series 24I/PHN
(2470) Wet barrel hydrant
Ductile iron**

To AWWA C503
UL Listed
FM Approved
1 Hose Nozzle
1 Pumper Nozzle
200 PSI

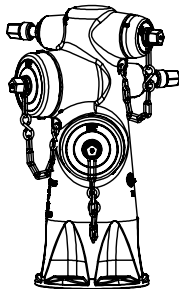


24I/PHN	1 x 2.5" and 1 x 4"	46	101	2,941
24I/PHN	1 x 2.5" and 1 x 4.5"	46	101	2,941

6 hole bolting options only

**Series 24I/PPH
(2420) Wet barrel hydrant
Ductile iron**

To AWWA C503
UL Listed
FM Approved
1 Hose Nozzle
2 Pumper Nozzles
200 PSI

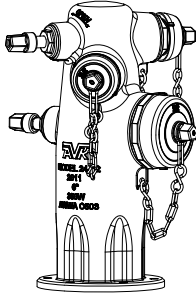


24I/PPH	1 x 2.5" and 2 x 4"	58	127	4,575
24I/PPH	1 x 2.5" and 2 x 4.5"	58	127	4,575

6 hole bolting options only

Type

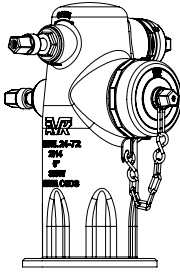
**Series 24T/PHH
(2492) Wet barrel hydrant
Ductile Iron, High Pressure**



To AWWA C503
UL Listed
FM Approved
2 Hose Nozzles
1 Pumper Nozzle
UL/FM - 250 PSI
AWWA - 350 PSI

AVK Ref. #	Size	Weight		Price US \$
		kg	lb	
24T/PHH	2 x 2.5" and 1 x 4"	62	136	5,106
24T/PHH	2 x 2.5" and 1 x 4.5"	62	136	5,106

**Series 24T/PHN
(2472) Wet barrel hydrant
Ductile Iron, High Pressure**



To AWWA C503
UL Listed
FM Approved
1 Hose Nozzle
1 Pumper Nozzle
UL/FM - 250 PSI
AWWA - 350 PSI

24T/PHN	1 x 2.5" and 1 x 4"	57	126	3,661
24T/PHN	1 x 2.5" and 1 x 4.5"	57	126	3,661

AWWA C503, HIGH PRESSURE, WET BARREL HYDRANTS