

HDL BALL CHECK VALVE

5087
FLxFL

Flanged x Flanged Ends - Drilled to ANSI B16.42 Class 150 - Valve sizes 1 1/2" - 16", 20" & 24"

Use:

For water and neutral liquids to maximum 160°F.

Tests:

Shell Test: 225 PSI

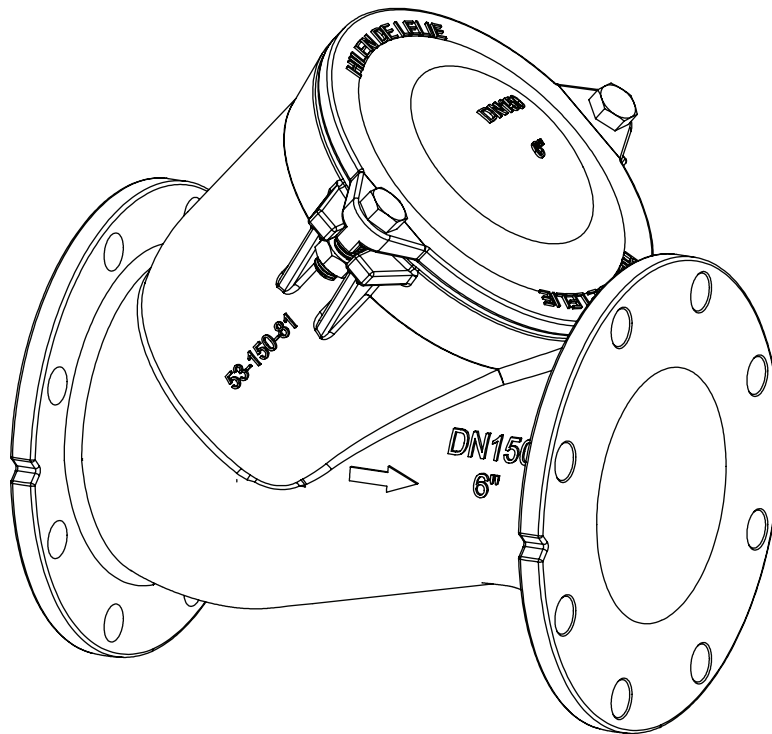
Seat Test: 150 PSI

Optional Material:

- Floating Ball
- Polyurethane Ball

Standard Materials:

| | |
|--------------------|---|
| Body, Bonnet, | Ductile iron ASTM A536 |
| Coating - FLxFL | Fusion Bonded Epoxy or Black Primer |
| Ball | Aluminum encapsulated with NBR-rubber compound, for sizes 1½"-14", and 20" Aluminum encapsulated with PUR-rubber compound, for sizes 16" and 24" |
| Bonnet Bolts, Nuts | Zinc Plated Steel |
| Bonnet Gasket, | ASTM D2000 Buna "N" nitrile rubber |



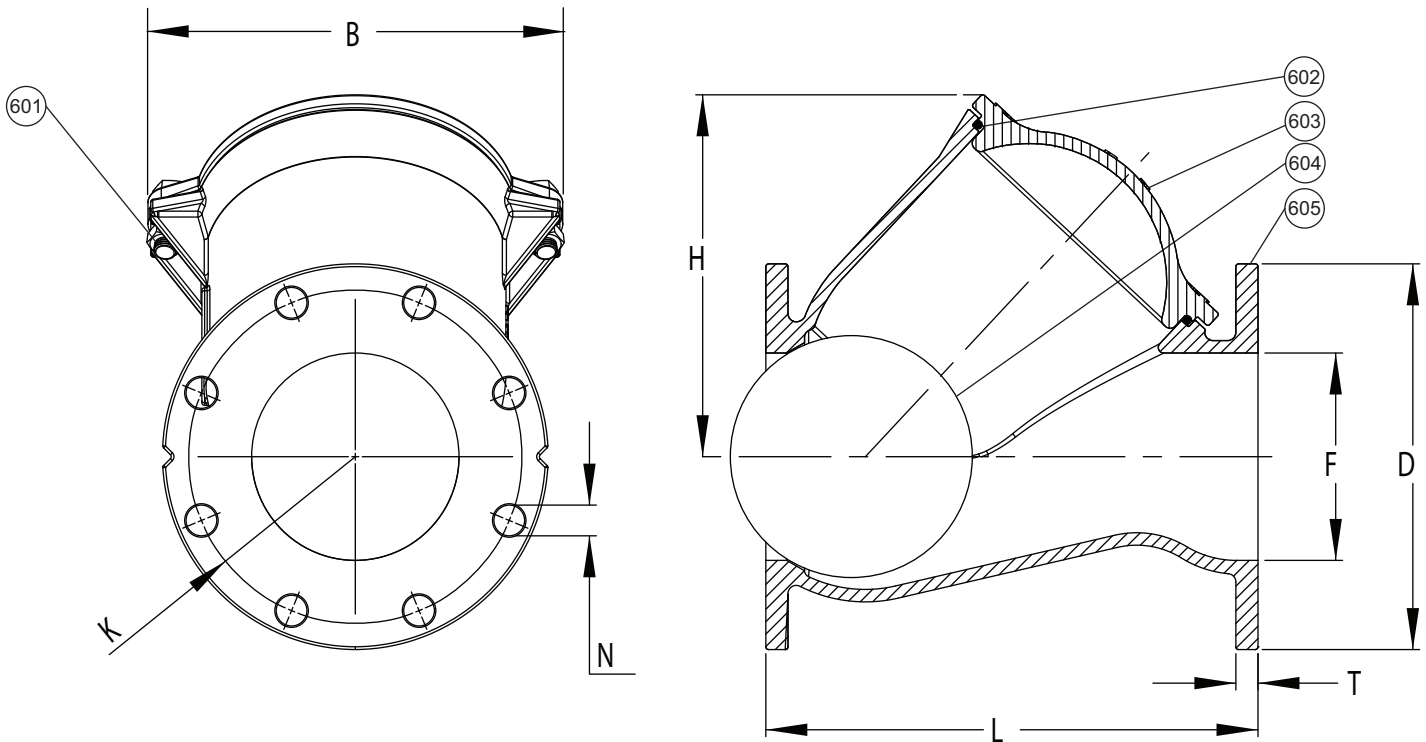
HDL BALL CHECK VALVE

**5087
FLxFL**

Flanged x Flanged Ends - Drilled to ASME B16.42 Class 150 - Valve sizes 1 1/2" - 16", 20" & 24"

Component List:

- 601. Bolt, Nut
- 602. Bonnet Gasket
- 603. Bonnet
- 604. Ball
- 605. Body



| Ref No. | Size | B | D | F | H | K | L | N | T | Weight (lbs.) |
|------------|------|--------|--------|--------|--------|--------|--------|-------|-------|---------------|
| 5087A-040z | 1.5" | 5.28" | 5.00" | 1.57" | 3.75" | 3.86" | 6.50" | 0.63" | 0.59" | 14.3 |
| 5087A-050z | 2" | 5.87" | 5.98" | 1.97" | 4.53" | 4.76" | 8.00" | 0.75" | 0.63" | 16.5 |
| 5087A-065z | 2.5" | 6.61" | 7.10" | 2.56" | 5.31" | 5.50" | 8.50" | 0.75" | 0.71" | 26.5 |
| 5087A-080z | 3" | 7.64" | 7.52" | 3.15" | 6.30" | 5.98" | 9.50" | 0.75" | 0.75" | 29 |
| 5087A-100z | 4" | 8.75" | 9.00" | 3.94" | 7.87" | 7.52" | 11.50" | 0.75" | 0.75" | 40 |
| 5087A-150z | 6" | 11.80" | 10.98" | 5.90" | 10.24" | 9.50" | 14.00" | 0.88" | 0.63" | 86 |
| 5087A-200z | 8" | 12.36" | 13.40" | 7.87" | 13.20" | 11.73" | 19.50" | 0.88" | 0.79" | 150 |
| 5087A-250z | 10" | 15.60" | 15.98" | 9.84" | 16.14" | 14.25" | 24.50" | 1.00" | 0.87" | 247 |
| 5087A-300z | 12" | 21.73" | 19.00" | 11.81" | 19.30" | 17.00" | 27.50" | 1.00" | 0.97" | 359 |
| 5087A-350z | 14" | 25.67" | 20.98" | 13.78" | 23.23" | 18.70" | 31.00" | 1.10" | 0.97" | 637 |
| 5087A-400z | 16" | 27.00" | 23.50" | 15.75" | 29.72" | 21.26" | 36.00" | 1.13" | 0.97" | 917 |
| 5087A-450z | 20" | 34.10" | 27.50" | 19.69" | 36.60" | 25.00" | 43.30" | 1.30" | 1.04" | 1570 |
| 5087A-500z | 24" | 39.50" | 32.00" | 23.62" | 39.76" | 29.50" | 51.00" | 1.42" | 1.18" | 2646 |

