

AVK HDPE FUSIBLE BALL VALVE
HDPE fusible ends (IPS, DR 11, standard) - Valve sizes 3/4" - 6"

85/PEBV/DR11
HDPE/BV

Use:
 The AVK series 85/PEBV/DR11, HDPE fusible ball valve, has a body made from 100% high density polyethylene that can be used in a wide range of chemical, fluid, and gas applications. They are designed for quick, direct heat fusion into polyethylene piping systems, providing a leak-free system which requires no additional flange adapters, spacers, back-up rings or hardware.


Tests:
 Every valve is performance tested per ASME B16.40
 Maximum pressure rating gas - 100 PSI
 Maximum pressure rating water - 200 PSI

Features:
 100% HDPE body
 Universal valve suitable for both Gas & Water
 IPS, DR 11, HDPE fusible ends (standard) designed according to ASTM D2513 requirements for gas piping
 Safety connector; when over torqued, no leakage
 Low operating torque
 Double reducer length allows a second electro-fusion weld if the first one fails
 Full bore piggable ball valve without flow reduction

Standard Materials:

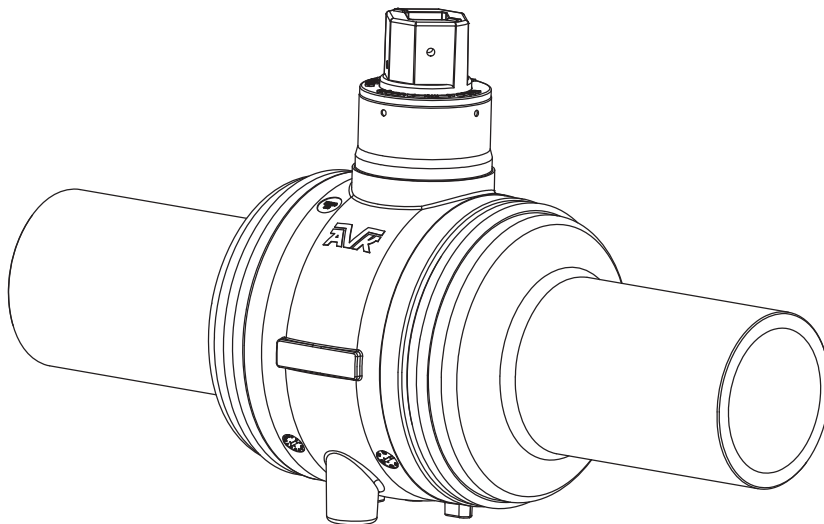
Valve Body, Reducer	HDPE, PE100/4710
Ball, Support Ring, Seat Retainer	
Stem	POM
Seat, O-rings	NBR-70
Ball Seat	
Operating Nut/Connector	PA-GF

Approvals:
 Certified to: ANSI/NSF 61



Polyethylene materials meet ASTM D2513 requirements for gas piping

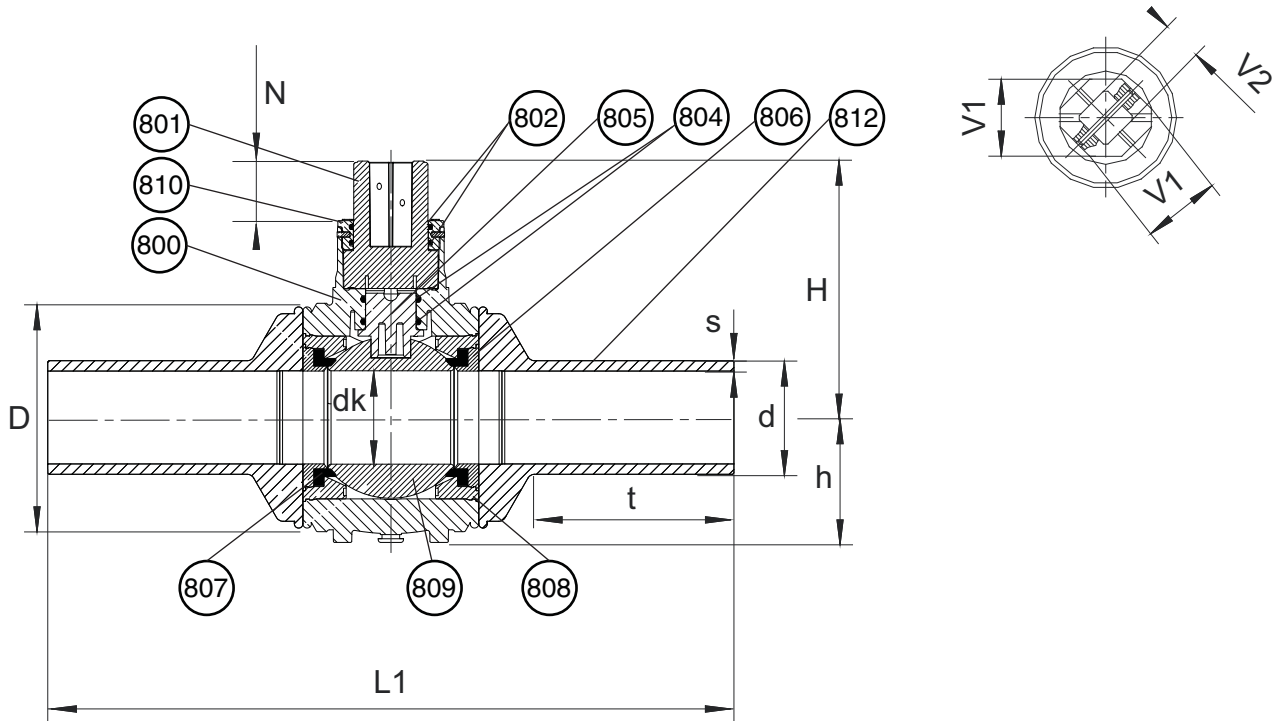
Meets or exceeds ASME B16.40 and CFR 49 part 192 requirements for gas distribution



AVK HDPE FUSIBLE BALL VALVE
 HDPE fusible ends (IPS, DR 11, standard) - Valve sizes 3/4" - 6"

85/PEBV/DR11
HDPE/BV

Components				
800. Valve Body	801. Operating Nut	802. Upper O-Rings	804. Lower O-rings	805. Stem
806. Support Ring	807. Ball Seat	808. Seat Retainer	809. Ball	810. Bearing Ring
812. Reducer				



Ref No.	Size	D	d	dk	H	h	L1	N	s	t	V1	V2	Weight (lbs.)
85-025-PEBV-DR11	3/4"	3.45"	1.05"	0.94"	6.98"	1.05"	12.20"	1.58"	0.12"	3.31"	1.95"	0.80"	2
85-025-PEBV-DR11	1"	3.95"	1.32"	1.26"	7.32"	1.32"	12.26"	1.58"	0.12"	3.54"	1.95"	0.80"	2.5
85-040-PEBV-DR11	1.5"	4.54"	1.90"	1.58"	7.62"	1.90"	14.49"	1.58"	0.17"	4.48"	1.95"	0.80"	3
85-050-PEBV-DR11	2"	5.46"	2.38"	1.97"	8.78"	2.38"	17.27"	1.58"	0.22"	5.03"	1.95"	1.00"	6
85-080-PEBV-DR11	3"	7.27"	3.50"	2.91"	10.24"	3.50"	21.41"	1.58"	0.32"	6.22"	1.95"	1.00"	11
85-100-PEBV-DR11	4"	8.14"	4.50"	3.39"	10.40"	4.50"	23.00"	1.58"	0.41"	6.56"	1.95"	1.00"	15
85-150-PEBV-DR11	6"	11.20"	6.63"	4.72"	12.49"	6.63"	27.94"	1.58"	0.60"	7.81"	1.95"	1.00"	37

