

AMERICAN AVK TIMESAVER™ HDPE FUSIBLE BALL VALVE
 HDPE fusible ends (IPS, DR 11, standard) - Valve sizes 3/4" - 6"

85/PEBV/DR11
HDPE/BV

Use:
 The AVK series 85/PEBV/DR11, TIMESAVER™ HDPE fusible ball valve, has a body made from 100% high density polyethylene that can be used in a wide range of chemical, fluid, and gas applications. They are designed for quick, direct heat fusion into polyethylene piping systems, providing a leak-free system which requires no additional flange adapters, spacers, back-up rings or hardware.

Tests:
 Every valve is performance tested per ASME B16.40
 Maximum pressure rating gas - 128 PSI
 Maximum pressure rating water - 200 PSI


Features:
 100% HDPE body
 Universal valve suitable for both Gas & Water
 IPS, DR 11, HDPE fusible ends (standard)
 Safety connector; when over torqued, no leakage
 Low operating torque
 Double reducer length allows a second electro-fusion weld if the first one fails
 Full bore piggable ball valve without flow reduction

Standard Materials:


Valve Body, Reducer	HDPE, PE100/4710
Ball, Support Ring, Seat Retainer	
Stem	POM
Seat, O-rings	NBR-70
Ball Seat	
Operating Nut/Connector	PA-GF

Optional Extras:
 Stem extensions
 Levers
 Support base up to 3" size

Approvals:
 Certified to: ANSI/NSF 61, ANSI/NSF 372

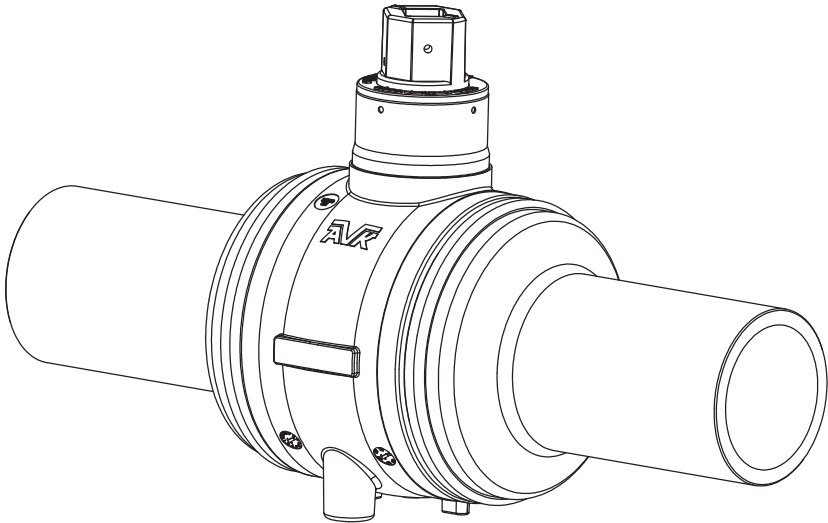


Certified to
NSF/ANSI 61



Certified to
NSF/ANSI 372

Polyethylene materials meet ASTM D2513 requirements for gas piping

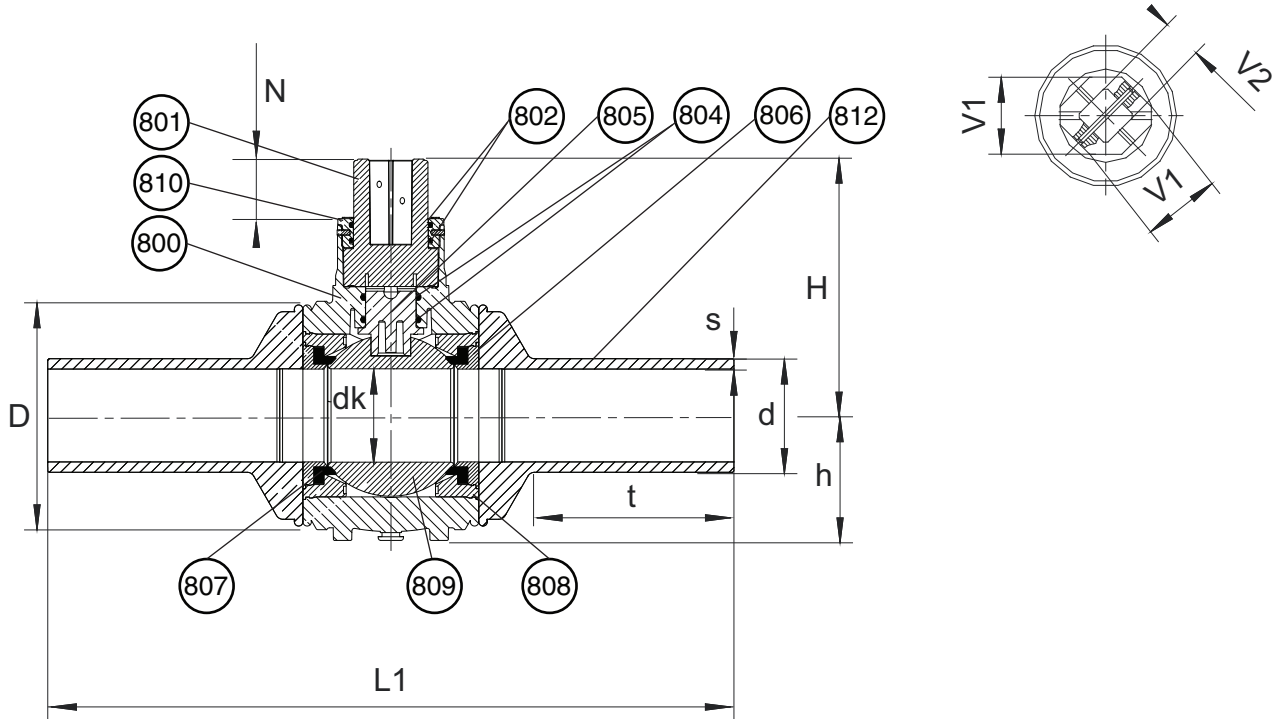


AMERICAN AVK TIMESAVER™ HDPE FUSIBLE BALL VALVE
 HDPE fusible ends (IPS, DR 11, standard) - Valve sizes ¾" - 6"

85/PEBV/DR11
HDPE/BV

Components

800. Valve Body	801. Operating Nut	802. Upper O-Rings	804. Lower O-rings	805. Stem
806. Support Ring	807. Ball Seat	808. Seat Retainer	809. Ball	810. Bearing Ring
812. Reducer				



Ref No.	Size	D	d	dk	H	h	L1	N	s	t	V1	V2	Weight (lbs.)
85-025-PEBV-DR11	¾"	3.45"	1.05"	0.94"	6.98"	1.05"	12.20"	1.58"	0.12"	3.31"	1.95"	0.80"	2
85-025-PEBV-DR11	1"	3.95"	1.32"	1.26"	7.32"	1.32"	12.26"	1.58"	0.12"	3.54"	1.95"	0.80"	2.5
85-040-PEBV-DR11	1.5"	4.54"	1.90"	1.58"	7.62"	1.90"	14.49"	1.58"	0.17"	4.48"	1.95"	0.80"	3
85-050-PEBV-DR11	2"	5.46"	2.38"	1.97"	8.78"	2.38"	17.27"	1.58"	0.22"	5.03"	1.95"	1.00"	6
85-080-PEBV-DR11	3"	7.27"	3.50"	2.91"	10.24"	3.50"	21.41"	1.58"	0.32"	6.22"	1.95"	1.00"	11
85-100-PEBV-DR11	4"	8.14"	4.50"	3.39"	10.40"	4.50"	23.00"	1.58"	0.41"	6.56"	1.95"	1.00"	15
85-150-PEBV-DR11	6"	11.20"	6.63"	4.72"	12.49"	6.63"	27.94"	1.58"	0.60"	7.81"	1.95"	1.00"	37

