

# AMERICAN AVK DOUBLE ECCENTRIC BUTTERFLY VALVE

766/BFV/ROT/GB

Resilient Seated - 150 PSI rated working pressures to AWWA C504, ABOVE GROUND

MJxMJ

Mechanical Joint Ends - Valve Sizes 24" - 48"

### Use:

For water to maximum 160°F.

### Tests:

Hydraulic tests:

150 PSI working pressure

Shell Test: 300 PSI

Seat Test: 150 PSI\*

\* Single direction standard. Bi-directional testing available for additional fee.

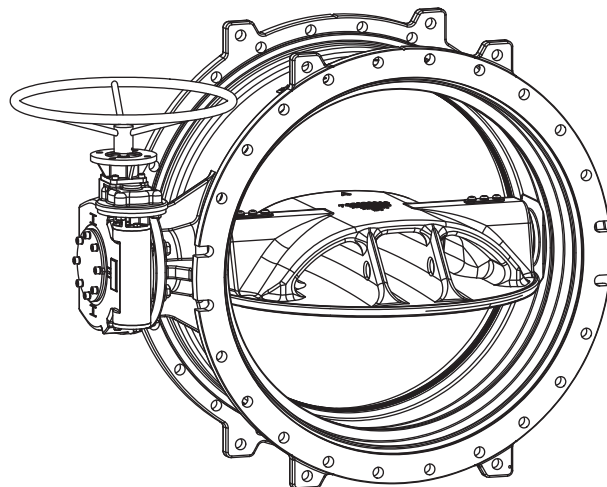
### Approvals:

Certified to: ANSI/NSF 61, ANSI/NSF 372



### Standard Materials:

Body, Disc, End Plate	Ductile iron ASTM A536
Disc Ring	316 stainless steel
Disc Cover	420 stainless steel
Dowel Pins	431 stainless steel
Coating	AWWA C550 Epoxy
Stems	150 PSI - 431 stainless steel 250 PSI - 17-4PH stainless steel
Bushings	Copper alloy ASTM B505
Hardware	304 stainless steel
Rubber Disc Seal, Disc Gasket, Misc. O-rings	EPDM rubber
Cover Plate O-ring	ASTM D2000 Buna "N" nitrile rubber
Bearings	Steel with PTFE
Seal House	Aluminum Bronze



# AMERICAN AVK DOUBLE ECCENTRIC BUTTERFLY VALVE

766/BFV/ROT/GB

Resilient Seated - 150 PSI rated working pressures to AWWA C504, ABOVE GROUND

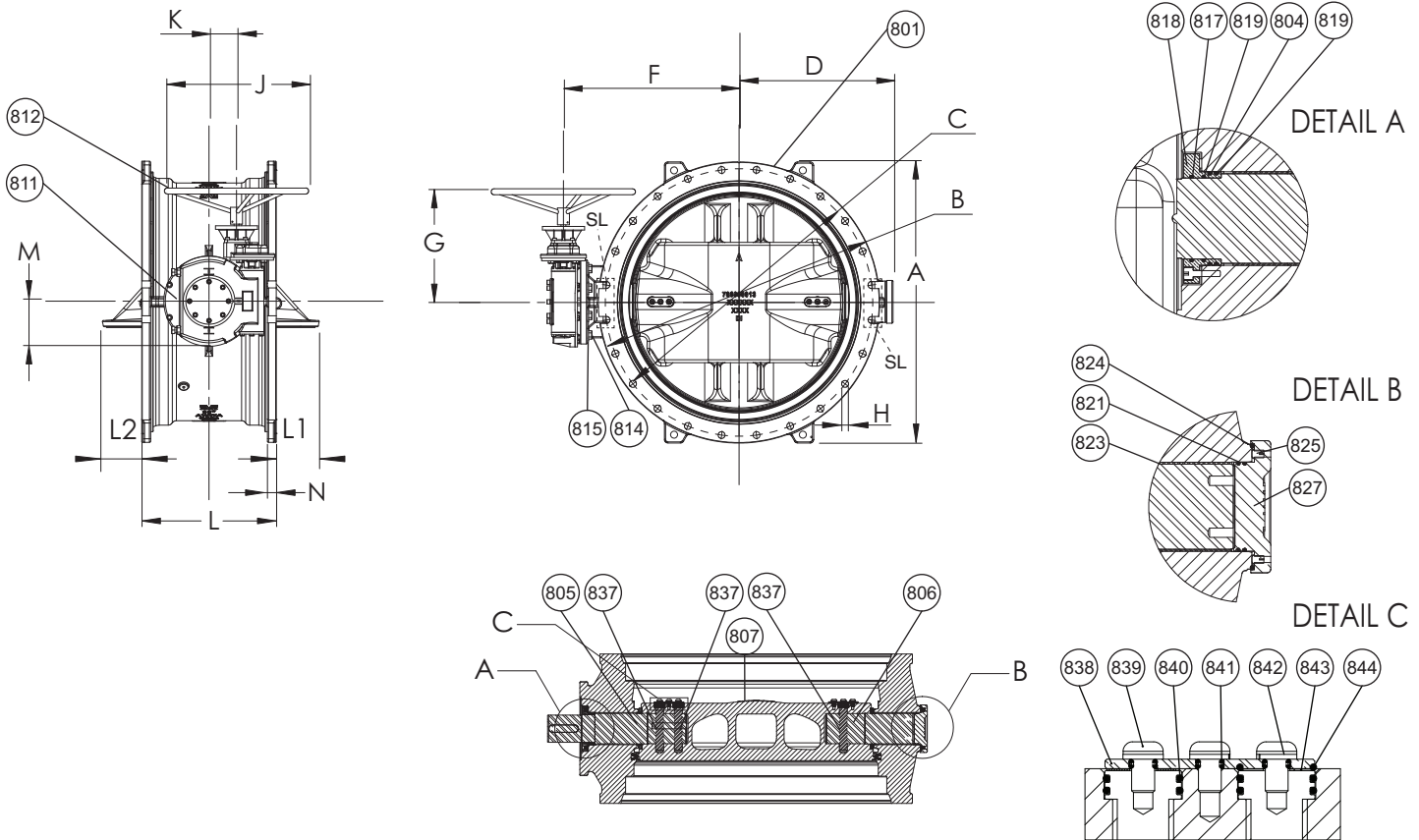
MJxMJ

Mechanical Joint Ends - Valve Sizes 24" - 48"

### Component List:

801. Body	815. Gearbox Washer	825. End Plate	838. Security Plate
804. Upper Shaft O-ring	817. Stem Plate Retaining Screws	826. End Plate Washers	839. Security Plate Screw
805. Drive Shaft	818. Stem Plate	827. End Plate Bolts	840. Wedge Pin O-ring
806. Stub Shaft	819. O-ring Retainer	828. Stem Plug O-ring	841. Security Plate O-ring
807. Disc	820. Stem-Disc Screws	829. Stem Plug	842. Lock Washer
810. Gearbox Key*	821. Axial Bearing	835. Wrench Nut	843. Security Plate Washer
811. Gearbox	822. Bearing Adjustment Screws*	836. Wrench Nut Set Screw*	844. Wedge Pin Top O-ring
814. Gearbox Bolt	824. End Plate O-ring	837. Wedge Pin	

\* Not shown



Ref No.	Size	A	B	C	D	F	G	H	J	K	L	L1	L2	M	N	TURNS TO OPEN	NO. OF HL/SL*	SHPG.	WT. LBS.
766-0600-MM-RGB	24"	31.93"	31.54"	30.00"	17.47"	24.93"	16.53"	0.87"	23.62"	5.35"	17.00"	3.09"	3.15"	5.61"	1.02"	35	12/4	940	
766-0750-MM-RGB	30"	39.53"	39.12"	36.88"	20.90"	27.48"	16.53"	1.14"	23.62"	7.00"	20.00"	4.39"	3.54"	7.38"	1.31"	50	16/4	1642	
766-0900-MM-RGB	36"	46.38"	46.00"	43.75"	25.04"	33.82"	22.72"	1.14"	23.62"	8.28"	22.00"	6.38"	4.00"	8.86"	1.45"	150	20/4	2524	
766-1050-MM-RGB	42"	53.50"	53.11"	50.62"	28.80"	37.62"	22.72"	1.38"	23.62"	8.28"	22.00"	9.41"	9.64"	8.86"	1.45"	185	24/4	3753	
766-1200-MM-RGB	48"	60.39"	60.00"	57.50"	32.72"	44.45"	24.41"	1.38"	23.62"	9.69"	24.00"	11.48"	11.72"	10.24"	1.45"	218	28/4	5065	

\* HL/SL - Holes/Slots per flange

