

AMERICAN AVK DOUBLE ECCENTRIC BUTTERFLY VALVE

766/BFV/ROT/GB

Resilient Seated - 150 PSI rated working pressures to AWWA C504, ABOVE GROUND

FLxFL

Flanged Ends to ANSI B16.42 class 150 - Valve Sizes 24" - 48"

Use:

For water to maximum 160°F.

Tests:

Hydraulic tests:

150 PSI working pressure

Shell Test: 300 PSI

Seat Test: 150 PSI*

* Single direction standard. Bi-directional testing available for additional fee.

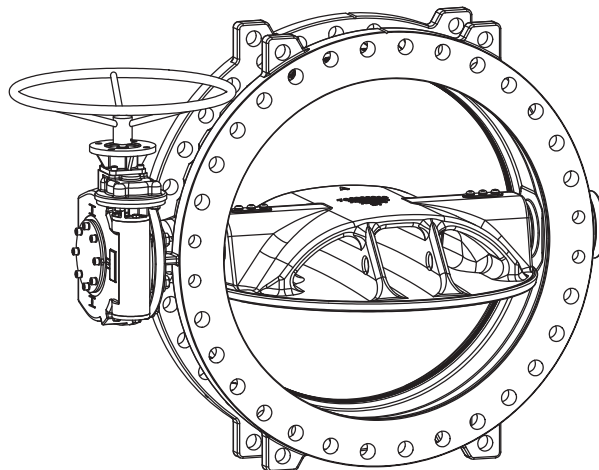
Approvals:

Certified to: ANSI/NSF 61, ANSI/NSF 372



Standard Materials:

Body, Disc, End Plate	Ductile iron ASTM A536
Disc Ring	316 stainless steel
Disc Cover	420 stainless steel
Dowel Pins	431 stainless steel
Coating	AWWA C550 Epoxy
Stems	150 PSI - 431 stainless steel 250 PSI - 17-4PH stainless steel
Bushings	Copper alloy ASTM B505
Hardware	304 stainless steel
Rubber Disc Seal, Disc Gasket, Misc. O-rings	EPDM rubber
Cover Plate O-ring	ASTM D2000 Buna "N" nitrile rubber
Bearings	Steel with PTFE
Seal House	Aluminum Bronze



AMERICAN AVK DOUBLE ECCENTRIC BUTTERFLY VALVE

766/BFV/ROT/GB

Resilient Seated - 150 PSI rated working pressures to AWWA C504, ABOVE GROUND

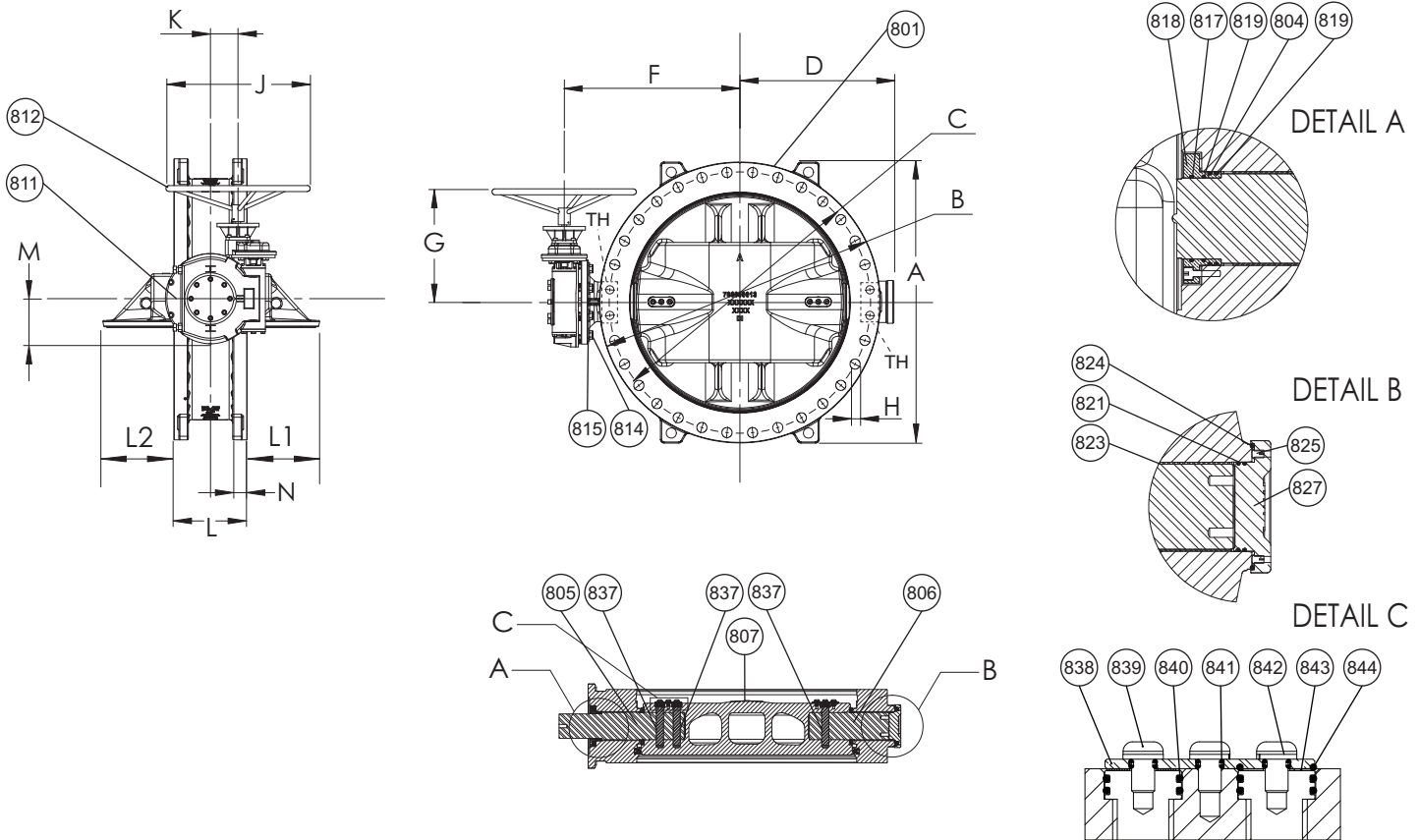
FLxFL

Mechanical Joint Ends - Valve Sizes 24" - 48"

Component List:

801. Body	814. Gearbox Bolt	822. Bearing Adjustment Screws*	838. Security Plate
804. Upper Shaft O-ring	815. Gearbox Washer	824. End Plate O-ring	839. Security Plate Screw
805. Drive Shaft	816. Hand Wheel Set Screw*	825. End Plate	840. Wedge Pin O-ring
806. Stub Shaft	817. Stem Plate Retaining Screws	826. End Plate Washers	841. Security Plate O-ring
807. Disc	818. Stem Plate	827. End Plate Bolts	842. Lock Washer
810. Gearbox Key*	819. O-ring Retainer	828. Stem Plug O-ring	843. Security Plate Washer
811. Gearbox	820. Stem-Disc Screws	829. Stem Plug	844. Wedge Pin Top O-ring
812. Hand Wheel	821. Axial Bearing	837. Wedge Pin	

* Not shown



Ref No.	Size	A	B	C	D	F	G	H	J	K	L	L1	L2	M	N	TURNS		NO. OF	SHPG.
																TO OPEN	HL/TH*		
766-0600-FF-RGB	24"	32.40"	32.00"	29.50"	17.47"	24.93"	16.53"	1.38"	23.62"	5.35"	8.00"	7.60"	7.84"	5.61"	1.88"	35	16/4	936	
766-0750-FF-RGB	30"	39.13"	38.74"	36.00"	20.90"	27.48"	16.53"	1.38"	23.62"	7.00"	12.00"	8.39"	8.63"	7.38"	2.13"	50	24/4	1684	
766-0900-FF-RGB	36"	46.38"	45.98"	42.75"	25.04"	33.82"	22.72"	1.65"	23.62"	8.28"	12.00"	11.39"	11.62"	8.86"	2.38"	150	28/4	2490	
766-1050-FF-RGB	42"	53.39"	52.99"	49.50"	28.80"	37.62"	22.72"	1.65"	23.62"	8.28"	12.00"	14.41"	14.65"	8.86"	2.63"	185	32/4	3715	
766-1200-FF-RGB	48"	59.84"	59.49"	56.00"	32.72"	44.45"	24.41"	1.65"	23.62"	9.69"	15.00"	15.60"	16.62"	10.24"	2.75"	218	40/4	5029	

* HL/TH - Holes/Threaded per flange - sizes 0600-0750 = 1 1/4" x7 threads - sizes 0900-1200 = 1/12" x 6 threads

