

AMERICAN AVK DOUBLE ECCENTRIC BUTTERFLY VALVE 766/BFV/ROT/BG/GB

Resilient Seated - 150 PSI rated working pressures to AWWA C504, BELOW GROUND FLxFL

Mechanical Joint Ends - Valve Sizes 24" - 48"

Use:

For water to maximum 160°F.

Tests:

Hydraulic tests:

150 PSI working pressure

Shell Test: 300 PSI

Seat Test: 150 PSI*

* Single direction standard. Bi-directional testing available for additional fee.

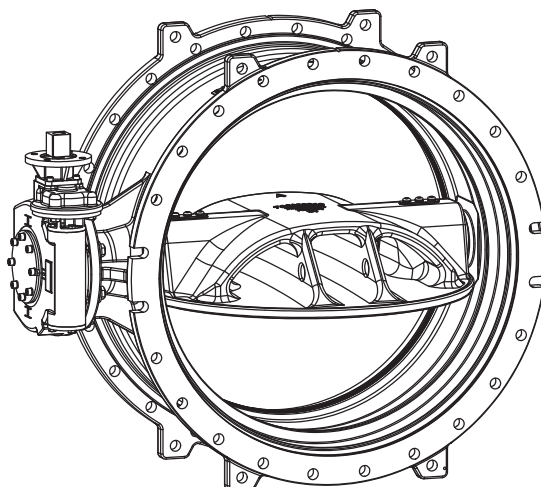
Approvals:

Certified to: ANSI/NSF 61, ANSI/NSF 372



Standard Materials:

| | |
|---|---|
| Body, Disc, End Plate | Ductile iron ASTM A536 |
| Disc Ring | 316 stainless steel |
| Disc Cover | 420 stainless steel |
| Dowel Pins | 431 stainless steel |
| Coating | AWWA C550 Epoxy |
| Stems | 150 PSI - 431 stainless steel 250 PSI - 17-4PH stainless steel |
| Bushings | Copper alloy ASTM B505 |
| Hardware | 304 stainless steel |
| Rubber Disc Seal, Disc Gasket, Misc. O-rings | EPDM rubber |
| Cover Plate O-ring | ASTM D2000 Buna "N" nitrile rubber |
| Bearings | Steel with PTFE |
| Seal House | Aluminum Bronze |



AMERICAN AVK DOUBLE ECCENTRIC BUTTERFLY VALVE 766/BFV/ROT/BG/GB

Resilient Seated - 150 PSI rated working pressures to AWWA C504, BELOW GROUND

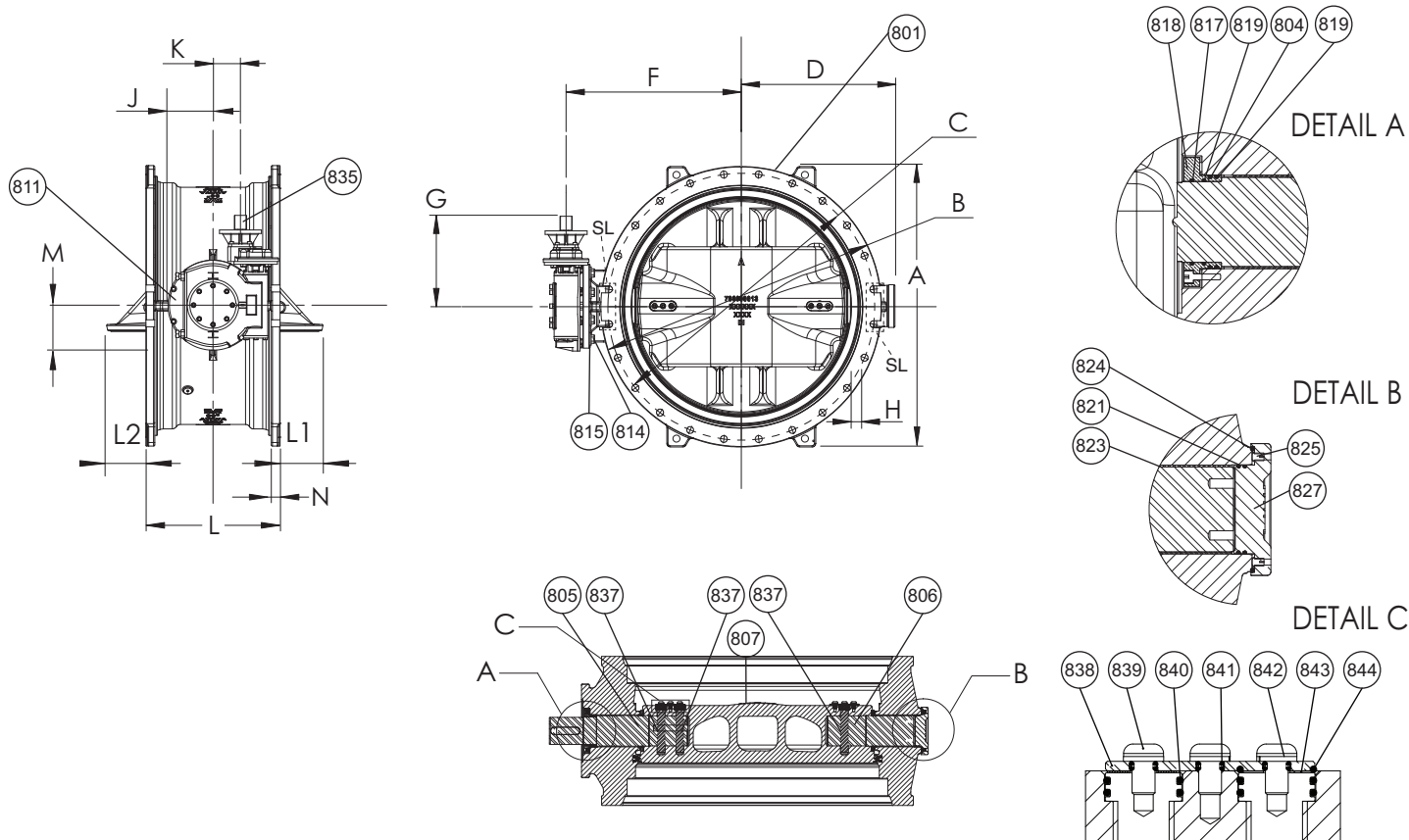
MJxMJ

Mechanical Joint Ends - Valve Sizes 24" - 48"

Component List:

| | | | |
|-------------------------|----------------------------------|----------------------------|----------------------------|
| 801. Body | 815. Gearbox Washer | 825. End Plate | 838. Security Plate |
| 804. Upper Shaft O-ring | 817. Stem Plate Retaining Screws | 826. End Plate Washers | 839. Security Plate Screw |
| 805. Drive Shaft | 818. Stem Plate | 827. End Plate Bolts | 840. Wedge Pin O-ring |
| 806. Stub Shaft | 819. O-ring Retainer | 828. Stem Plug O-ring | 841. Security Plate O-ring |
| 807. Disc | 820. Stem-Disc Screws | 829. Stem Plug | 842. Lock Washer |
| 810. Gearbox Key* | 821. Axial Bearing | 835. Wrench Nut | 843. Security Plate Washer |
| 811. Gearbox | 822. Bearing Adjustment Screws* | 836. Wrench Nut Set Screw* | 844. Wedge Pin Top O-ring |
| 814. Gearbox Bolt | 824. End Plate O-ring | 837. Wedge Pin | |

* Not shown



| Ref No. | Size | A | B | C | D | F | G | H | J | K | L | L1 | L2 | M | N | TURNS TO OPEN | NO. OF HL/SL* | SHPG. WT. LBS. |
|--------------------|------|--------|--------|--------|--------|--------|--------|-------|--------|-------|--------|--------|--------|--------|-------|---------------|---------------|----------------|
| | | | | | | | | | | | | | | | | | | |
| 766-0600-FF-BG-RGB | 24" | 31.93" | 31.54" | 30.00" | 17.47" | 24.93" | 14.33" | 0.87" | 5.61" | 5.35" | 17.00" | 3.09" | 3.15" | 5.61" | 1.02" | 35 | 12/4 | 944 |
| 766-0750-FF-BG-RGB | 30" | 39.53" | 39.12" | 36.88" | 20.90" | 27.48" | 14.33" | 1.14" | 7.38" | 7.00" | 20.00" | 4.39" | 3.54" | 7.38" | 1.31" | 50 | 16/4 | 1667 |
| 766-0900-FF-BG-RGB | 36" | 46.38" | 46.00" | 43.75" | 25.04" | 33.82" | 20.51" | 1.14" | 8.86" | 8.28" | 22.00" | 6.38" | 4.00" | 8.86" | 1.45" | 150 | 20/4 | 2557 |
| 766-1050-FF-BG-RGB | 42" | 53.50" | 53.11" | 50.62" | 28.80" | 37.62" | 20.51" | 1.38" | 8.86" | 8.28" | 22.00" | 9.41" | 9.64" | 8.86" | 1.45" | 185 | 24/4 | 3790 |
| 766-1200-FF-BG-RGB | 48" | 60.39" | 60.00" | 57.50" | 32.72" | 44.45" | 22.24" | 1.38" | 10.24" | 9.69" | 24.00" | 11.48" | 11.72" | 10.24" | 1.45" | 218 | 28/4 | 5111 |

* HL/SL- Holes/Slotted per flange

