

AMERICAN AVK RESILIENT SEATED GATE VALVE, 250 PSI

66/EEN

Meets AWWA C515 where applicable (NRS)

PEXPE

- DIPS & IPS Polyethylene Pipe Ends - Valve Sizes 2" through 16"

Use:

For water and neutral liquids to maximum 160°F.

Tests:

Hydraulic test to AWWA C515:

Shell Test: 500 PSI

Seat Test: 250 PSI

Operating Torque Test

Optional Materials:

Stem Bronze

Anti Friction Washers Polyamide - W/ Bronze stem only

Bolts Stainless Steel - 316

Pipe 2"- 3"
SDR 9, SDR 11, SDR 13.5, SDR 17
4"-12"
SDR 9, SDR 11, SDR 13.5
DIPS or IPS. Suitable for butt fusion
or electro fusion joining. Pipe stubs
to AWWA C906.
**Specify IPS or DIPS, and
SDR when placing order.**

Standard Materials:

Body, Gland Flange Ductile iron ASTM A536
Bonnet

Coating Electrostatically applied fusion-
bonded epoxy-resin

Wrench Nut Ductile iron ASTM A536
- painted black for open left,
red for open right.

Stem Standard: Stainless steel ASTM A582

Wedge Ductile iron ASTM A536 encapsulated
with EPDM-rubber compound

Wedge Nut,
Thrust Collar Bronze

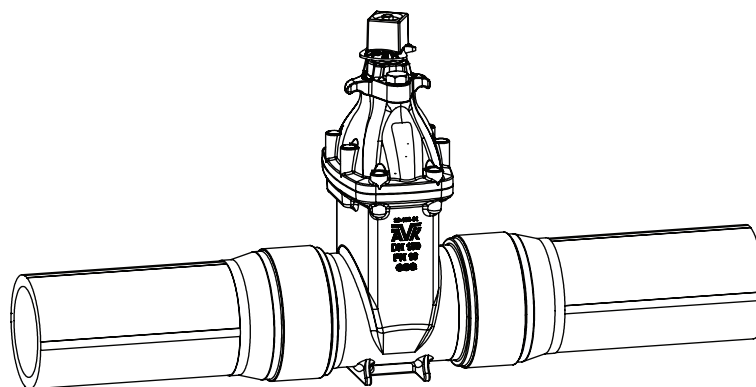
Bolts Stainless Steel -304 sealed with
hot melt

Bonnet Gasket,
Wiper Ring,
O-Ring Stem Seals,
O-Ring Gland Seal ASTM D2000 Buna "N" nitrile
rubber

Pipe PE 3408 or PE 4710. Suitable for butt
fusion or electro fusion joining. Pipe
stubs to AWWA C906

Approvals:

Certified to:
ANSI/NSF 61, ANSI/NSF 372

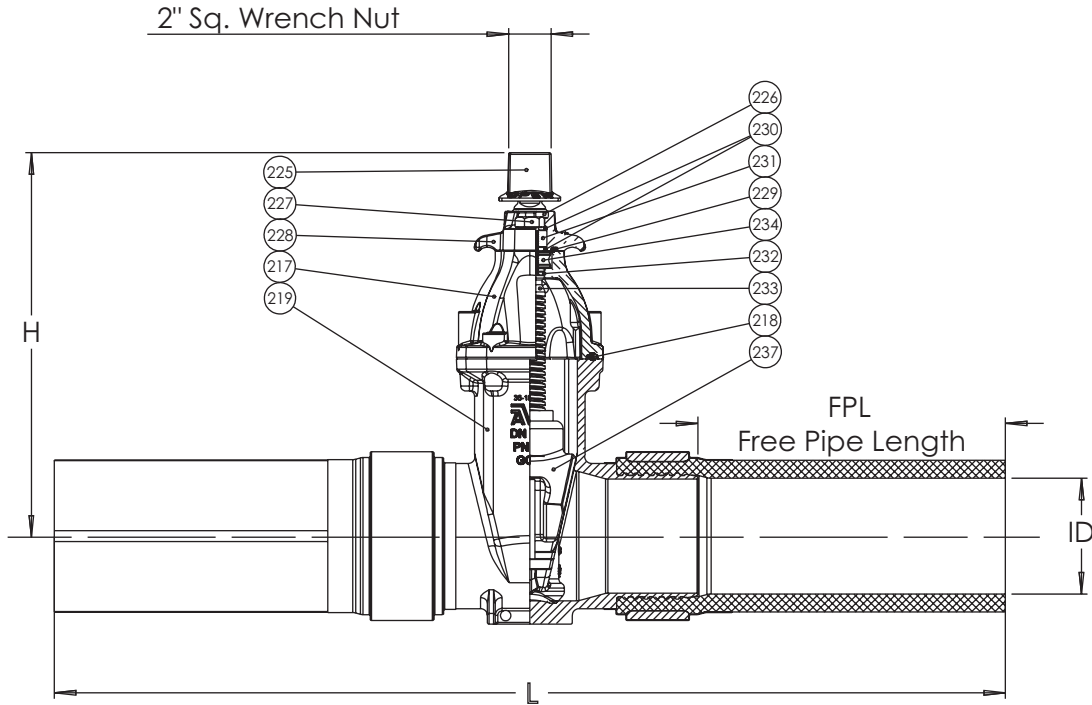


AMERICAN AVK RESILIENT SEATED GATE VALVE, 250 PSI
Meets AWWA C515 where applicable (NRS)
- DIPS & IPS Polyethylene Pipe Ends - Valve Sizes 2" through 16"

66/EEN
PEXPE

Component List:

217. Bonnet	227. Gland Flange Bolt	232. Lower Stem Seal O-Ring
218. Bonnet Gasket	228. Gland Flange	233. NRS Stem
219. Body	229. Gland O-Ring	234. Thrust Collar
225. Wrench Nut	230. Upper Stem Seal O-Rings	237. Wedge
226. Wiper Ring	231. Stem Seal Bushing	



Ref. nos.	Size	H	L	FPL Free Pipe Length	Turns to open	Wt. Lbs.
66-050-EEN	2"	11.50"	19.50"	5.10"	11	20
66-080-EEN	3"	15.50"	19.75"	5.20"	12	36
66-100-EEN	4"	17.50"	41.93"	14.92"	14	56
66-150-EEN	6"	22.00"	43.35"	14.00"	21	114
66-200-EEN	8"	27.50"	44.06"	13.04"	26	175
66-250-EEN	10"	31.50"	44.96"	11.25"	32	227
66-300-EEN	12"	37.00"	47.09"	11.14"	38	335
66-350-EEN	14"	XX.XX"	XX.XX"	XX.XX"	XX	XXX
66-400-EEN	16"	XX.XX"	XX.XX"	XX.XX"	XX	XXX

ID*: Refer to Pipe Manufacturers reference tables

