

AMERICAN AVK RESILIENT SEATED DUCTILE IRON GATE VALVE
250 PSI, Tested to AWWA C515 (NRS)
Push-on Joint End x Push-on Joint End (TYTON) - Valve sizes 4" - 12"

65/PPN
POxPO

Use:

For water and neutral liquids to maximum 160°F.

Tests:

Hydraulic test:

Shell Test: 500 PSI

Seat Test: 250 PSI

Operating Torque Test

Optional Materials:

Stem Low zinc bronze
 ASTM B763

Anti Friction Washers Polyamide

Bolting ASTM A164 zinc coated steel,
 Stainless Steel - 316

Standard Materials:

Body, Bonnet, Ductile iron ASTM A536
 Gland Flange, (Wrench Nut-painted black for
 Wrench Nut open left, red for open right)

Coating VeloCorr™ Coating; fusion-bonded
 epoxy-resin process exceeds
 AWWA C550. Certified
 Holiday-Free, interior coating

Stem Standard: Stainless steel
 ASTM A582

Wedge Ductile iron ASTM A536
 encapsulated with EPDM-rubber
 compound

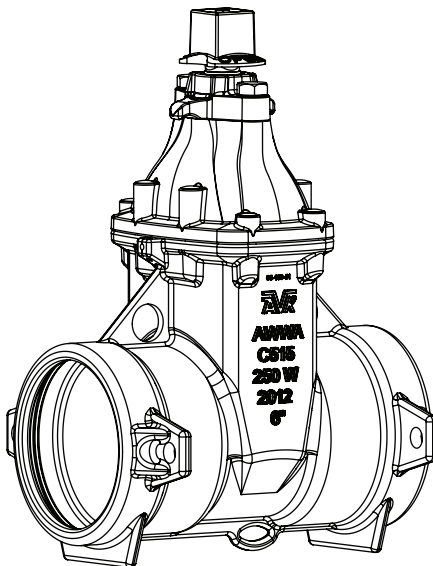
Wedge Nut, Thrust Collar Bronze
 Bonnet Bolts Stainless Steel - 304
 sealed with hot melt

Gland Bolts Stainless Steel - 304
 Hexagon bolt

Bonnet Gasket, ASTM D2000 Buna "N" nitrile
 Wiper Ring, rubber
 O-Ring Stem Seals,
 O-Ring Gland Seal

Approvals:

Certified to:
 ANSI/NSF 61, ANSI/NSF 372

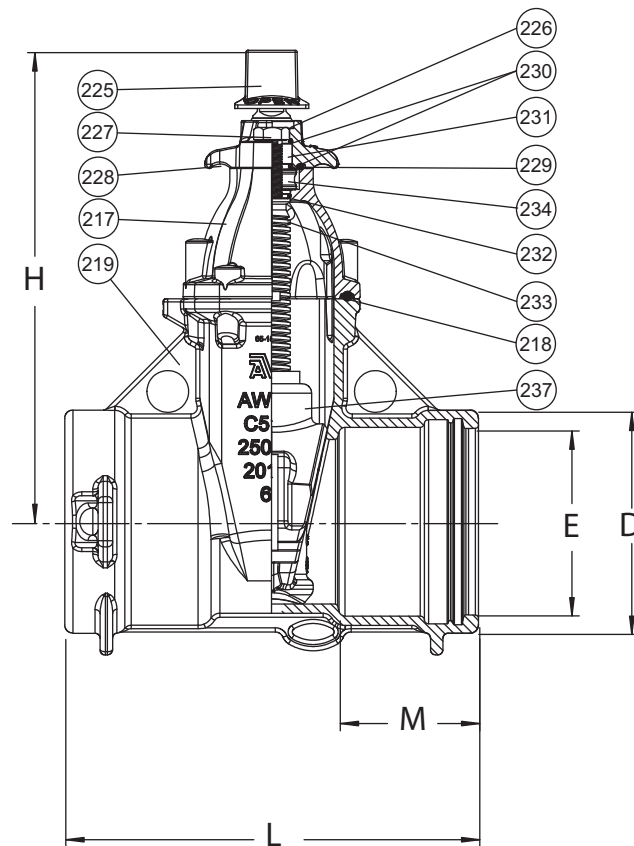


AMERICAN AVK RESILIENT SEATED DUCTILE IRON GATE VALVE
250 PSI, Tested to AWWA C515 (NRS)
Push-on Joint End x Push-on Joint End (TYTON) - Valve sizes 4" - 12"

65/PPN
POxPO

Component List:

- | | | |
|--------------------|------------------------------|-----------------------------|
| 217. Bonnet | 227. Gland Flange Bolt | 232. Lower Stem Seal O-Ring |
| 218. Bonnet Gasket | 228. Gland Flange | 233. NRS Stem |
| 219. Body | 229. Gland O-Ring | 234. Thrust Collar |
| 225. Wrench Nut | 230. Upper Stem Seal O-Rings | 237. Wedge |
| 226. Wiper Ring | 231. Stem Seal Bushing | |



Ref No.	Size	D	E	H	L	M	Turns to Open	Weight (lbs.)
65-100-PPN	4"	6.32"	4.96"	14.25"	11.99"	4.12"	17	56
65-150-PPN	6"	8.44"	7.06"	18.04"	15.63"	5.22"	21	95
65-200-PPN	8"	10.72"	9.22"	22.36"	17.17"	5.63"	27	142
65-250-PPN	10"	12.80"	11.28"	25.39"	17.64"	5.63"	34	212
65-300-PPN	12"	14.96"	13.38"	28.49"	19.21"	5.63"	41	287

