

AMERICAN AVK RESILIENT SEATED DUCTILE IRON GATE VALVE

250 PSI, Tested to AWWA C515 (NRS)

Push-on Joint End (TYTON) x Flanged End to ASME B16.42 Class 150 - Valve sizes 4" - 12"

65/PFN

POxFL

Use:

For water and neutral liquids to maximum 160°F.

Tests:

Hydraulic test:

Shell Test: 500 PSI

Seat Test: 250 PSI

Operating Torque Test

Optional Materials:

Stem Low zinc bronze
ASTM B763

Anti Friction Washers Polyamide

Bolting ASTM A164 zinc coated steel,
Stainless Steel - 316

Standard Materials:

Body, Bonnet, Ductile iron ASTM A536
Gland Flange, (Wrench Nut-painted black for
Wrench Nut open left, red for open right)

Coating VeloCorr™ Coating; fusion-bonded
epoxy-resin process exceeds
AWWA C550. Certified
Holiday-Free, interior coating

Stem Standard: Stainless steel
ASTM A582

Wedge Ductile iron ASTM A536
encapsulated with EPDM-rubber
compound

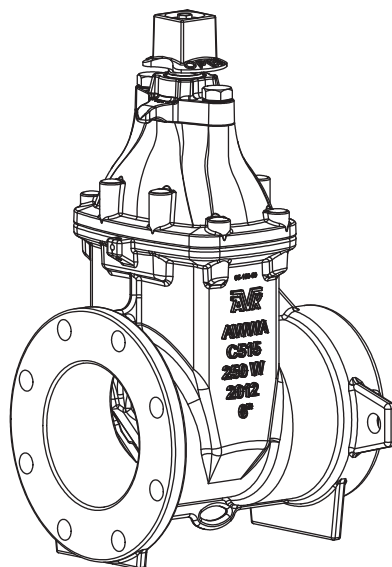
Wedge Nut, Thrust Collar Bronze
Bonnet Bolts Stainless Steel - 304
sealed with hot melt

Gland Bolts Stainless Steel - 304
Hexagon bolt

Bonnet Gasket, ASTM D2000 Buna "N" nitrile
Wiper Ring, rubber
O-Ring Stem Seals,
O-Ring Gland Seal

Approvals:

Certified to:
ANSI/NSF 61, ANSI/NSF 372



AMERICAN AVK RESILIENT SEATED DUCTILE IRON GATE VALVE

65/PFN

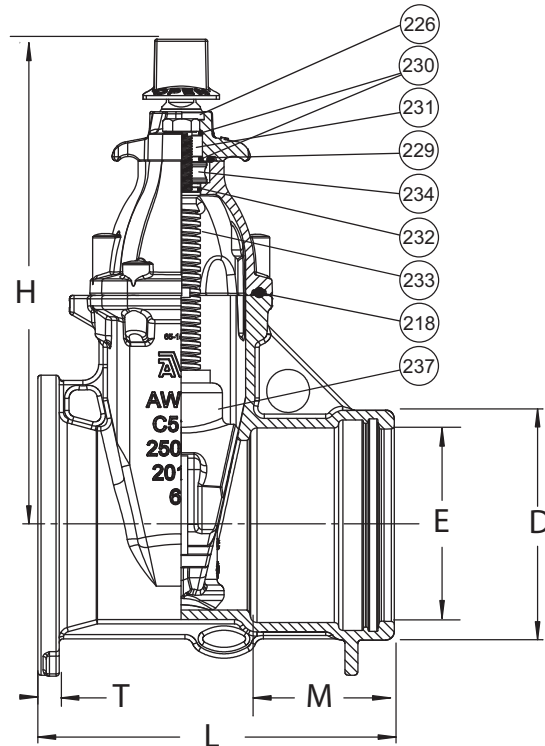
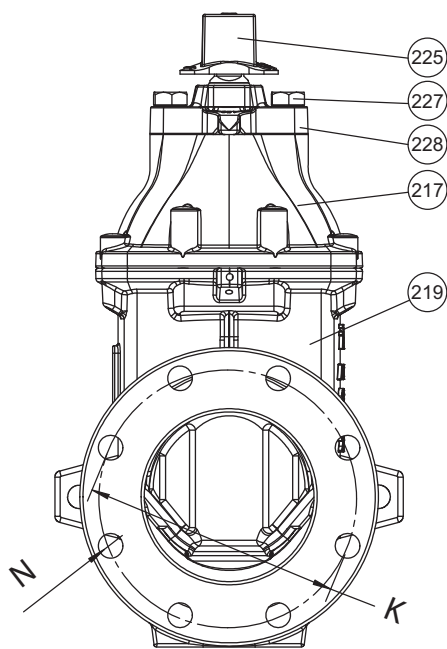
250 PSI, Tested to AWWA C515

POxFL

Push-on Joint End (TYTON) x Flanged End to ASME B16.42 Class 150 - Valve sizes 4" - 12"

Component List:

- | | | |
|--------------------|------------------------------|-----------------------------|
| 217. Bonnet | 227. Gland Flange Bolt | 232. Lower Stem Seal O-Ring |
| 218. Bonnet Gasket | 228. Gland Flange | 233. NRS Stem |
| 219. Body | 229. Gland O-Ring | 234. Thrust Collar |
| 225. Wrench Nut | 230. Upper Stem Seal O-Rings | 237. Wedge |
| 226. Wiper Ring | 231. Stem Seal Bushing | |



Ref No.	Size	D	E	H	K	L	M	N	T	Flange Holes	Turns to Open	Weight (lbs.)
65-100-PFN	4"	6.32"	4.96"	13.82"	7.52"	10.51"	4.12"	0.75"	0.69"	8	17	55
65-150-PFN	6"	8.44"	7.06"	17.80"	9.45"	13.07"	5.22"	0.88"	0.79"	8	21	99
65-200-PFN	8"	10.72"	9.22"	21.83"	11.61"	14.33"	5.63"	0.90"	0.91"	8	27	147
65-250-PFN	10"	13.50"	11.22"	25.06"	14.25"	15.31"	5.63"	1.00"	0.97"	12	34	219
65-300-PFN	12"	14.96"	13.32"	28.10"	17.00"	16.61"	5.63"	1.00"	1.04"	12	41	307

