

AMERICAN AVK RESILIENT SEATED DUCTILE IRON GATE VALVE
250 PSI, Tested to AWWA C515 (NRS)
Mechanical Joint by Flanged Ends to ASME B16.42 Class 150 - Valve Sizes 3" - 12"

65/MFN
MJxFL

Use:

For water and neutral liquids to maximum 160°F.

Tests:

Hydraulic test:

Shell Test: 500 PSI

Seat Test: 250 PSI

Operating Torque Test

Optional Materials:

Stem Low zinc bronze
 ASTM B763

Anti Friction Washers Polyamide

Bolting ASTM A164 zinc coated steel,
 Stainless Steel - 316

Standard Materials:

Body, Bonnet, Ductile iron ASTM A536
 Gland Flange, (Wrench Nut-painted black for
 Wrench Nut open left, red for open right)

Coating VeloCorr™ Coating; fusion-bonded
 epoxy-resin process exceeds
 AWWA C550. Certified
 Holiday-Free, interior coating

Stem Standard: Stainless steel
 ASTM A582

Wedge Ductile iron ASTM A536
 encapsulated with EPDM-rubber
 compound

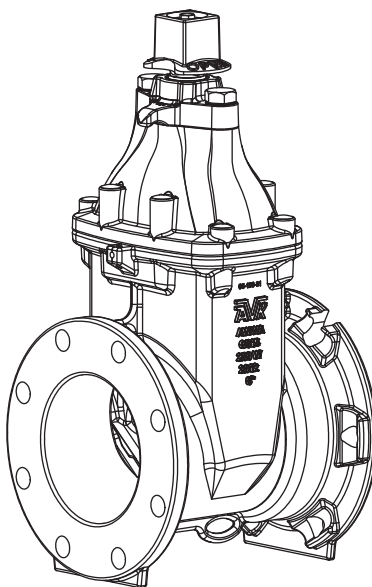
Wedge Nut, Thrust Collar Bronze
 Bonnet Bolts Stainless Steel - 304
 sealed with hot melt

Gland Bolts Stainless Steel - 304
 Hexagon bolt

Bonnet Gasket, ASTM D2000 Buna "N" nitrile
 Wiper Ring, rubber
 O-Ring Stem Seals,
 O-Ring Gland Seal

Approvals:

Certified to:
 ANSI/NSF 61, ANSI/NSF 372

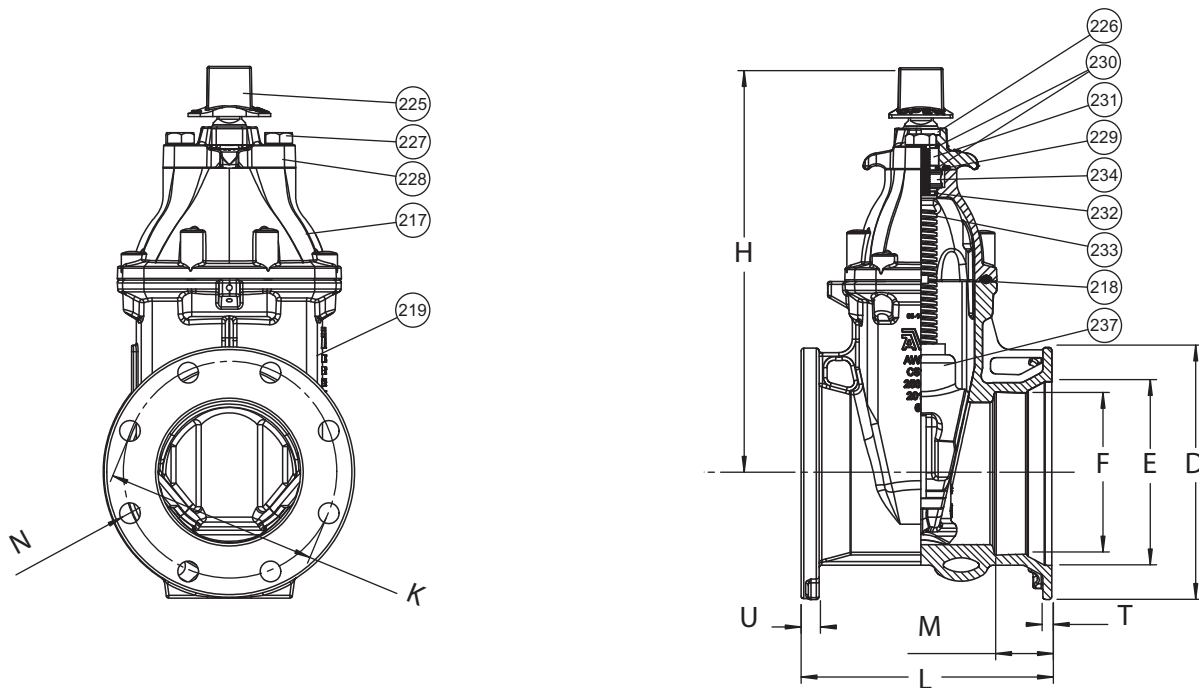


AMERICAN AVK RESILIENT SEATED DUCTILE IRON GATE VALVE
250 PSI, Tested to AWWA C515 (NRS)
Mechanical Joint by Flanged Ends to ASME B16.42, Class 150 - Valve Sizes 3" - 12"

65/MFN
MJxFL

Component List:

217. Bonnet	227. Gland Flange Bolt	232. Lower Stem Seal O-Ring
218. Bonnet Gasket	228. Gland Flange	233. NRS Stem
219. Body	229. Gland O-Ring	234. Thrust Collar
225. Wrench Nut	230. Upper Stem Seal O-Rings	237. Wedge
226. Wiper Ring	231. Stem Seal Bushing	



Ref No.	Size	D	E	F	K	H	L	M	N	T	U	Flange Holes	Turns to Open	Weight (lbs.)
65-080-MFN	3"	7.69"	4.96"	4.08"	6.00"	12.24"	8.25"	2.50	0.75"	0.65"	0.79"	4	15	42
65-100-MFN	4"	9.13"	6.02"	4.90"	7.50"	13.82"	9.50"	2.50	0.75"	0.39"	0.79"	8	17	54
65-150-MFN	6"	11.11"	8.12"	7.00"	9.50"	17.42"	11.00"	2.50	0.88"	0.39"	0.79"	8	21	95
65-200-MFN	8"	13.37"	10.27"	9.15"	11.75"	21.90"	11.50"	2.50	0.88"	0.47"	0.91"	8	27	139
65-250-MFN	10"	15.71"	12.34"	11.20"	14.25"	25.21"	13.00"	2.50	1.00"	0.47"	0.98"	12	34	199
65-300-MFN	12"	17.88"	14.44"	13.30"	17.00"	27.63"	14.00"	2.50	1.00"	0.50"	1.04"	12	41	297

