

**AMERICAN AVK RESILIENT SEATED DUCTILE IRON GATE VALVE**  
**250 PSI, Tested to AWWA C515 (NRS)**  
**Flanged Ends to ASME B16.42 Class 150 - Valve sizes 2.5" - 12"**

**65/FFN**  
**FLxFL**

**Use:**

For water and neutral liquids to maximum 160°F.

**Tests:**

Hydraulic test:

Shell Test: 500 PSI

Seat Test: 250 PSI

Operating Torque Test

**Optional Materials:**

Stem Low zinc bronze  
 ASTM B763

Anti Friction Washers Polyamide

Bolting ASTM A164 zinc coated steel,  
 Stainless Steel - 316

**Standard Materials:**

Body, Bonnet, Ductile iron ASTM A536  
 Gland Flange, (Wrench Nut-painted black for  
 Wrench Nut open left, red for open right)

Coating VeloCorr™ Coating; fusion-bonded  
 epoxy-resin process exceeds  
 AWWA C550. Certified  
 Holiday-Free, interior coating

Stem Standard: Stainless steel  
 ASTM A582

Wedge Ductile iron ASTM A536  
 encapsulated with EPDM-rubber  
 compound

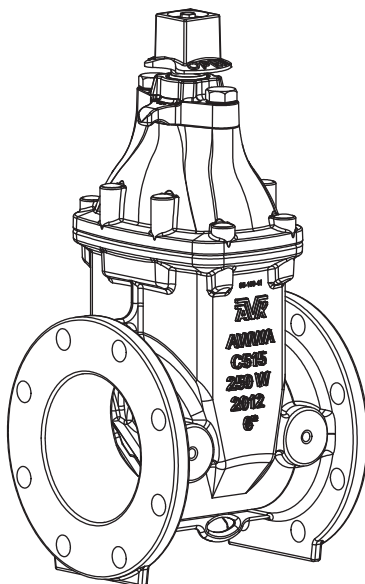
Wedge Nut, Thrust Collar Bronze  
 Bonnet Bolts Stainless Steel - 304  
 sealed with hot melt

Gland Bolts Stainless Steel - 304  
 Hexagon bolt

Bonnet Gasket, ASTM D2000 Buna "N" nitrile  
 Wiper Ring, rubber  
 O-Ring Stem Seals,  
 O-Ring Gland Seal

**Approvals:**

Certified to:  
 ANSI/NSF 61, ANSI/NSF 372

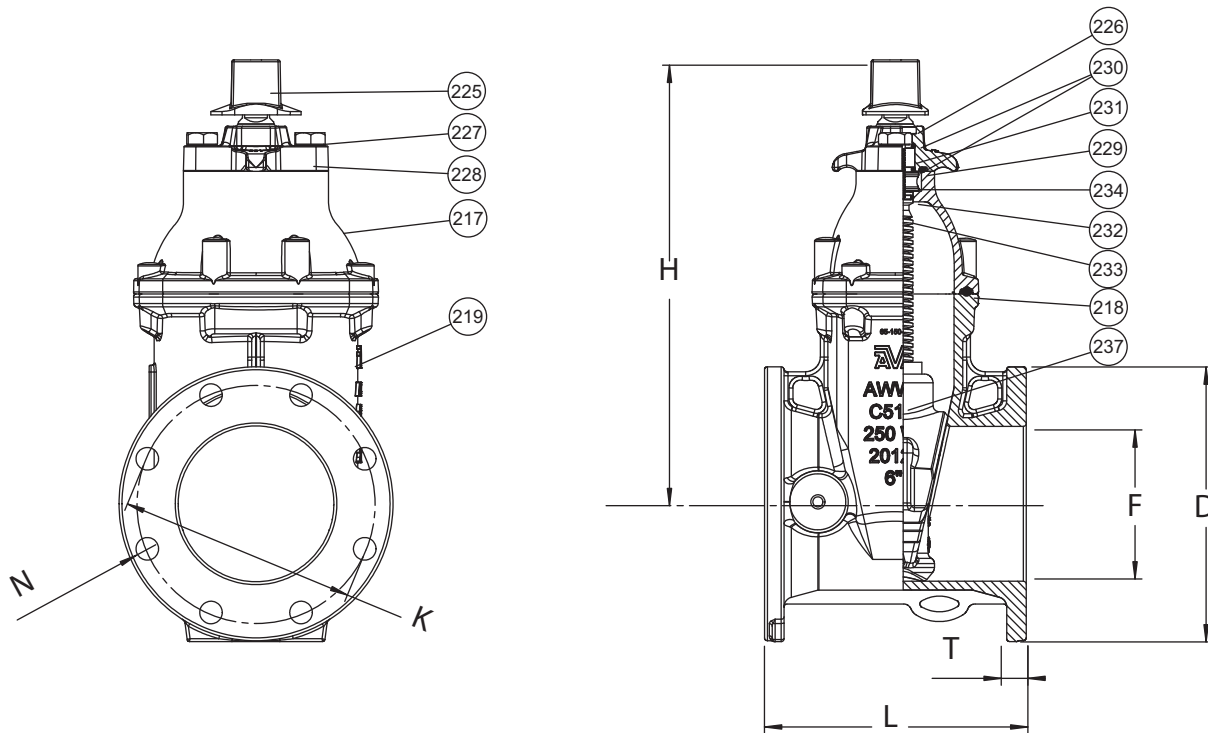


**AMERICAN AVK RESILIENT SEATED DUCTILE IRON GATE VALVE**  
**250 PSI, Tested to AWWA C515 (NRS)**  
**Flanged Ends to ASME B 16.42 Class 150 - Valve sizes 2.5" - 12"**

**65/FFN**  
**FLxFL**

**Component List:**

- |                    |                              |                             |
|--------------------|------------------------------|-----------------------------|
| 217. Bonnet        | 227. Gland Flange Bolt       | 232. Lower Stem Seal O-Ring |
| 218. Bonnet Gasket | 228. Gland Flange            | 233. NRS Stem               |
| 219. Body          | 229. Gland O-Ring            | 234. Thrust Collar          |
| 225. Wrench Nut    | 230. Upper Stem Seal O-Rings | 237. Wedge                  |
| 226. Wiper Ring    | 231. Stem Seal Bushing       |                             |



Ref No.	Size	D	F	H	K	L	N	T	Flange Holes	Turns to Open	Weight (lbs.)
65-065-FFN	2.5"	7.00"	2.63"	12.09"	5.50"	7.50"	0.75"	0.69"	4	12	38
65-080-FFN	3"	7.50"	3.13"	12.28"	6.00"	8.00"	0.75"	0.79"	4	15	46
65-100-FFN	4"	9.00"	4.25"	13.82"	7.50"	9.00"	0.75"	0.79"	8	17	62
65-150-FFN	6"	11.00"	6.25"	17.81"	9.50"	10.50"	0.88"	0.79"	8	21	103
65-200-FFN	8"	13.50"	8.25"	21.83"	11.75"	11.50"	0.88"	0.91"	8	27	146
65-250-FFN	10"	16.00"	10.25"	25.06"	14.25"	13.00"	1.00"	0.97"	12	34	224
65-300-FFN	12"	19.00"	12.25"	27.96"	17.00"	14.00"	1.00"	1.04"	12	41	310

