

# AMERICAN AVK BALL CHECK VALVE

53/FFI  
FLxFL

Flanged x Flanged Ends - Drilled to ASME B16.42 Class 150 - Valve sizes 1 1/2" - 16", 20" & 24"

## Use:

For water and neutral liquids to maximum 160°F.

## Tests:

Shell Test: 225 PSI

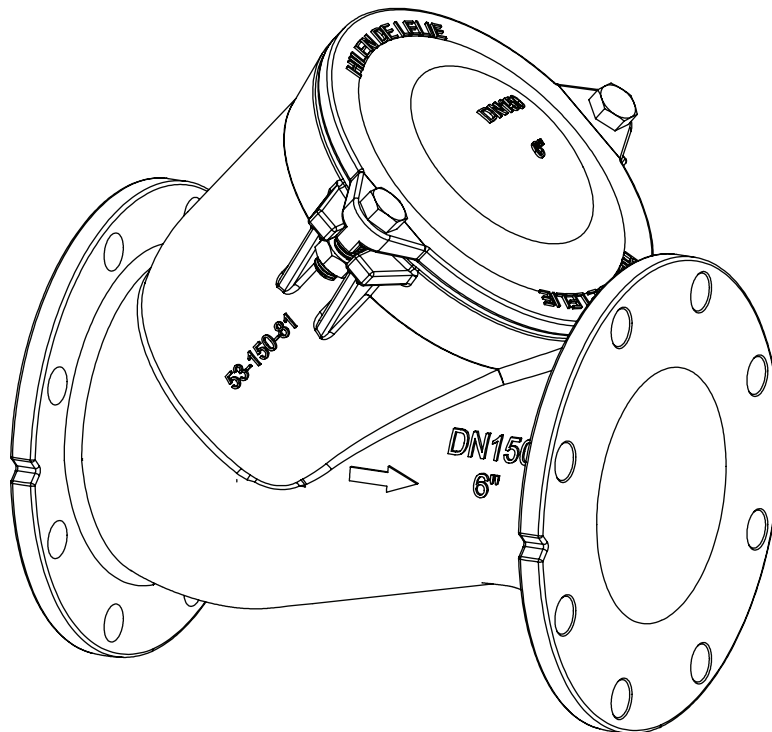
Seat Test: 150 PSI

## Optional Material:

- Floating Ball
- Polyurethane Ball

## Standard Materials:

Body, Bonnet,	Ductile iron ASTM A536
Coating - FLxFL	Fusion Bonded Epoxy or Black Primer
Ball	Aluminum encapsulated with NBR-rubber compound, for sizes 1½"-14", and 20" Aluminum encapsulated with PUR-rubber compound, for sizes 16" and 24"
Bonnet Bolts, Nuts	Zinc Plated Steel
Bonnet Gasket,	ASTM D2000 Buna "N" nitrile rubber



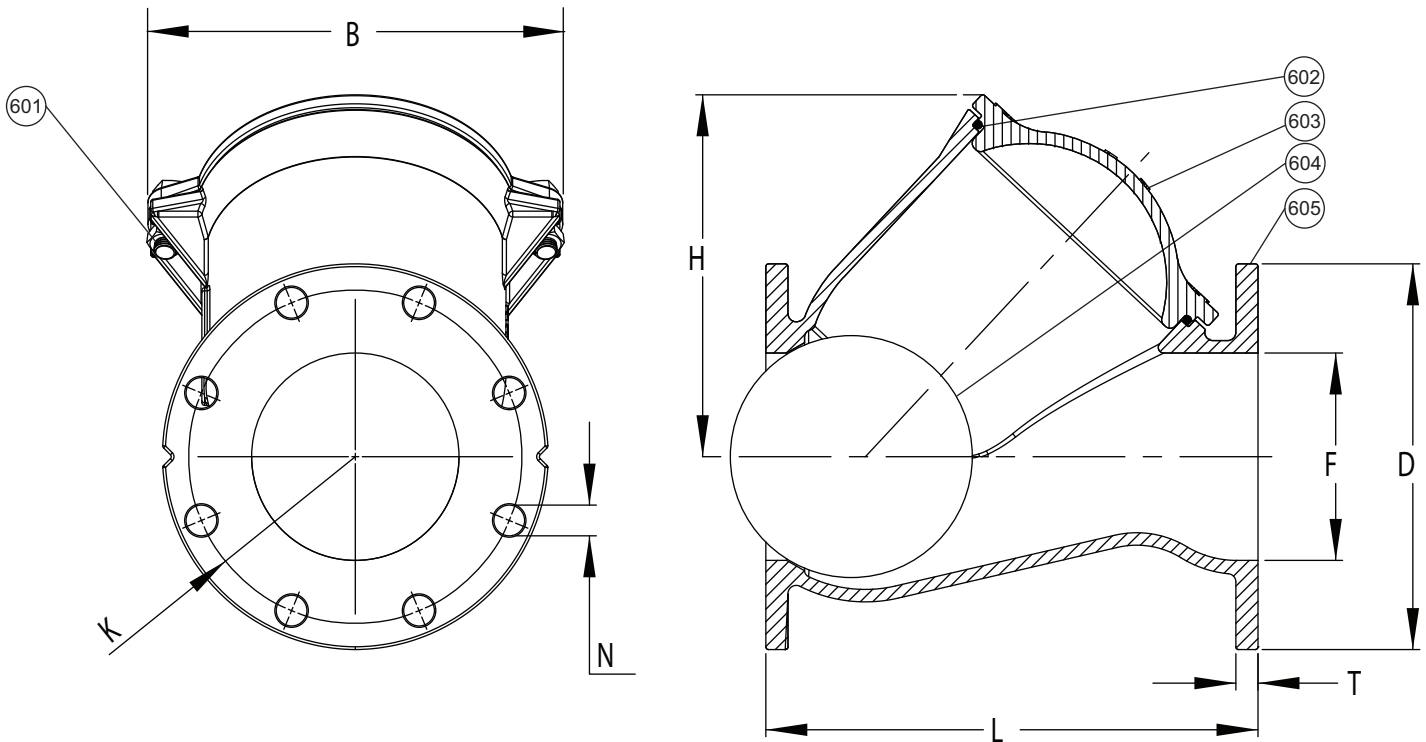
# AMERICAN AVK BALL CHECK VALVE

**53/FFI  
FLxFL**

Flanged x Flanged Ends - Drilled to ASME B16.42 Class 150 - Valve sizes 1 1/2" - 16", 20" & 24"

**Component List:**

- 601. Bolt, Nut
- 602. Bonnet Gasket
- 603. Bonnet
- 604. Ball
- 605. Body



Ref No.	Size	B	D	F	H	K	L	N	T	Weight (lbs.)
53-040-FFI	1.5"	5.28"	5.00"	1.57"	3.75"	3.86"	6.50"	0.63"	0.59"	14.3
53-050-FFI	2"	5.87"	5.98"	1.97"	4.53"	4.76"	8.00"	0.75"	0.63"	16.5
53-065-FFI	2.5"	6.61"	7.10"	2.56"	5.31"	5.50"	8.50"	0.75"	0.71"	26.5
53-080-FFI	3"	7.64"	7.52"	3.15"	6.30"	5.98"	9.50"	0.75"	0.75"	29
53-100-FFI	4"	8.75"	9.00"	3.94"	7.87"	7.52"	11.50"	0.75"	0.75"	40
53-150-FFI	6"	11.80"	10.98"	5.90"	10.24"	9.50"	14.00"	0.88"	0.63"	86
53-200-FFI	8"	12.36"	13.40"	7.87"	13.20"	11.73"	19.50"	0.88"	0.79"	150
53-250-FFI	10"	15.60"	15.98"	9.84"	16.14"	14.25"	24.50"	1.00"	0.87"	247
53-300-FFI	12"	21.73"	19.00"	11.81"	19.30"	17.00"	27.50"	1.00"	0.97"	359
53-350-FFI	14"	25.67"	20.98"	13.78"	23.23"	18.70"	31.00"	1.10"	0.97"	637
53-400-FFI	16"	27.00"	23.50"	15.75"	29.72"	21.26"	36.00"	1.13"	0.97"	917
53-500-FFI	20"	34.10"	27.50"	19.69"	36.60"	25.00"	43.30"	1.30"	1.04"	1570
53-600-FFI	24"	39.50"	32.00"	23.62"	39.76"	29.50"	51.00"	1.42"	1.18"	2646

