

**AMERICAN AVK GROOVED END SWING CHECK VALVE, 350 PSI
Resilient Seated Spring Loaded for Fire Protection
IPS Grooved Ends to AWWA C606 - Valve Sizes 2½" - 8"**

**5190/SCV
GRVxGRV**

Use:

For potable water to maximum 176°F.

Tests:

Hydraulic test to AWWA C508:

Shell Test: 700 PSI

Seat Test: 700 PSI

Options:

Shotgun Riser Check Valves available

Approvals:

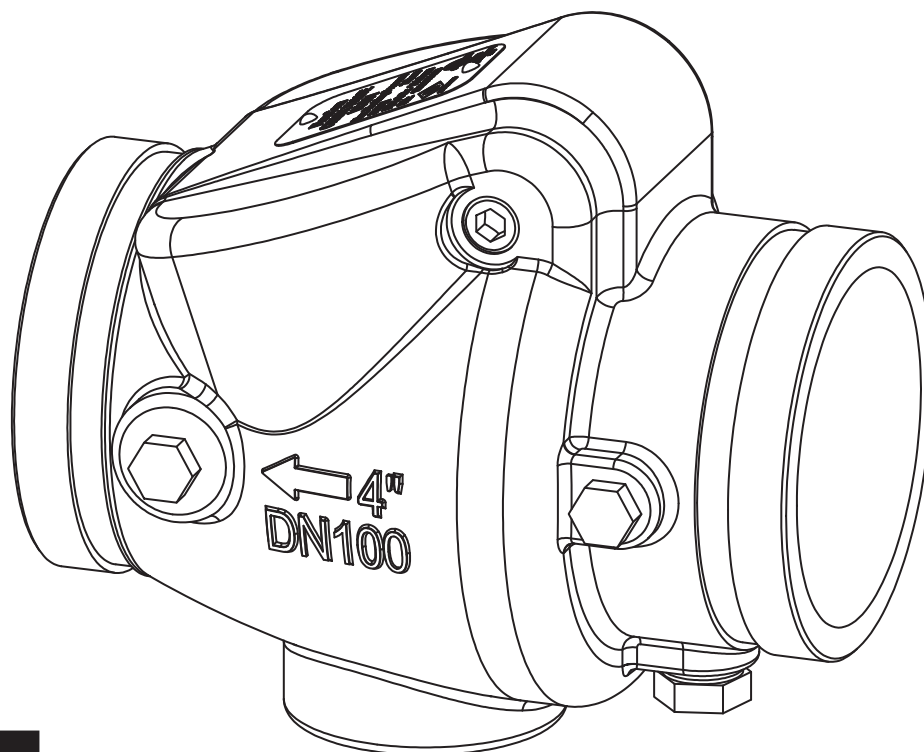
UL/ULC Listed

FM approved



Standard Materials:

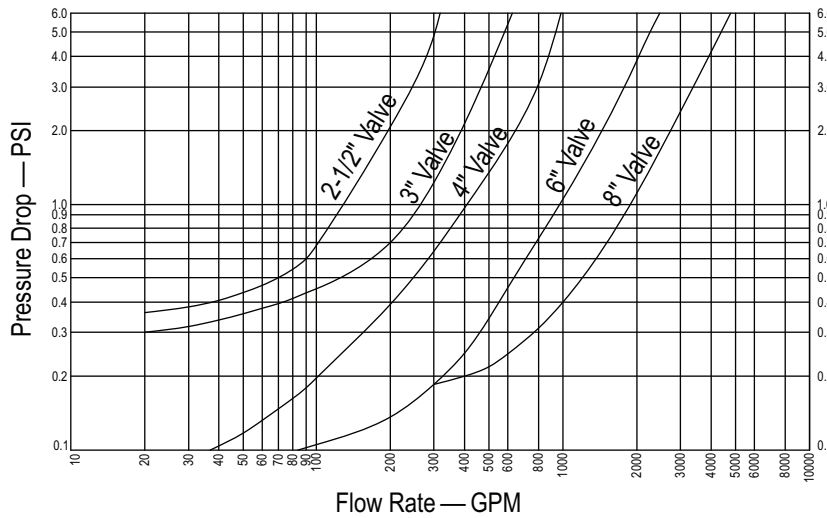
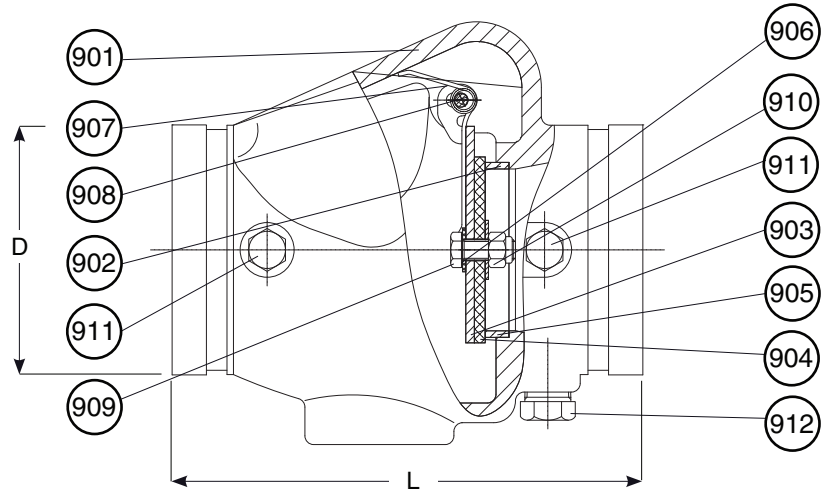
Body	Ductile iron, ASTM A536
Coating	RAL 3000 Red 2 layer paint .002" - .006"
Clapper, Hinge Pin, Clamping Ring, Spring, Clapper Bolt, Lock Nut	Stainless steel
Body Seat	Bronze
Facing Seal, Gasket	EPDM rubber
Plugs	Carbon steel



AMERICAN AVK GROOVED END SWING CHECK VALVE, 350 PSI
Resilient Seated Spring Loaded for Fire Protection
 IPS Grooved Ends to AWWA C606 - Valve Sizes 2½" - 8"

5190/SCV
GRVxGRV

Components	
901. Body	907. Spring
902. Seat	908. Hinge Pin
903. Clapper	909. Clapper Bolt
904. Facing Seal	910. Clapper Nut
905. Clamping Ring	911. 1/4" NPT Plug
906. Gasket	912. 1/2" NPT Plug



Ref No.	Size	D	L	Weight (lbs.)
5190-065-SCV	2.5"	2.87"	7.20"	9
5190-080-SCV	3"	3.50"	7.80"	14
5190-100-SCV	4"	4.50"	8.58"	20
5190-150-SCV	6"	6.63"	10.63"	42
5190-200-SCV	8"	8.63"	12.80"	78

