

**AMERICAN AVK RESILIENT SEATED DUCTILE IRON GATE VALVE**  
**250 PSI, Tested to AWWA C509 / C515 (NRS)**  
**Push-on Joint End x Push-on Joint End (TYTON) - Valve sizes 4" - 12" and 16"**

**45/PPN**  
**POxPO**

**Use:**

For water and neutral liquids to maximum 160°F.

**Tests:**

Hydraulic test to AWWA C509:

Shell Test: 500 PSI 4"-16"

Seat Test: 250 PSI 4"-16"

Operating Torque Test

**Optional Materials:**

Stem For UL, FM, ULC  
 Low Zinc Bronze ASTM B763

For UL, FM, ULC for 16"  
 Aluminum Bronze ASTM B150/B150M

Anti Friction Washers Polyamide

Bolting ASTM A164 zinc coated steel ,  
 Stainless Steel - 316

**Standard Materials:**

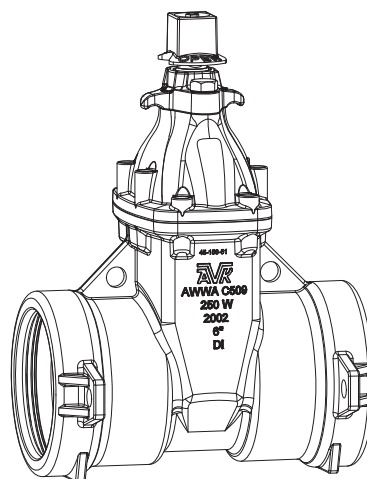
Body, Bonnet, Gland Flange, Wrench Nut	Ductile iron ASTM A536 (Wrench Nut-painted black for open left, red for open right)
Coating	Electrostatically applied fusion- bonded epoxy-resin Meets or exceeds AWWA C550
Stem	Standard: Stainless steel ASTM A582
Wedge	Ductile iron ASTM A536 encapsulated with EPDM-rubber compound
Wedge Nut, Thrust Collar	Bronze
Bonnet Bolts	Stainless Steel - 304 for 4"-8" sealed with hot melt Grade 8 Steel for 10"-12" & 16" sealed with hot melt
Gland Bolts	Stainless Steel - 304 Hexagon bolt
Bonnet Gasket, Wiper Ring, O-Ring Stem Seals, O-Ring Gland Seal	ASTM D2000 Buna "N" nitrile rubber

**Approvals:**



\*UL/ULC Listed  
 \*FM Approved  
 Certified to: ANSI/NSF 61, ANSI/NSF 372

\* Approved at 250 PSI working pressure, 4"-12"  
 \* Approved at 200 PSI working pressure, 16"

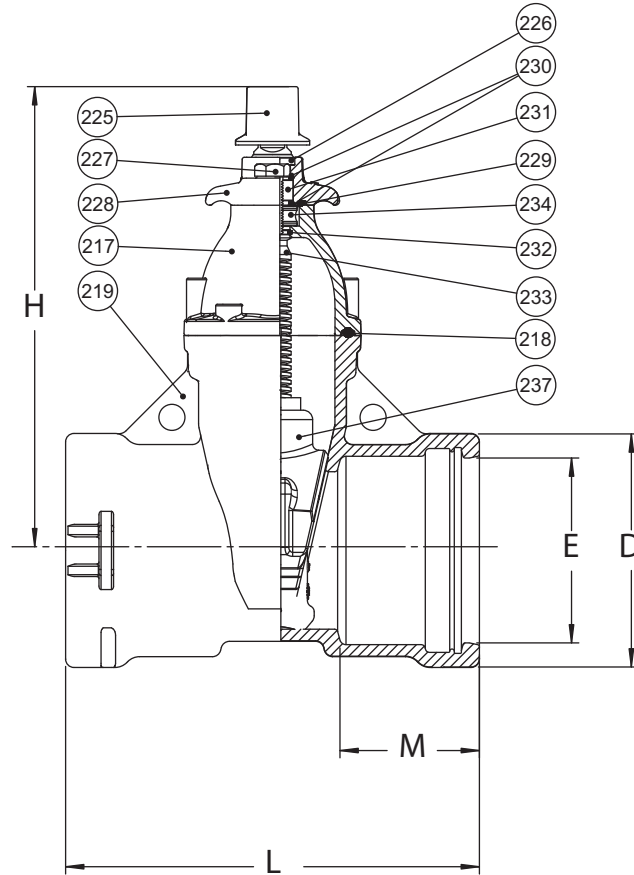


**AMERICAN AVK RESILIENT SEATED DUCTILE IRON GATE VALVE**  
**250 PSI, Tested to AWWA C509 / C515 (NRS)**  
**Push-on Joint End x Push-on Joint End (TYTON) - Valve sizes 4" - 12" and 16"**

**45/PPN**  
**POxPO**

**Component List:**

- |                    |                              |                             |
|--------------------|------------------------------|-----------------------------|
| 217. Bonnet        | 227. Gland Flange Bolt       | 232. Lower Stem Seal O-Ring |
| 218. Bonnet Gasket | 228. Gland Flange            | 233. NRS Stem               |
| 219. Body          | 229. Gland O-Ring            | 234. Thrust Collar          |
| 225. Wrench Nut    | 230. Upper Stem Seal O-Rings | 237. Wedge                  |
| 226. Wiper Ring    | 231. Stem Seal Bushing       |                             |



Ref No.	Size	D	E	H	L	M	Turns to Open	Weight (lbs.)
45-100-PPN	4"	6.66"	4.93"	13.50"	11.99"	4.12"	14	57
45-150-PPN	6"	8.84"	7.03"	17.50"	15.63"	5.22"	20	97
45-200-PPN	8"	11.23"	9.18"	21.50"	17.17"	5.63"	26	157
45-250-PPN	10"	13.50"	11.22"	24.75"	17.64"	5.63"	32	227
45-300-PPN	12"	15.74"	13.32"	27.75"	19.21"	5.63"	38	391
45-400-PPN	16"	20.62"	17.50"	34.75"	22.72"	6.00"	51	982

