

AMERICAN AVK RESILIENT SEATED DUCTILE IRON GATE VALVE 45/MMP
Tested to AWWA C509 / C515 (NRS) for Fire Protection Indicator Post MJxMJ PIV
Mechanical Joint Ends - Valve Sizes 4" - 12"

Use:

For water and neutral liquids to maximum 160°F.

Tests:

Hydraulic test to AWWA C509:

Shell Test: 500 PSI

Seat Test: 250 PSI

Operating Torque Test

Standard Materials:

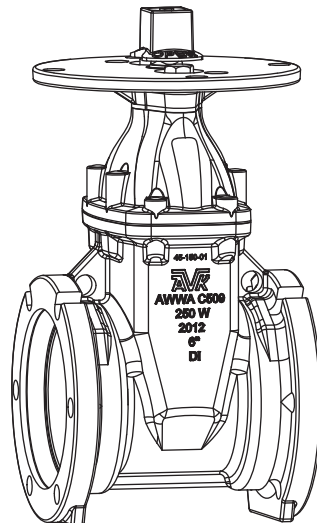
Body, Bonnet, Post Indicator Plate, Wrench Nut	Ductile iron ASTM A536 (Wrench Nut-painted black for open left, red for open right)
Coating	Electrostatically applied fusion- bonded epoxy-resin Meets or exceeds AWWA C550
Stem	Stainless Steel - 304
Anti Friction Washers	Polyamide
Wedge	Ductile iron ASTM A536 encapsulated with EPDM-rubber compound
Wedge Nut, Thrust Collar	Bronze
Bonnet Bolts	4" - 8" Stainless Steel - 304 sealed with hot melt Grade 8 Steel for 10"-12" sealed with hot melt
Gland Bolts	Stainless Steel - 304 Hexagon bolt
Bonnet Gasket, Wiper Ring, O-Ring Stem Seals, O-Ring Gland Seal	NBR

Approvals:

UL/ULC Listed
 FM Approved
 Certified to: ANSI/NSF 61, ANSI/NSF 372



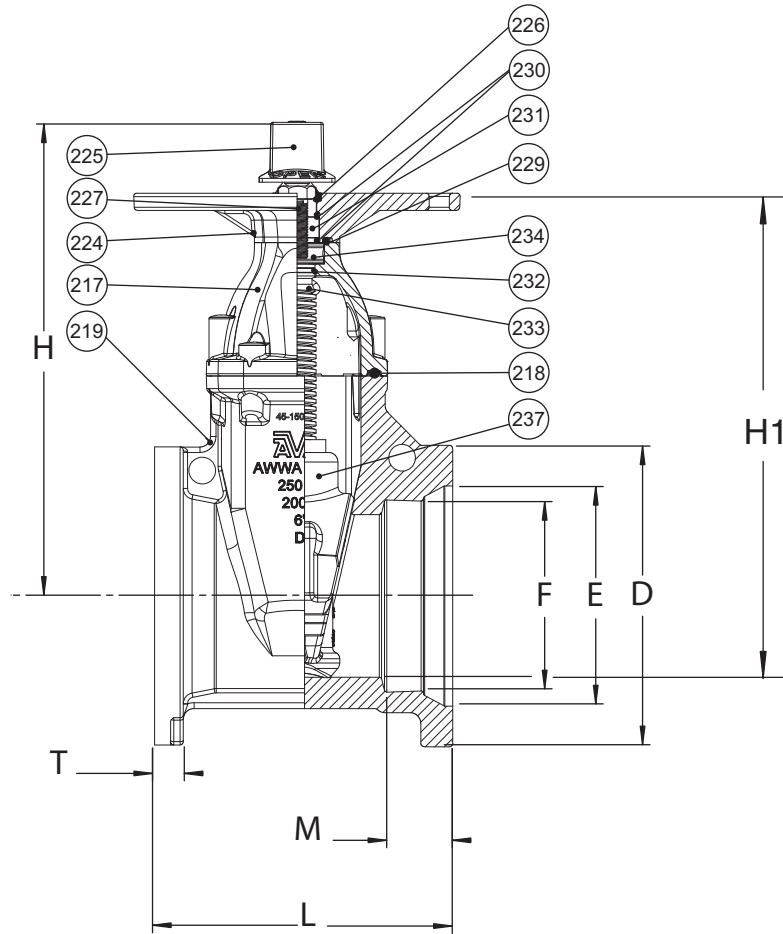
Approved at 250 PSI working pressure



AMERICAN AVK RESILIENT SEATED DUCTILE IRON GATE VALVE **45/MMP**
Tested to AWWA C509 / C515 (NRS) for Fire Protection Indicator Post **MJxMJ PIV**
Mechanical Joint Ends - Valve Sizes 4" - 12"

Component List:

- | | | |
|---------------------------|------------------------------|-----------------------------|
| 217. Bonnet | 226. Wiper Ring | 232. Lower Stem Seal O-Ring |
| 218. Bonnet Gasket | 227. Gland Flange Bolt | 233. NRS Stem |
| 219. Body | 229. Gland O-Ring | 234. Thrust Collar |
| 224. Post Indicator Plate | 230. Upper Stem Seal O-Rings | 237. Wedge |
| 225. Wrench Nut | 231. Stem Seal Bushing | |



Ref No.	Size	D	E	F	H	H1	L	M	T	Turns to Open	Weight (lbs.)
45-100-MMP-FP	4"	9.12"	6.00"	4.90"	13.50"	13.00"	10.00"	2.50"	1.00"	14	82
45-150-MMP-FP	6"	11.12"	8.12"	7.00"	17.50"	18.00"	11.50"	2.50"	1.18"	21	123
45-200-MMP-FP	8"	13.37"	10.27"	9.15"	21.50"	23.00"	11.50"	2.50"	1.24"	26	175
45-250-MMP-FP	10"	15.69"	12.34"	11.20"	24.75"	27.00"	13.00"	2.50"	1.14"	32	260
45-300-MMP-FP	12"	17.88"	14.44"	13.30"	27.63"	31.00"	14.00"	2.50"	1.22"	38	357

