

AMERICAN AVK RESILIENT SEATED DUCTILE IRON GATE VALVE
250 PSI, Tested to AWWA C509 / C515 (NRS)
Mechanical Joint Ends - Valve Sizes 3" - 16"

45/MMN
MJxMJ

Use:

For water and neutral liquids to maximum 160°F.

Tests:

Hydraulic test to AWWA C509:

Shell Test: 500 PSI 3"-16"

Seat Test: 250 PSI 3"-16"

Operating Torque Test

Optional Materials:

Stem For UL, FM, ULC for 3" - 12"
 Low Zinc Bronze ASTM B763

For UL, FM, ULC for 14" - 16"
 Aluminum Bronze ASTM B150/B150M

Anti Friction Washers Polyamide

Bolting ASTM A164 zinc coated steel,
 Stainless Steel - 316

Standard Materials:

Body, Bonnet, Gland Flange, Wrench Nut	Ductile iron ASTM A536 (Wrench Nut-painted black for open left, red for open right)
Coating	Electrostatically applied fusion- bonded epoxy-resin Meets or exceeds AWWA C550
Stem	Standard: Stainless steel ASTM A582
Wedge	Ductile iron ASTM A536 encapsulated with EPDM-rubber compound
Wedge Nut, Thrust Collar	Bronze
Bonnet Bolts	Stainless Steel - 304 for 3"-8" sealed with hot melt Grade 8 Steel for 10"-16" sealed with hot melt
Gland Bolts	Stainless Steel - 304 Hexagon bolt
Bonnet Gasket, Wiper Ring, O-Ring Stem Seals, O-Ring Gland Seal	ASTM D2000 Buna "N" nitrile rubber

Approvals:

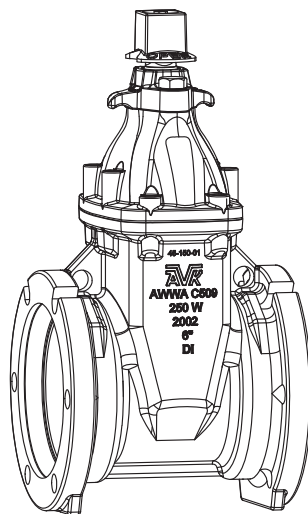


*UL/ULC Listed
 *FM Approved
 Certified to: ANSI/NSF 61, ANSI/NSF 372

Certified to
NSF/ANSI 61

Certified to
NSF/ANSI 372

* Approved at 250 PSI working pressure, 3"-12"
 * Approved at 200 PSI working pressure, 14"-16"

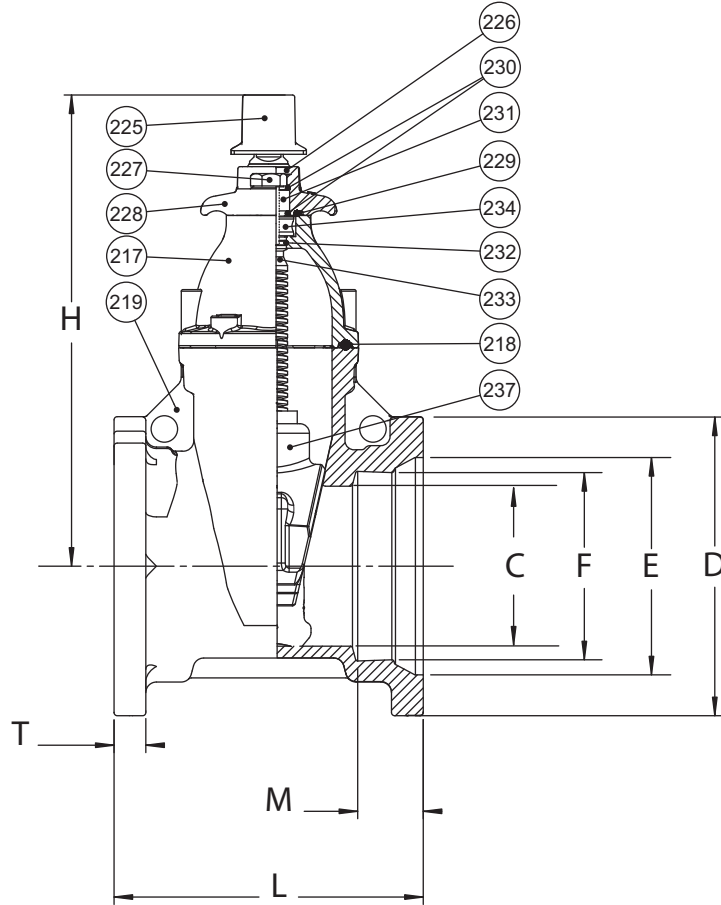


AMERICAN AVK RESILIENT SEATED DUCTILE IRON GATE VALVE
250 PSI, Tested to AWWA C509 / C515 (NRS)
Mechanical Joint End - Valve Sizes 3" - 16"

45/MMN
MJxMJ

Component List:

217. Bonnet	227. Gland Flange Bolt	232. Lower Stem Seal O-Ring
218. Bonnet Gasket	228. Gland Flange	233. NRS Stem
219. Body	229. Gland O-Ring	234. Thrust Collar
225. Wrench Nut	230. Upper Stem Seal O-Rings	237. Wedge
226. Wiper Ring	231. Stem Seal Bushing	



Ref No.	Size	C	D	E	F	H	L	M	T	Turns to Open	Weight (lbs.)
45-080-MMN	3"	3.25"	7.69"	4.96"	4.07"	12.09"	8.50"	2.50"	0.95"	12	43
45-100-MMN	4"	4.25"	9.12"	6.00"	4.90"	13.50"	10.00"	2.50"	1.00"	14	62
45-150-MMN	6"	6.25"	11.12"	8.12"	7.00"	17.50"	11.50"	2.50"	1.18"	21	103
45-200-MMN	8"	8.25"	13.37"	10.27"	9.15"	21.50"	11.50"	2.50"	1.24"	26	155
45-250-MMN	10"	10.25"	15.69"	12.34"	11.20"	24.75"	13.00"	2.50"	1.14"	32	240
45-300-MMN	12"	12.25"	17.88"	14.44"	13.30"	27.63"	14.00"	2.50"	1.22"	38	337
45-350-MMN	14"	14.25"	20.31"	16.61"	15.50"	35.75"	17.95"	3.50"	1.32"	51	794
45-400-MMN	16"	16.25"	22.56"	18.64"	16.12"	34.75"	18.00"	3.50"	1.34"	51	800

