

**AMERICAN AVK RESILIENT SEATED DUCTILE IRON GATE VALVE**  
**250 PSI, Tested to AWWA C509 / C515 (NRS)**  
**Tapping Sleeve Flanged End x Mechanical Joint - Valve sizes 4" - 12"**

**45/MFT**  
**MJxTAP**

**Use:**

For water and neutral liquids to maximum 160°F.

**Tests:**

Hydraulic test to AWWA C509:

Shell Test: 500 PSI

Seat Test: 250 PSI

Operating Torque Test

**Optional Materials:**

Stem For UL, FM, ULC  
 Low Zinc Bronze ASTM B763

Anti Friction Washers Polyamide

Bolting ASTM A164 zinc coated steel ,  
 Stainless Steel - 316

**Standard Materials:**

Body, Bonnet, Gland Flange, Wrench Nut	Ductile iron ASTM A536 (Wrench Nut-painted black for open left, red for open right)
Coating	Electrostatically applied fusion- bonded epoxy-resin Meets or exceeds AWWA C550
Stem	Standard: Stainless steel ASTM A582
Wedge	Ductile iron ASTM A536 encapsulated with EPDM-rubber compound
Wedge Nut, Thrust Collar	Bronze
Bonnet Bolts	4" - 8" Stainless Steel - 304 sealed with hot melt Grade 8 Steel for 10"-12" sealed with hot melt
Gland Bolts	Stainless Steel - 304 Hexagon bolt
Bonnet Gasket, Wiper Ring, O-Ring Stem Seals, O-Ring Gland Seal	ASTM D2000 Buna "N" nitrile rubber

**Approvals:**

\*UL/ULC Listed

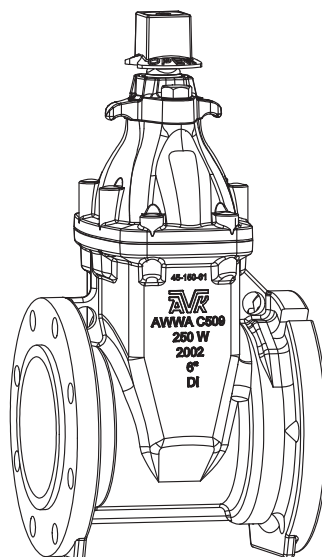
\*FM Approved

Certified to: ANSI/NSF 61, ANSI/NSF 372

\* Approved at 250 PSI working pressure

Tapping Flange to MSS-SP60 and ANSI/ASME class 125

MJ Flange to AWWA C111

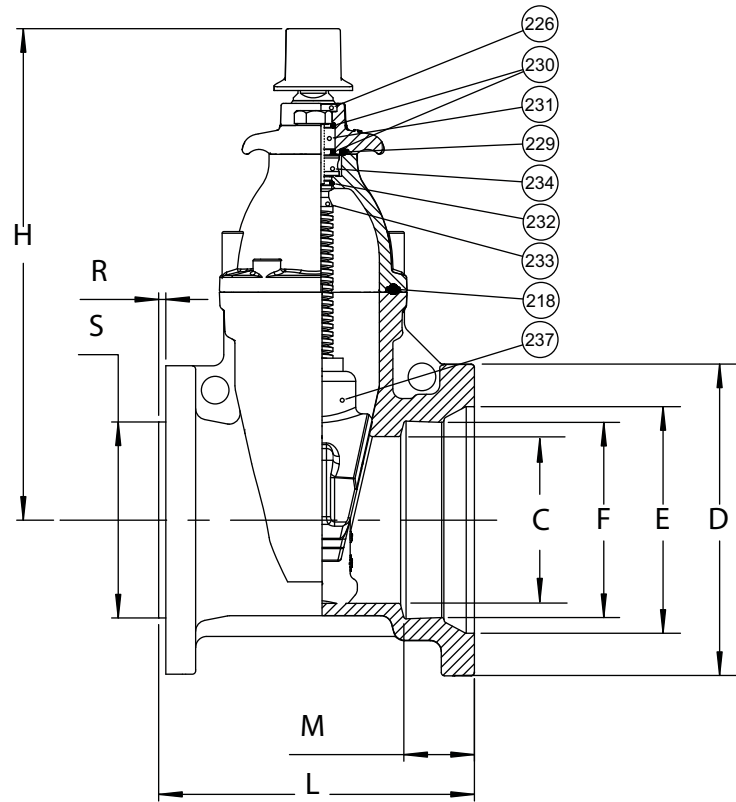
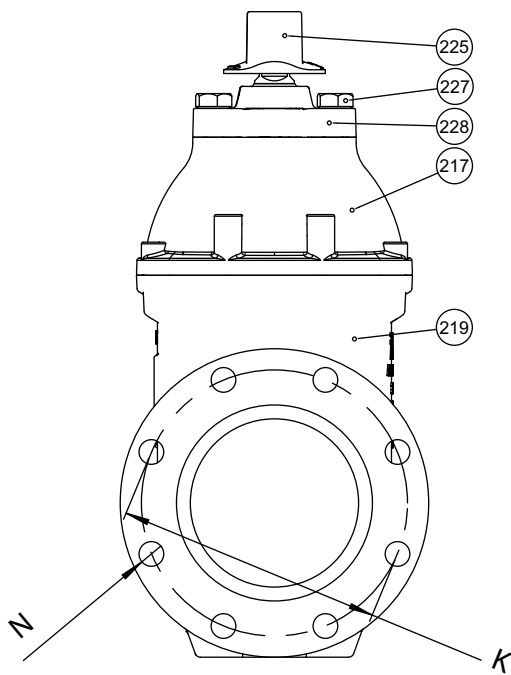


**AMERICAN AVK RESILIENT SEATED DUCTILE IRON GATE VALVE**  
**250 PSI, Tested to AWWA C509 / C515 (NRS)**  
**Tapping Sleeve Flanged End x Mechanical Joint - Valve sizes 4" - 12"**

**45/MFT**  
**MJxTAP**

**Component List:**

- |                    |                              |                             |
|--------------------|------------------------------|-----------------------------|
| 217. Bonnet        | 227. Gland Flange Bolt       | 232. Lower Stem Seal O-Ring |
| 218. Bonnet Gasket | 228. Gland Flange            | 233. NRS Stem               |
| 219. Body          | 229. Gland O-Ring            | 234. Thrust Collar          |
| 225. Wrench Nut    | 230. Upper Stem Seal O-Rings | 237. Wedge                  |
| 226. Wiper Ring    | 231. Stem Seal Bushing       |                             |



Ref. nos.	Size	C	D	E	F	H	K	L	M	N	R	S	Flange Holes	Turns to open	Wt. Lbs.
45-100-MFT	4"	4.25"	9.12"	6.06"	4.90"	13.50"	7.50"	9.50"	2.50"	0.75"	0.20"	4.98"	8	14	71
45-150-MFT	6"	6.25"	11.12"	8.16"	7.00"	17.50"	9.50"	11.00"	2.50"	0.88"	0.26"	6.99"	8	21	117
45-200-MFT	8"	8.25"	13.37"	10.31"	9.15"	21.50"	11.75"	12.75"	2.50"	0.88"	0.26"	8.98"	8	26	174
45-250-MFT	10"	10.25"	15.69"	12.37"	11.19"	24.75"	14.25"	13.40"	2.50"	1.00"	0.26"	10.98"	12	32	265
45-300-MFT	12"	12.25"	17.87"	14.50"	13.30"	27.63"	17.00"	14.60"	2.50"	1.00"	0.26"	12.98"	12	38	401

