

AMERICAN AVK RESILIENT SEATED DUCTILE IRON GATE VALVE
Tested to AWWA C509 (NRS) for Fire Protection
IPS Grooved End according to AWWA C606 - Valve Sizes 2½" - 10"

45/GGN/FP
IPS GRxGR

Use:

For water and neutral liquids to maximum 160°F.

Tests:

Hydraulic test to AWWA C509:

Shell Test: 500 PSI

Seat Test: 250 PSI

Operating Torque Test

Standard Materials:

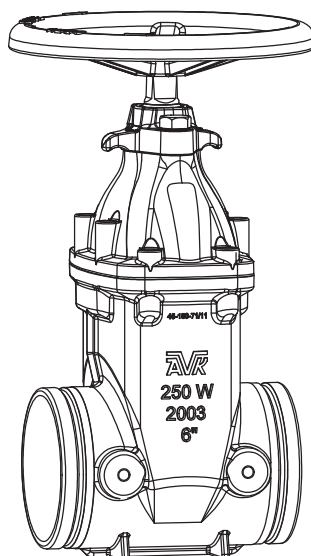
Body, Bonnet, Gland Flange	Ductile iron ASTM A536
Hand wheel	Cast iron ASTM A126 class B
Coating	Electrostatically applied fusion-bonded epoxy-resin Meets or exceeds AWWA C550
Stem	Stainless Steel - 304
Anti Friction Washers	Polyamide
Wedge	Ductile iron ASTM A536 encapsulated with EPDM-rubber compound
Wedge Nut, Thrust Collar	Bronze
Bonnet Bolts	2½"- 8" Stainless Steel - 304 sealed with hot melt Grade 8 Steel for 10" sealed with hot melt
Gland Bolts	Stainless Steel - 304 Hexagon bolt
Bonnet Gasket, Wiper Ring, O-Ring Stem Seals, O-Ring Gland Seal	NBR

Approvals:

UL/ULC Listed
 FM Approved
 Certified to: ANSI/NSF 61, ANSI/NSF 372



Approved at 250 PSI working pressure

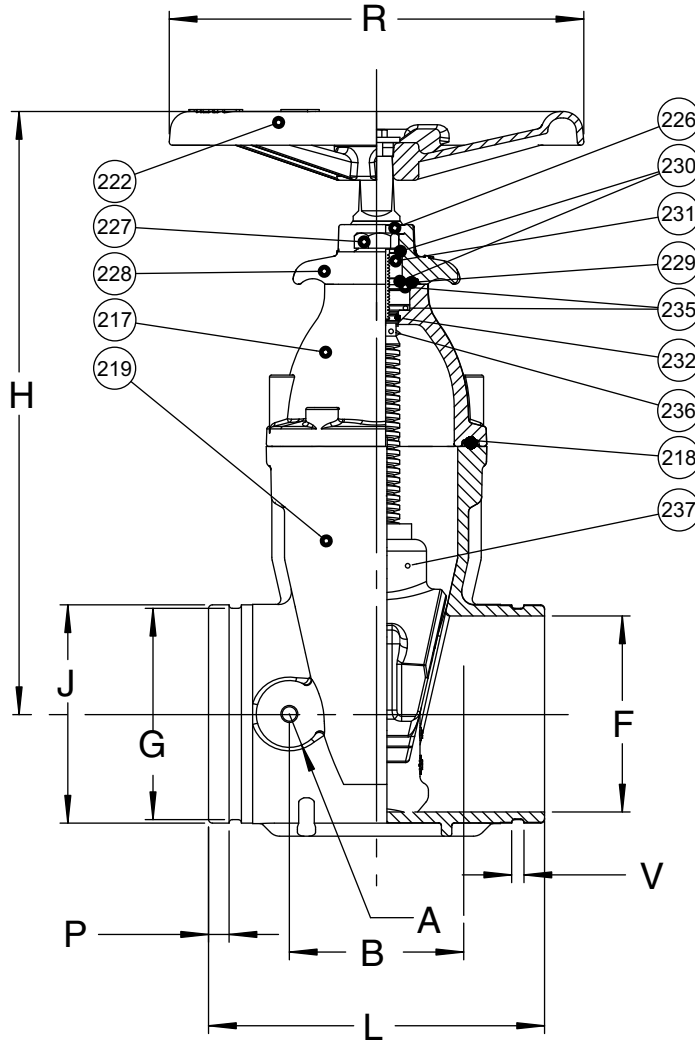


AMERICAN AVK RESILIENT SEATED DUCTILE IRON GATE VALVE
250 PSI, Tested to AWWA C509 (NRS) for Fire Protection
 IPS Grooved End according to AWWA C606 - Valve Sizes 2½" - 10"

45/GGN/FP
IPS GRxGR

Component List:

- | | | |
|--------------------|------------------------------|-----------------------------|
| 217. Bonnet | 227. Gland Flange Bolt | 232. Lower Stem Seal O-Ring |
| 218. Bonnet Gasket | 228. Gland Flange | 233. NRS Stem |
| 219. Body | 229. Gland O-Ring | 234. Thurst Collar |
| 222. NRS Handwhel | 230. Upper Stem Seal O-Rings | 237. Wedge |
| 226. Wiper Ring | 231. Stem Seal Bushing | |



Ref No.	Size	A	B	F	G	H	J	L	P	R	V	Turns to Open	Weight Lbs.
45-065-GGN	2.5"	1.57"	3.74"	2.50"	2.72"	12.50"	2.88"	8.00"	0.63"	8.86"	0.31"	12	30
45-080-GGN	3"	1.57"	3.74"	3.00"	3.34"	12.50"	3.50"	8.00"	0.63"	8.86"	0.31"	13	35
45-100-GGN	4"	1.65"	4.12"	4.00"	4.33"	13.50"	4.50"	9.00"	0.63"	11.00"	0.38"	14	46
45-150-GGN	6"	1.97"	5.29"	6.00"	6.45"	17.50"	6.62"	10.50"	0.63"	12.60"	0.38"	21	87
45-200-GGN	8"	1.97"	8.00"	8.00"	8.44"	21.50"	8.62"	11.50"	0.75"	14.17"	0.44"	26	133
45-250-GGN	10"	1.97"	8.00"	10.00"	10.53"	24.75"	10.75"	13.00"	0.75"	19.68"	0.50"	32	185

