

**AMERICAN AVK RESILIENT SEATED DUCTILE IRON GATE VALVE**  
**Tested to AWWA C509 / C515 (NRS) for Indicator Post**  
**Flanged Ends to ASME B16.42 Class 150 - Valve sizes 4" - 16"**

**45/FFP  
 FLxFL PIV**

**Use:**

For water and neutral liquids to maximum 160°F.

**Tests:**

Hydraulic test to AWWA C509:

Shell Test: 500 PSI 4"-16"

Seat Test: 250 PSI 4"-16"

Operating Torque Test

**Optional Materials:**

Stem 4"-12" only  
 Stainless steel AISI 430F  
 Stainless steel AISI 304  
 Stainless steel AISI 316

Bonnet Bolts 4"-12" only  
 Stainless steel AISI 304,  
 Stainless steel AISI 316,  
 Zinc Plated steel sealed with hot melt

Gland Bolts 4"-12" only  
 Stainless steel AISI 316,  
 Zinc Plated steel

**Standard Materials:**

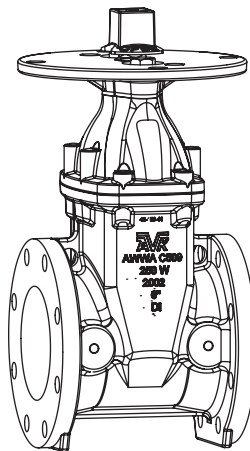
Body, Bonnet, Post Indicator Plate, Wrench Nut	Ductile iron ASTM A536 (Wrench Nut-painted black for open left, red for open right)
Coating	Electrostatically applied fusion- bonded epoxy-resin Meets or exceeds AWWA C550
Stem	4"-12" Standard: Low Zinc Bronze ASTM B763 14"-16" Standard: Aluminum Bronze ASTM B150/B150M
Anti Friction Washers	Polyamide
Wedge	Ductile iron ASTM A536 encapsulated with EPDM-rubber compound
Wedge Nut, Thrust Collar	Bronze
Bonnet Bolts	4" - 8" Stainless Steel - 304 sealed with hot melt Grade 8 Steel for 10"-16" sealed with hot melt
Gland Bolts	Stainless Steel - 304 Hexagon bolt
Bonnet Gasket, Wiper Ring, O-Ring Stem Seals, O-Ring Gland Seal	ASTM D2000 Buna "N" nitrile rubber

**Approvals:**

\*UL/ULC Listed  
 \*FM Approved  
 Certified to: ANSI/NSF 61, ANSI/NSF 372



\* Approved at 250 PSI working pressure, 4"-12"  
 \* Approved at 200 PSI working pressure, 14"-16"

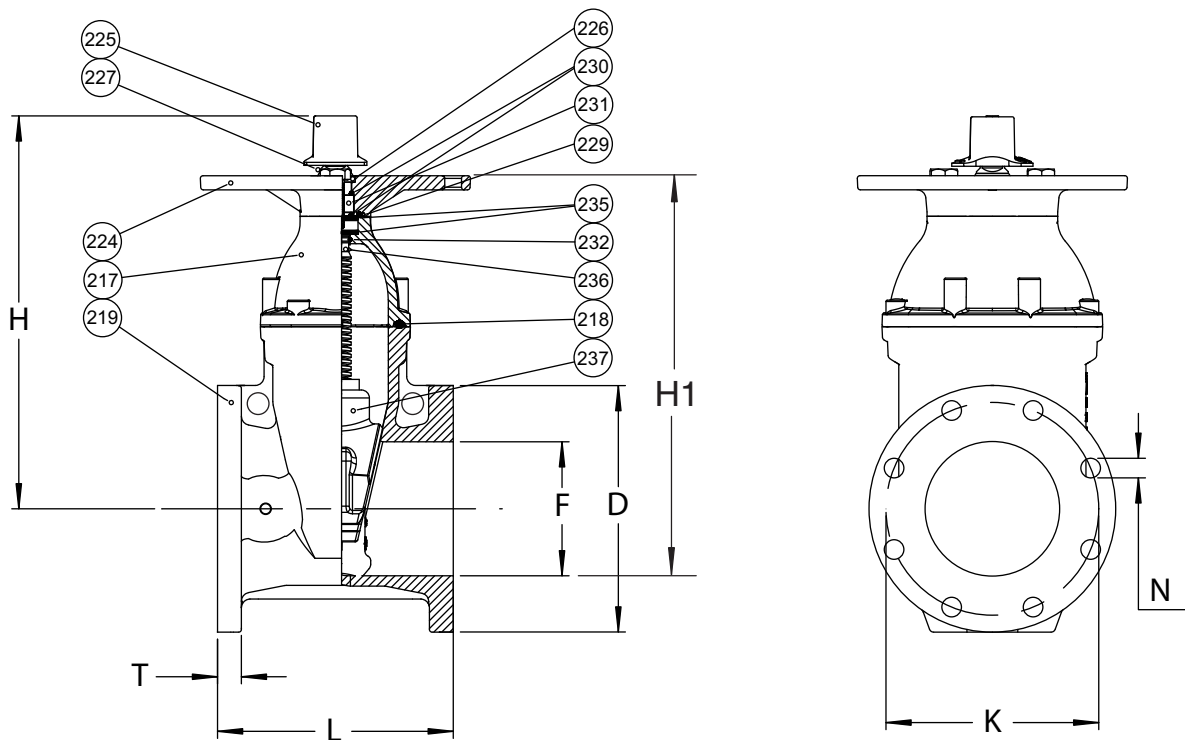


**AMERICAN AVK RESILIENT SEATED DUCTILE IRON GATE VALVE**  
**Tested to AWWA C509 / C515 (NRS) for Indicator Post**  
**Flanged Ends to ASME B16.42 Class 150 - Valve sizes 4" - 16"**

**45/FFP**  
**FLxFL PIV**

**Component List:**

- |                           |                              |                             |
|---------------------------|------------------------------|-----------------------------|
| 217. Bonnet               | 226. Wiper Ring              | 232. Lower Stem Seal O-Ring |
| 218. Bonnet Gasket        | 227. Gland Flange Bolt       | 235. Anti-Friction Washer   |
| 219. Body                 | 229. Gland O-Ring            | 236. Low Zinc NRS Stem      |
| 224. Post Indicator Plate | 230. Upper Stem Seal O-Rings | 237. Wedge                  |
| 225. Wrench Nut           | 231. Stem Seal Bushing       |                             |



Ref No.	Size	D	F	H	H1	K	L	N	T	Flange Holes	Turns to Open	Weight (lbs.)
45-100-FFP	4"	9.00"	4.00"	13.50"	13.00"	7.50"	9.00"	0.75"	1.00"	8	14	78
45-150-FFP	6"	11.00"	6.00"	17.50"	18.00"	9.50"	10.50"	0.88"	1.06"	8	21	112
45-200-FFP	8"	13.50"	8.00"	21.50"	23.00"	11.75"	11.50"	0.88"	1.14"	8	26	169
45-250-FFP	10"	16.00"	10.00"	24.75"	27.00"	14.25"	13.00"	1.00"	1.22"	12	32	284
45-300-FFP	12"	19.00"	12.00"	27.63"	31.00"	17.00"	14.00"	1.00"	1.30"	12	38	424
45-350-FFP	14"	20.98"	14.00"	35.75"	39.00"	18.75"	15.00"	1.13"	1.40"	12	51	635
45-400-FFP	16"	23.50"	16.00"	34.74"	42.00"	21.25"	16.00"	1.13"	1.44"	16	51	805

