

AMERICAN AVK WALL INDICATOR POST
To UL 789 - to ULC CEX 1393 - To FM class number 1110
Valve Sizes 4" - 16"



34/8X
WALL INDICATOR POST

Use:
 Will fit any gate valve (4" - 16") with a 2" square wrench nut

Optional Extras:
 Bolting Material Option a): Stainless Steel - 304

 Stem Lengths Refer to Detail "A"

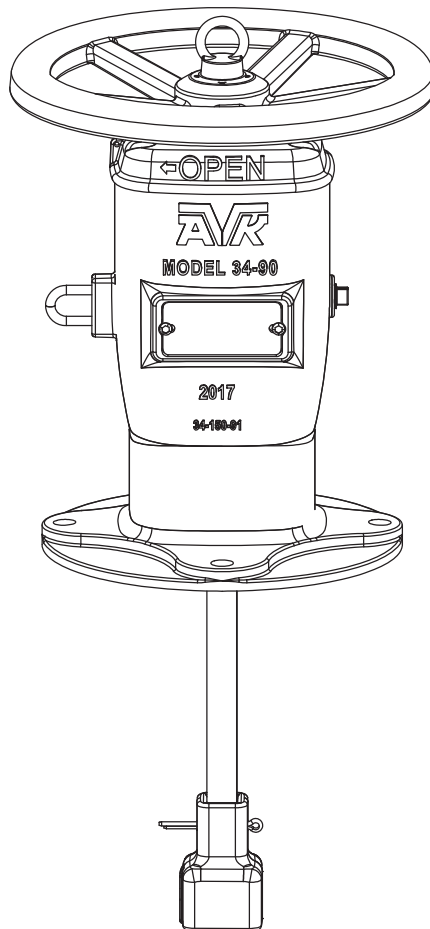
Approvals:

UL/ULC Listed, 4" - 16"
 FM Approved, 4" - 14"

Standard Materials:

Wrench Nut Adaptor, Handwheel, Post Indicator Bell, Indicator Head, Operating Wrench	Ductile iron ASTM A536
Bolts, Nuts, Washers	Zinc plated steel
Set Screw, Tension Pin, Circlip Ring	Stainless steel
Upper, Lower Stem, Upper, Lower Barrel	Cold drawn steel
Target, Operating Nut	Bronze
Target Sign	Aluminum (painted)
Window	Polycarbonate

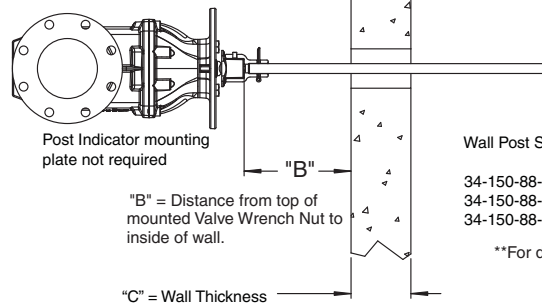


AMERICAN AVK WALL INDICATOR POST

To UL 789 - to ULC CEX 1393 - To FM class number 1110
Valve Sizes 4" - 16"

34/8X WALL INDICATOR POST

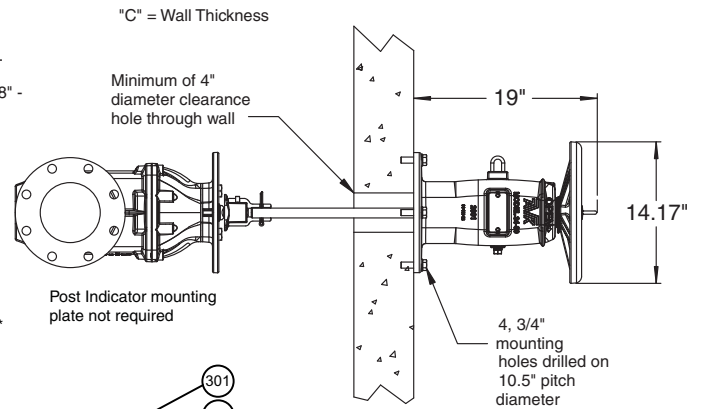
Combine A+B+C to determine which length of Wall Post Stem to order. The length of the Wall Post Stem must be equal to or greater than the sum of A+B+C. If greater than, trim the stem to fall between the dimensions in "Detail A."



Wall Post Stem Lengths

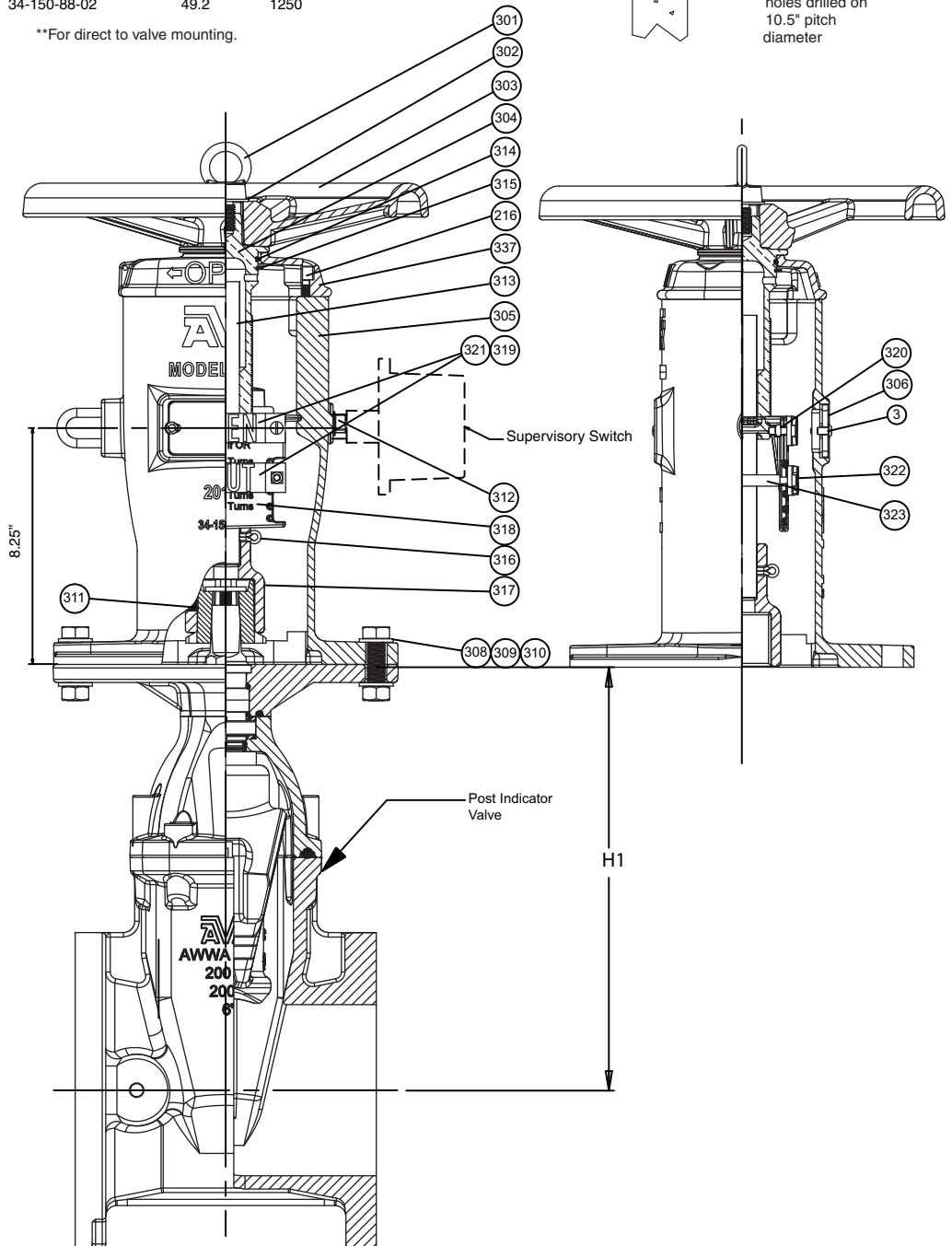
	Inch	MM
34-150-88-00	9.8	250 **
34-150-88-01	29.5	750
34-150-88-02	49.2	1250

**For direct to valve mounting.



Component List:

- 3. Window Screw
- 216. Bonnet Bolt
- 301. Eyebolt
- 302. Eye Bolt Washer M16x50x3
- 303. Handwheel
- 304. Stem Nut
- 305. Wall Post Head
- 306. Window
- 308. Flange Bolt
- 309. Flange Bolt Washer
- 310. Flange Bolt Nut
- 311. Wrench Nut Adapter Set Screw
- 312. Pipe Plug
- 313. Wall Post Stem
- 314. Stem Nut O-Ring
- 315. Stem Nut Snap Ring
- 316. Cotter Pin
- 317. Wrench Nut Adaptor
- 318. Target
- 319. Shut Plate
- 320. Plate Nut
- 321. Open Plate
- 322. Plate Attachment Screw
- 323. Target Spacer
- 337. Bonnet



Valve Size	"H1": Bottom of Pipe to Top of Post Indicator Plate
4"	13"
6"	18"
8"	23"
10"	27"
12"	31"
14"	39"
16"	42"

