

AMERICAN AVK TELESCOPIC INDICATOR POST
To UL 789 - to ULC CEX 1393 - To FM class number 1110
Valve Sizes 4" - 16"

34/0X
TELESCOPIC INDICATOR POST

Use:

Will fit any gate valve (4" - 16") with a post indicator mounting plate and a 2" square wrench nut

Optional Extras:

Bolting Material Option a): Stainless Steel - 316

Stem Lengths To various bury depths

Lower barrels Ductile iron

Standard Materials:

Wrench Nut Adaptor, Ductile iron ASTM A536
 Operating Wrench,
 Post Indicator Bell,
 Indicator Head, Bonnet

Bolts, Nuts, Washers, Stainless steel
 St Screw, Tension Pin,
 Circlip Ring

Upper, Lower Stem, Cold drawn steel

Lower Barrel PVC Pipe

Target, Operating Nut Bronze

Target Sign Aluminum (painted)

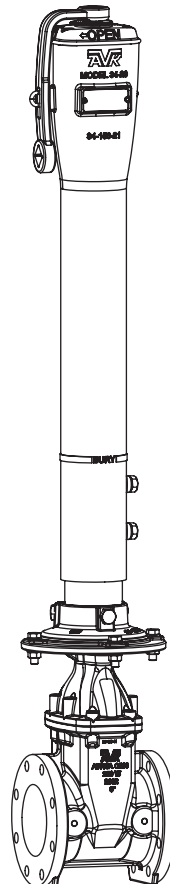
Window Polycarbonate

Approvals:



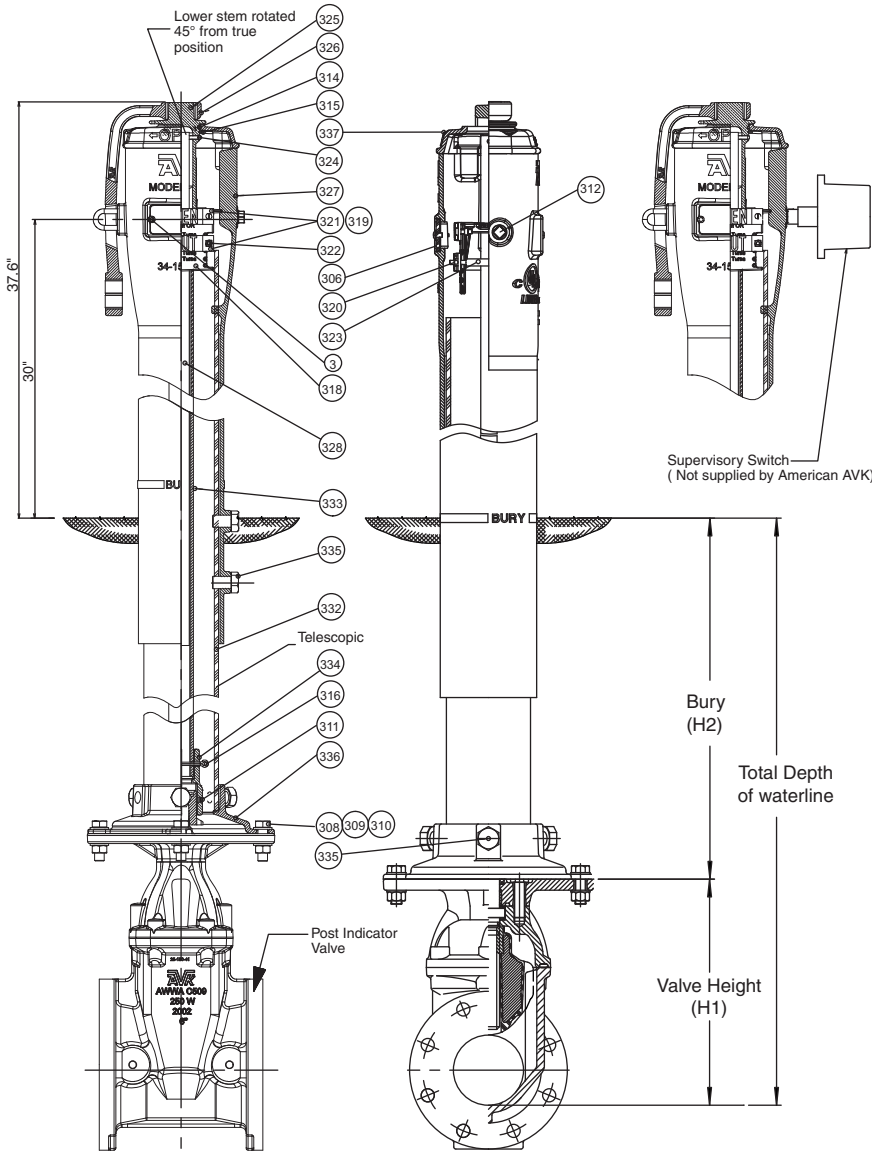
UL/ULC Listed, 4" - 16"

FM Approved, 4" - 14"



AMERICAN AVK TELESCOPIC INDICATOR POST
 To UL 789 - to ULC CEX 1393 - To FM class number 1110
 Valve Sizes 4" - 16"

34/0X
TELESCOPIC INDICATOR POST



Component List:

- 216. Bonnet Bolts (Not shown)
- 3. Window Screw
- 306. Window
- 308. Flange Bolt
- 309. Flange Bolt Washer
- 310. Flange Bolt Nut
- 311. Wrench Nut Adapter Set Screw
- 312. Pipe Plug
- 314. Stem Nut O-Ring
- 315. Stem Nut Snap Ring
- 316. Cotter Pin
- 318. Target
- 319. Shut Plate
- 320. Plate Nut
- 321. Open Plate
- 322. Plate Attachment Screw
- 323. Target Spacer
- 324. Upper Stem Attachment Pin (3400)
- 325. Stem Nut (3400)
- 326. Operating Wrench
- 327. Telescopic Post Head/Barrel Sect.
- 328. Telescopic Post Upper Stem
- 332. Lower Barrel
- 333. Lower Stem
- 334. Wrench Nut Adaptor (3400)
- 335. Telescopic Post Attachment Bolt
- 336. Bell Adapter
- 337. Bonnet

Valve Size	Valve Height (H1)
4"	13"
6"	18"
8"	23"
10"	27"
12"	31"
14"	39"
16" *	42"

* Not FM approved

Bury (H2) = Total depth of waterline - Valve Height (H1)		
	Min.	Max.
<input type="checkbox"/>	20"	43"
<input type="checkbox"/>	42"	65"
<input type="checkbox"/>	64"	87"

For deeper bury depths, contact AVK

