

**AMERICAN AVK TELESCOPIC INDICATOR POST**  
**To UL 789 - to ULC CEX 1393 - To FM class number 1110**  
**Valve Sizes 4" - 16"**

**34/0X**  
**TELESCOPIC INDICATOR POST**

**Use:**

Will fit any gate valve (4" - 16") with a post indicator mounting plate and a 2" square wrench nut

**Optional Extras:**

Bolting Material      Option a): Stainless Steel - 316

Stem Lengths          To various bury depths

Lower barrels          Ductile iron

**Standard Materials:**

Wrench Nut Adaptor,                      Ductile iron ASTM A536  
 Operating Wrench,  
 Post Indicator Bell,  
 Indicator Head, Bonnet

Bolts, Nuts, Washers,                      Stainless steel  
 St Screw, Tension Pin,  
 Circlip Ring

Upper, Lower Stem,                      Cold drawn steel

Lower Barrel                                  PVC Pipe

Target, Operating Nut                      Bronze

Target Sign                                  Aluminum (painted)

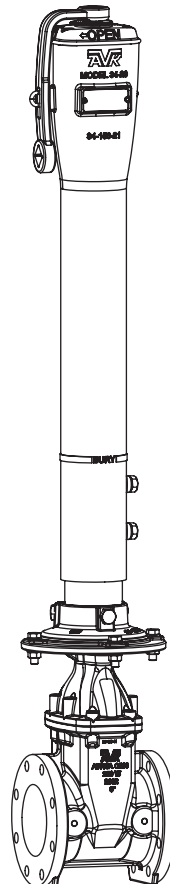
Window    Polycarbonate

**Approvals:**



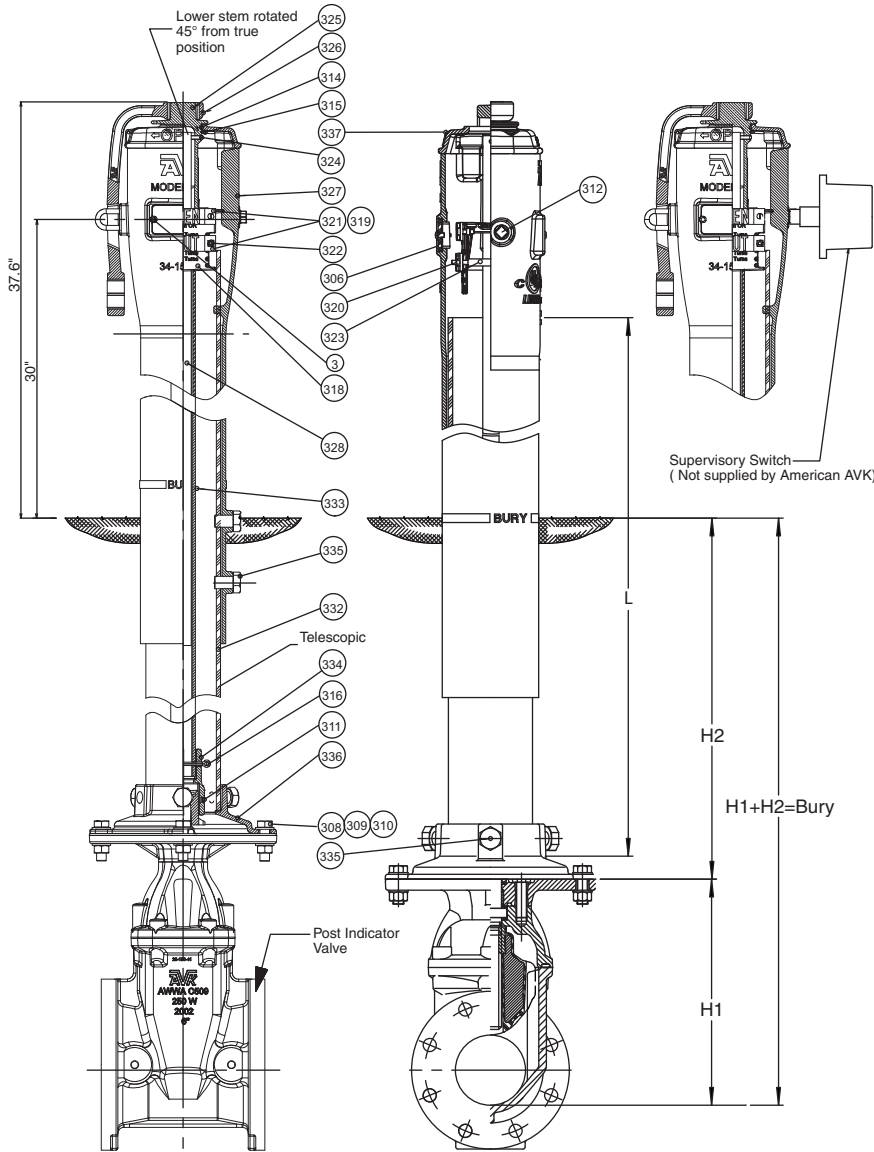
UL/ULC Listed, 4" - 16"

FM Approved, 4" - 14"



**AMERICAN AVK TELESCOPIC INDICATOR POST**  
 To UL 789 - to ULC CEX 1393 - To FM class number 1110  
 Valve Sizes 4" - 16"

**34/0X**  
**TELESCOPIC INDICATOR POST**



**Component List:**

- 216. Bonnet Bolts (Not shown)
- 3. Window Screw
- 306. Window
- 308. Flange Bolt
- 309. Flange Bolt Washer
- 310. Flange Bolt Nut
- 311. Wrench Nut Adapter Set Screw
- 312. Pipe Plug
- 314. Stem Nut O-Ring
- 315. Stem Nut Snap Ring
- 316. Cotter Pin
- 318. Target
- 319. Shut Plate
- 320. Plate Nut
- 321. Open Plate
- 322. Plate Attachment Screw
- 323. Target Spacer
- 324. Upper Stem Attachment Pin (3400)
- 325. Stem Nut (3400)
- 326. Operating Wrench
- 327. Telescopic Post Head/Barrel Sect.
- 328. Telescopic Post Upper Stem
- 332. Lower Barrel
- 333. Lower Stem
- 334. Wrench Nut Adaptor (3400)
- 335. Telescopic Post Attachment Bolt
- 336. Bell Adapter
- 337. Bonnet

PI #	H2	
	Min Depth	Max Depth
34-150-0000	20"	43"
34-150-0001	42"	65"
34-150-0002	64"	87"
34-150-0003	82"	105"
34-150-0005	125"	148"

Valve Size	H1	34-150-0000 H1+H2		34-150-0001 H1+H2		34-150-0002 H1+H2		34-150-0003 H1+H2		34-150-0005 H1+H2	
		Min Bury	Max Bury	Min Bury	Max Bury	Min Bury	Max Bury	Min Bury	Max Bury	Min Bury	Max Bury
4"	13"	33"	56"	55"	78"	77"	100"	95"	118"	138"	161"
6"	18"	38"	61"	60"	83"	82"	105"	100"	123"	143"	166"
8"	23"	43"	66"	65"	88"	87"	110"	105"	128"	148"	171"
10"	27"	47"	70"	69"	92"	91"	114"	109"	132"	152"	175"
12"	31"	51"	74"	73"	96"	95"	118"	113"	136"	156"	179"
14"	39"	59"	82"	81"	104"	103"	126"	121"	144"	164"	187"
16" *	42"	62"	85"	84"	107"	106"	129"	124"	147"	167"	190"

\* Not FM approved

