

**AMERICAN AVK TELESCOPIC INDICATOR POST**  
**To UL 789 - to ULC CEX 1393 - To FM class number 1110**  
**Valve Sizes 2½" - 24"**

**34/0X**  
**TELESCOPIC INDICATOR POST**

**Use:**

Will fit any gate valve (4" - 24") with a post indicator mounting plate and a 2" square wrench nut

**Optional Extras:**

Bolting Material      Option a): Stainless Steel - 316

Stem Lengths          To various bury depths

Lower barrels          Ductile iron

**Standard Materials:**

Wrench Nut Adaptor, Operating Wrench, Post Indicator Bell, Indicator Head, Bonnet	Ductile iron ASTM A536
--	------------------------

Bolts, Nuts, Washers,	304 Stainless steel
-----------------------	---------------------

Set Screw, Tension Pin, Circlip Ring	Stainless steel
---	-----------------

Upper, Lower Stem,	Cold drawn steel
--------------------	------------------

Lower Barrel	PVC Pipe
--------------	----------

Target, Operating Nut	Bronze
-----------------------	--------

Target Sign	Aluminum (painted)
-------------	--------------------

Window	Polycarbonate
--------	---------------

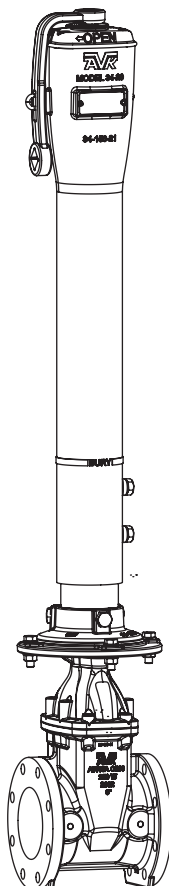
**Approvals:**



UL/ULC Listed, 4" - 24"\*

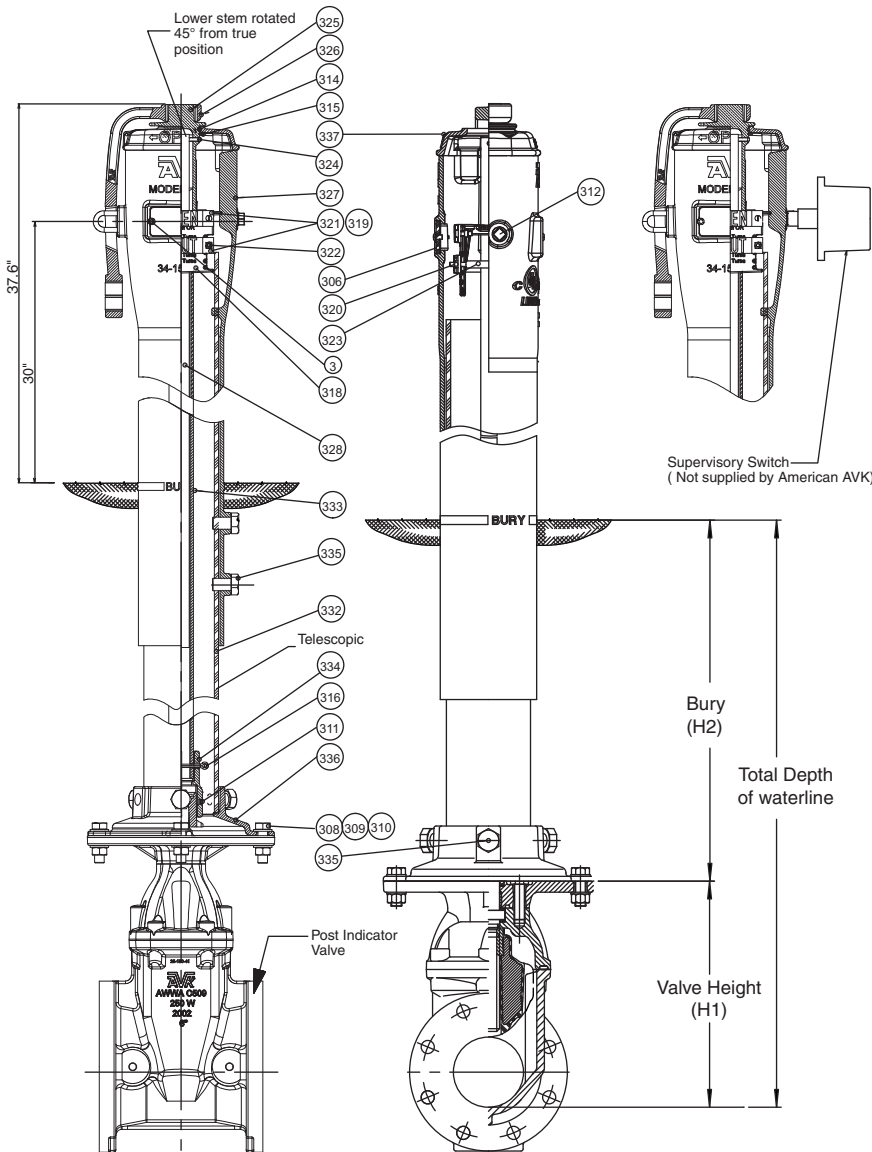
FM Approved, 4" - 16"

\*2½"-3" not UL/ULC - FM Approved



**AMERICAN AVK TELESCOPIC INDICATOR POST**  
 To UL 789 - to ULC CEX 1393 - To FM class number 1110  
 Valve Sizes 2½" - 24"

**34/0X**  
**TELESCOPIC INDICATOR POST**



**Component List:**

- 216. Bonnet Bolts (Not shown)
- 3. Window Screw
- 306. Window
- 308. Flange Bolt
- 309. Flange Bolt Washer
- 310. Flange Bolt Nut
- 311. Wrench Nut Adapter Set Screw
- 312. Pipe Plug
- 314. Stem Nut O-Ring
- 315. Stem Nut Snap Ring
- 316. Cotter Pin
- 318. Target
- 319. Shut Plate
- 320. Plate Nut
- 321. Open Plate
- 322. Plate Attachment Screw
- 323. Target Spacer
- 324. Upper Stem Attachment Pin (3400)
- 325. Stem Nut (3400)
- 326. Operating Wrench
- 327. Telescopic Post Head/Barrel Sect.
- 328. Telescopic Post Upper Stem
- 332. Lower Barrel
- 333. Lower Stem
- 334. Wrench Nut Adaptor (3400)
- 335. Telescopic Post Attachment Bolt
- 336. Bell Adapter
- 337. Bonnet

Valve Size	Valve Height (H1)
2½" *	11"
3" *	11"
4"	13"
6"	18"
8"	23"
10"	27"
12"	31"
14"	39"
16"	42"
18"	50"
20"	50"
24"	60"

Bury (H2) = Total depth of waterline - Valve Height (H1)		
	Min.	Max.
<input type="checkbox"/>	20"	43"
<input type="checkbox"/>	42"	65"
<input type="checkbox"/>	64"	87"
<input type="checkbox"/>	86"	109"
<input type="checkbox"/>	104"	127"
<input type="checkbox"/>	126"	149"

For deeper bury depths, contact AVK

\*2½"-3" not UL/ULC - FM Approved

