

AMERICAN AVK HIGH PRESSURE, 350 PSI, THREADED NOZZLE, 3 OUTLET, 24T/PPH WET BARREL HYDRANT - Meets or exceeds AWWA C503 (latest) WET HIGH PRESSURE

Use:
For water and neutral liquids to maximum 160°F.

Tests:
Hydraulic test to AWWA C503:
Shell Test: 700 PSI

Options:
Break Flange
Hydrant Check Valve (FlowGuard II ®)

Approvals:

UL Listed
Certified to: ANSI/NSF 61, ANSI/NSF 372





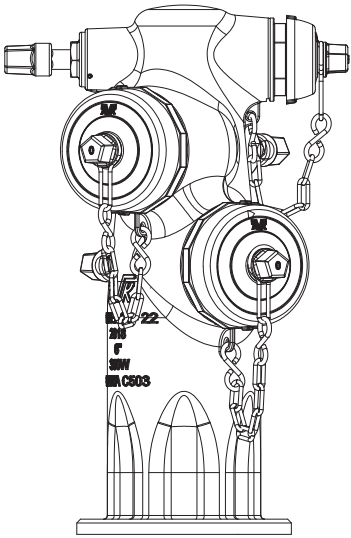
Certified to NSF/ANSI 61 Certified to NSF/ANSI 372

Standard Materials:

| | |
|-------------------------------------------------------|-----------------------------------------------------|
| Nozzle Section | Ductile iron ASTM A536 |
| Caps, Dummy Nuts | Cast iron ASTM A126 class B |
| Stems, Nozzles, Stem Nuts | Bronze |
| Valve Discs | Bronze encapsulated with Nitrile Rubber |
| O-rings, | NBR |
| Cap Gaskets | Neoprene rubber |
| Nozzle Retainer Screws Thrust Collars, Thrust Nuts | Stainless Steel |
| Cap Chains | Zinc Plated Steel |
| Coating | Electrostatically applied fusion-bonded epoxy-resin |

Note: Nozzles, Stem Nuts and Stem Seals field replaceable

Pumper Nozzles interchangeable from 4" to 4½"



Series 2422-PHH
2 Pumper, 1 Hose Outlet

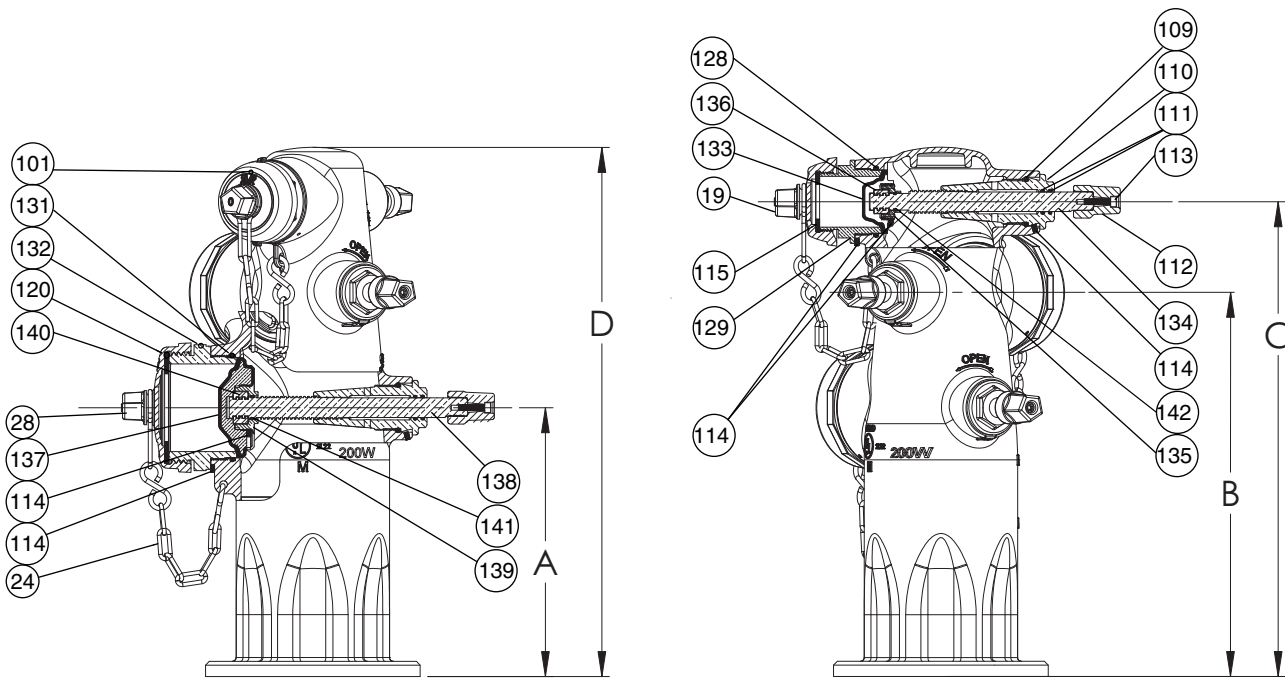


AMERICAN AVK HIGH PRESSURE, 350 PSI, THREADED NOZZLE, 3 OUTLET, WET BARREL HYDRANT - Meets or exceeds AWWA C503 (latest)

24T/PPH WET HIGH PRESSURE

Component List:

- | | | |
|-------------------------------|------------------------------------|-----------------------------|
| 19. Hose Nozzle Cap | 114. Retaining Screw | 135. 2.5" Thrust Nut |
| 24. Chain Set | 115. Hose Nozzle Cap Gasket | 136. 2.5" Thrust Collar |
| 28. Pumper Cap | 120. Pumper Cap Gasket | 137. 4.5" Valve Disc |
| 101. Nozzle Section | 128. Threaded Hose Nozzle O-ring | 138. 4.5" Valve Stem |
| 109. Outer Stem Nut O-Ring | 129. Threaded Hose Nozzle | 139. 4.5" Thrust Nut |
| 110. Stem Nut | 131. Threaded Pumper Nozzle O-ring | 140. 4.5" Thrust Collar |
| 111. Inner Stem Nut O-Ring | 132. Threaded Pumper Nozzle | 141. 4.5" Thrust Nut O-ring |
| 112. Dummy Nut | 133. 2.5" Valve Disc | 142. 2.5" Thrust Nut O-Ring |
| 113. Dummy Nut Retaining Bolt | 134. 2.5" Valve Stem | |



| Ref No. | Outlets | A | B | C | D | Weights (lbs) |
|---------|----------------------|-----|--------|--------|--------|---------------|
| 24T-PPH | 1x2.5", 2x4"/4.5"/5" | 14" | 20.00" | 24.72" | 27.56" | 150 |

With optional factory assembled breakable unit, add 42 lbs. to shipping weight.

6 and 8 hole bolting patterns available

