

AMERICAN AVK HIGH PRESSURE, 350 PSI, THREADED NOZZLE, 3 OUTLET, 24T/PPH WET BARREL HYDRANT - Meets or exceeds AWWA C503 (latest) WET HIGH PRESSURE




Use:
For water and neutral liquids to maximum 160°F.

Tests:
Hydraulic test to AWWA C503:
Shell Test: 700 PSI

Options:
Break Flange
Hydrant Check Valve (FlowGuard II ®)

Approvals:

UL Listed
at 250 PSI
Certified to: ANSI/NSF 61, ANSI/NSF 372

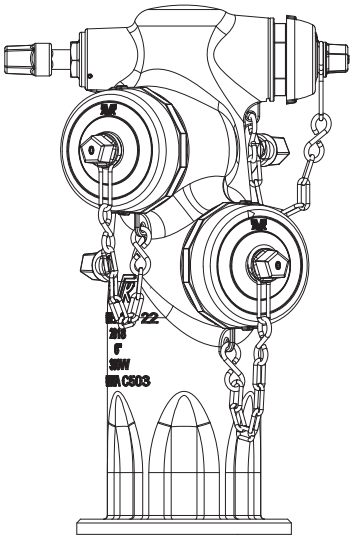




Standard Materials:

Nozzle Section	Ductile iron ASTM A536
Caps, Dummy Nuts	Cast iron ASTM A126 class B
Stems, Nozzles, Stem Nuts	Bronze
Valve Discs	Bronze encapsulated with Nitrile Rubber
O-rings,	NBR
Cap Gaskets	Neoprene rubber
Nozzle Retainer Screws Thrust Collars, Thrust Nuts	Stainless Steel
Cap Chains	Zinc Plated Steel
Coating	Electrostatically applied fusion-bonded epoxy-resin

Note: Nozzles, Stem Nuts and Stem Seals field replaceable

Pumper Nozzles interchangeable from 4" to 4½"



Series 2422-PPH
2 Pumper, 1 Hose Outlet

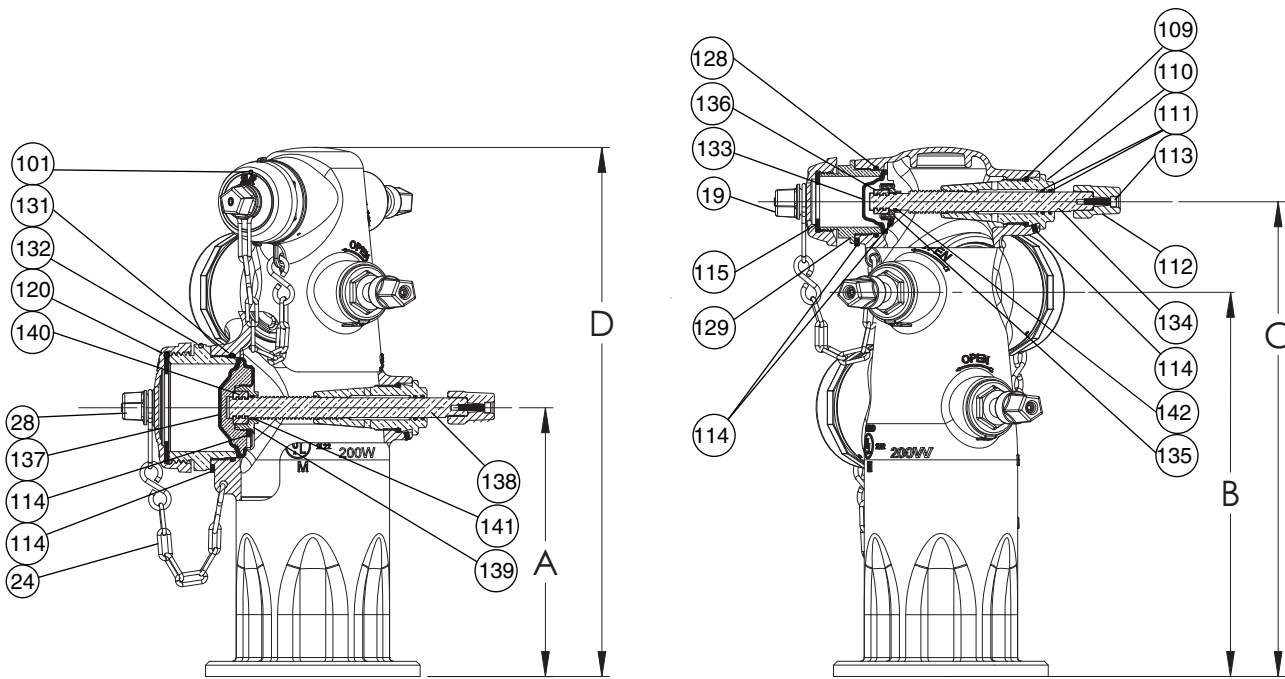


AMERICAN AVK HIGH PRESSURE, 350 PSI, THREADED NOZZLE, 3 OUTLET, WET BARREL HYDRANT - Meets or exceeds AWWA C503 (latest)

**24T/PPH
WET HIGH PRESSURE**

Component List:

- | | | |
|-------------------------------|------------------------------------|-----------------------------|
| 19. Hose Nozzle Cap | 114. Retaining Screw | 135. 2.5" Thrust Nut |
| 24. Chain Set | 115. Hose Nozzle Cap Gasket | 136. 2.5" Thrust Collar |
| 28. Pumper Cap | 120. Pumper Cap Gasket | 137. 4.5" Valve Disc |
| 101. Nozzle Section | 128. Threaded Hose Nozzle O-ring | 138. 4.5" Valve Stem |
| 109. Outer Stem Nut O-Ring | 129. Threaded Hose Nozzle | 139. 4.5" Thrust Nut |
| 110. Stem Nut | 131. Threaded Pumper Nozzle O-ring | 140. 4.5" Thrust Collar |
| 111. Inner Stem Nut O-Ring | 132. Threaded Pumper Nozzle | 141. 4.5" Thrust Nut O-ring |
| 112. Dummy Nut | 133. 2.5" Valve Disc | 142. 2.5" Thrust Nut O-Ring |
| 113. Dummy Nut Retaining Bolt | 134. 2.5" Valve Stem | |



Ref No.	Outlets	A	B	C	D	Weights (lbs)
24T-PPH	1x2.5", 2x4"/4.5"/5"	14"	20.00"	24.72"	27.56"	150

With optional factory assembled breakable unit, add 42 lbs. to shipping weight.

6 and 8 hole bolting patterns available

