

**AMERICAN AVK HIGH PRESSURE, 350 PSI, THREADED NOZZLE, 3 OUTLET, 24T/PHH WET BARREL HYDRANT - Meets or exceeds AWWA C503 (latest) WET HIGH PRESSURE**

**Use:**  
For water and neutral liquids to maximum 160°F.

**Tests:**  
Hydraulic test to AWWA C503:  
Shell Test: 700 PSI

**Options:**  
Break Flange  
Hydrant Check Valve (FlowGuard II ®)

**Approvals:**  
UL Listed,  
FM Approved  
at 250 PSI  
Certified to: ANSI/NSF 61, ANSI/NSF 372



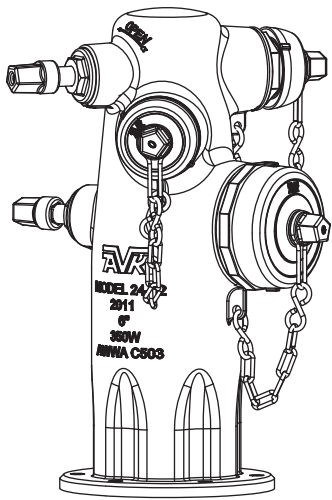



**Standard Materials:**

Nozzle Section	Ductile iron ASTM A536
Caps, Dummy Nuts	Cast iron ASTM A126 class B
Stems, Nozzles, Stem Nuts	Bronze
Valve Discs	Bronze encapsulated with Nitrile Rubber
O-rings,	NBR
Cap Gaskets	Neoprene rubber
Nozzle Retainer Screws Thrust Collars, Thrust Nuts	Stainless Steel
Cap Chains	Zinc Plated Steel
Coating	Electrostatically applied fusion-bonded epoxy-resin

Note: Nozzles, Stem Nuts and Stem Seals field replaceable

Pumper Nozzles interchangeable from 4" to 4½"



Series 2492-PHH  
1 Pumper, 2 Hose Outlet

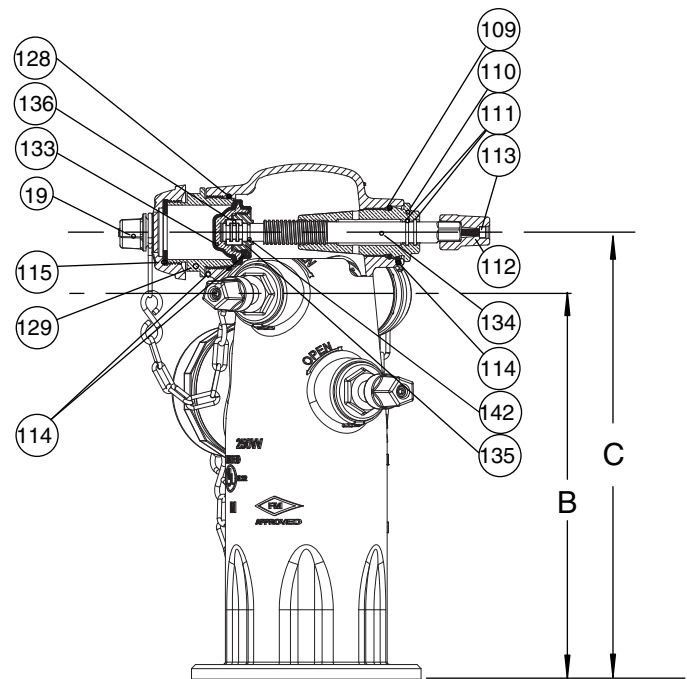
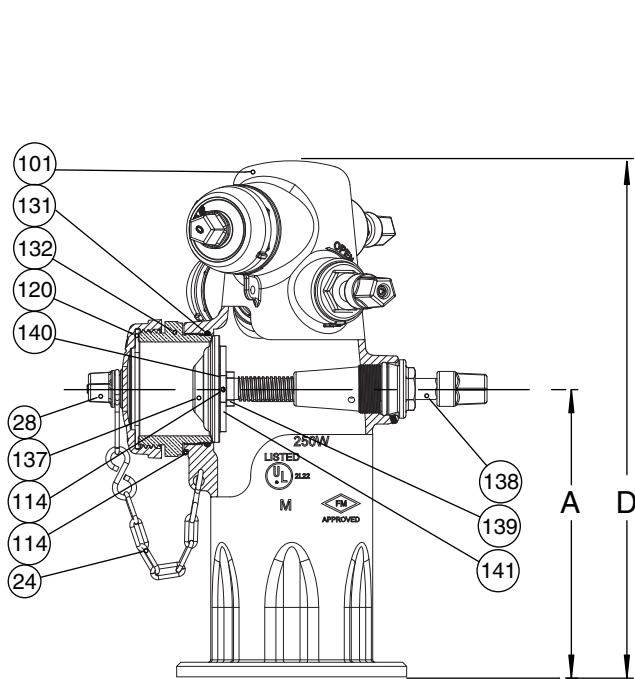


**AMERICAN AVK HIGH PRESSURE, 350 PSI, THREADED NOZZLE, 3 OUTLET, WET BARREL HYDRANT - Meets or exceeds AWWA C503 (latest)**

**24T/PHH WET HIGH PRESSURE**

**Component List:**

- |                               |                                    |                             |
|-------------------------------|------------------------------------|-----------------------------|
| 19. Hose Nozzle Cap           | 114. Retaining Screw               | 135. 2.5" Thrust Nut        |
| 24. Chain Set                 | 115. Hose Nozzle Cap Gasket        | 136. 2.5" Thrust Collar     |
| 28. Pumper Cap                | 120. Pumper Cap Gasket             | 137. 4.5" Valve Disc        |
| 101. Nozzle Section           | 128. Threaded Hose Nozzle O-ring   | 138. 4.5" Valve Stem        |
| 109. Outer Stem Nut O-Ring    | 129. Threaded Hose Nozzle          | 139. 4.5" Thrust Nut        |
| 110. Stem Nut                 | 131. Threaded Pumper Nozzle O-ring | 140. 4.5" Thrust Collar     |
| 111. Inner Stem Nut O-Ring    | 132. Threaded Pumper Nozzle        | 141. 4.5" Thrust Nut O-ring |
| 112. Dummy Nut                | 133. 2.5" Valve Disc               | 142. 2.5" Thrust Nut O-Ring |
| 113. Dummy Nut Retaining Bolt | 134. 2.5" Valve Stem               |                             |



Ref No.	Outlets	A	B	C	D	Weights (lbs)
24T-PHH	2x2.5", 1x4.5"	14"	18.75"	21.75"	25"	136

With optional factory assembled breakable unit, add 42 lbs. to shipping weight.

