

**AMERICAN AVK HIGH PRESSURE, 200 PSI, 3 OUTLET,
WET BARREL HYDRANT** - Meets or exceeds AWWA C503 (latest)

**241/PHH
WET DUCTILE**

Use:

For water and neutral liquids to maximum 160°F.

Tests:

Hydraulic test to AWWA C503:
Shell Test: 400 PSI

Options:

Break Flange
Hydrant Check Valve (FlowGuard II ®)
Storz Nozzles, 2½" through 5" *

Approvals:
UL Listed,
FM approved



Factory Mutual System



Certified to: ANSI/NSF 61, ANSI/NSF 372

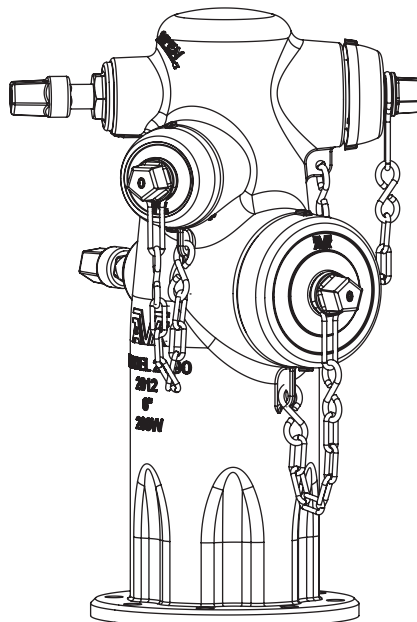
* Storz aluminum cap, UL/FM, Storz iron cap, non - UL/FM

Standard Materials:

Nozzle Section	Ductile iron ASTM A536
Caps, Dummy Nuts	Cast iron ASTM A126 class B
Stems, Nozzles, Stem Nuts	Bronze
Valve Discs	Bronze encapsulated with Nitrile Rubber
O-rings,	NBR
Cap Gaskets	Neoprene rubber
Nozzle Retainer Screws Thrust Collars, Thrust Nuts	Stainless Steel
Cap Chains	Zinc Plated Steel
Coating	Electrostatically applied fusion-bonded epoxy-resin

Note: Nozzles, Stem Nuts and Stem Seals field replaceable

Pumper Nozzles interchangeable from 4" to 4½"

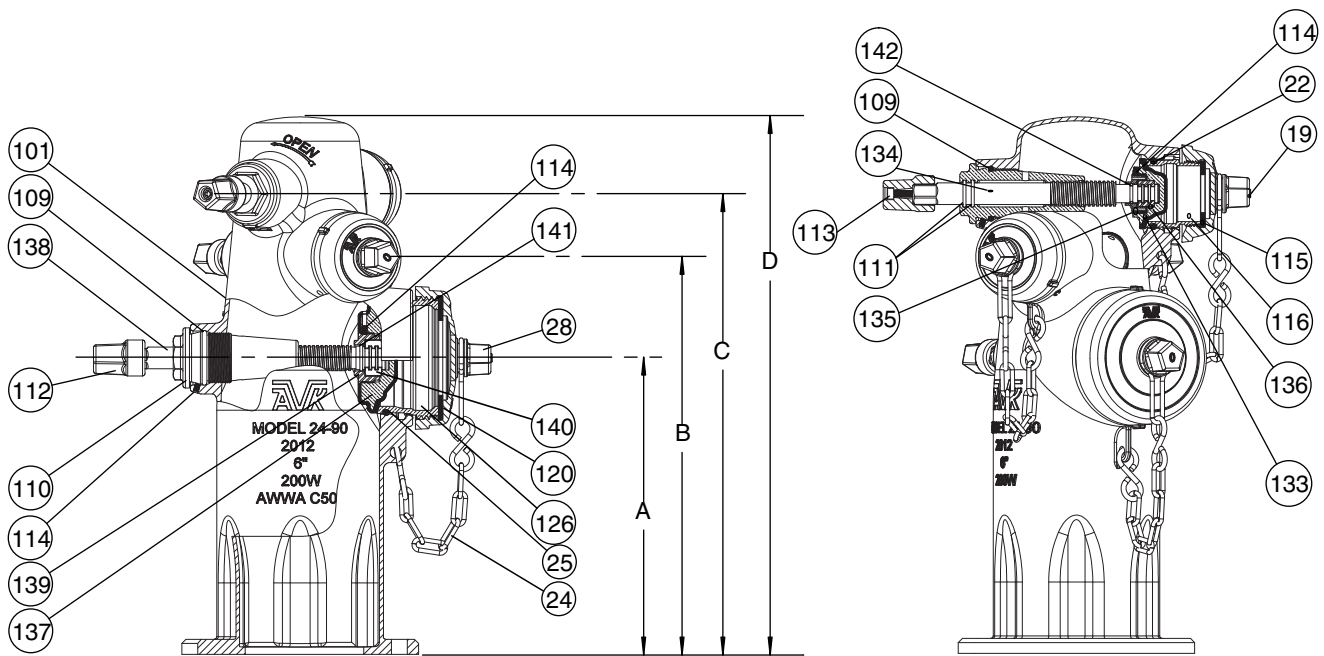


Series 2491-PHH
1 Pumper, 2 Hose Outlet



Component List:

- | | | |
|--|-------------------------------|-----------------------------|
| 19. Hose Nozzle Cap | 111. Inner Stem Nut O-Ring | 134. 2.5" Valve Stem |
| 22. Hose Nozzle O-Ring | 112. Dummy Nut | 135. 2.5" Thrust Nut |
| 23. Nozzle Retaining Screw (not shown) | 113. Dummy Nut Retaining Bolt | 136. 2.5" Thrust Collar |
| 24. Chain Set | 114. Stem Nut Retaining Screw | 137. 4.5" Valve Disc |
| 25. Pumper Nozzle O-Ring | 115. Hose Nozzle Cap Gasket | 138. 4.5" Valve Stem |
| 28. Pumper Cap | 116. Hose Nozzle | 139. 4.5" Thrust Nut |
| 101. Nozzle Section | 120. Pumper Cap Gasket | 140. 4.5" Thrust Collar |
| 109. Outer Stem Nut O-ring | 126. Pumper Nozzle | 141. 4.5" Thrust Nut O-ring |
| 110. Stem Nut | 133. 2.5" Valve Disc | 142. 2.5" Thrust Nut O-ring |



Ref No.	Outlets	A	B	C	D	Weights (lbs)
241-PHH	2x2.5", 1x4.5"	14"	18.75"	21.75"	25.38"	136

With optional factory assembled breakable unit, add 42 lbs. to shipping weight.

