

AMERICAN AVK RESILIENT SEATED DUCTILE IRON GATE VALVE
250 PSI, Tested to AWWA C509 (NRS)
NPT threaded ends - Valve sizes 1" through 3"

03/TTN
NPT

Use:

For water and neutral liquids to maximum 160°F.

Tests:

Hydraulic test to AWWA C509:

Shell Test: 500 PSI

Seat Test: 250 PSI

Operating Torque Test

Optional Materials:

Bonnet Bolts Stainless Steel - 316
 sealed with hot melt

Gland Bolts Stainless Steel - 316
 Hexagon Bolt

Stem Stainless Steel - 316

Standard Materials:

Body, Bonnet, Ductile iron ASTM A536
 Gland Flange, (Wrench Nut-painted black for
 Wrench Nut open left, red for open right)

Coating Electrostatically applied fusion-
 bonded epoxy-resin
 Meets or exceeds AWWA C550

Stem Standard: Stainless steel
 ASTM A582

Wedge Brass - encapsulated with
 EPDM-rubber compound

Bonnet Bolts Stainless Steel - 304
 sealed with hot melt

Gland Bolts Stainless Steel - 304
 Hexagon bolt

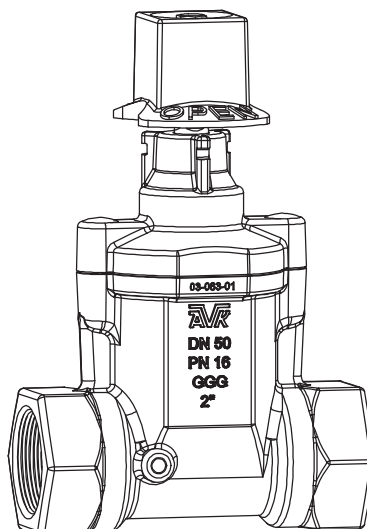
Bonnet Gasket, ASTM D2000 Buna "N" nitrile
 Wiper Ring, rubber
 O-Ring Stem Seals

Stem Collar Brass

Stem Seal Polyamide

Approvals:

Certified to:
 NSF/ANSI 61
 NSF/ANSI 372

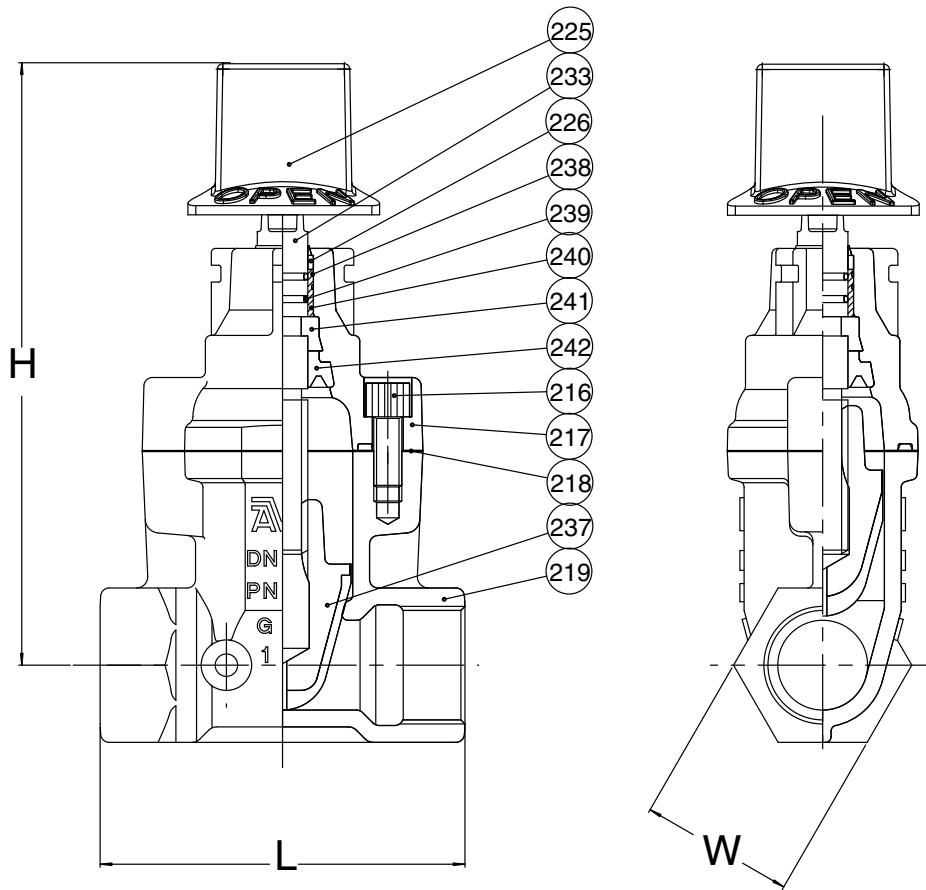


AMERICAN AVK RESILIENT SEATED DUCTILE IRON GATE VALVE
250 PSI, Tested to AWWA C509 (NRS)
NPT threaded ends - Valve sizes 1" through 3"

03/TTN
NPT

Component List:

- | | |
|--------------------|--------------------|
| 216. Bonnet Bolt | 237. Wedge |
| 217. Bonnet | 238. Outer O-rings |
| 218. Bonnet Gasket | 239. Inner O-rings |
| 219. Body | 240. Slide Bearing |
| 225. Wrench Nut | 241. Stem Collar |
| 226. Wiper Ring | 242. Stem Seal |
| 233. Stem | |



Ref No.	Size	H	L	W	Turns to Open	Wt. Lbs.
03-032-TTN	1.00"	8.63"	4.50"	1.81"	7	8
03-040-TTN	1.25"	9.25"	5.13"	2.19"	9	9
03-050-TTN	1.50"	9.83"	6.00"	2.38"	11	14
03-063-TTN	2.00"	10.50"	7.00"	3.00"	13	18
03-075-TTN	2.50"	12.25"	6.69"	3.54"	11	25
03-090-TTN	3.00"	12.09"	7.28"	4.13"	13	32

