

AMERICAN AVK HDPE FUSIBLE BUTTERFLY VALVE

89/PEBFV
HDPE/BFV FE

HDPE fusible ends, (IPS, SDR 11, standard) - Valve sizes 2" - 18"

Use:

The AVK series 89/5X TIMESAVER™ HDPE fusible butterfly valve, has a body made from 100% high density polyethylene that can be used in a wide range of chemical, fluid, and gas applications. They are designed for quick, direct heat fusion into polyethylene piping systems, providing a leak-free system which requires no additional flange adapters, spacers, back-up rings or hardware.

Tests:

Every valve is performance tested per ASME B16.40

Features:

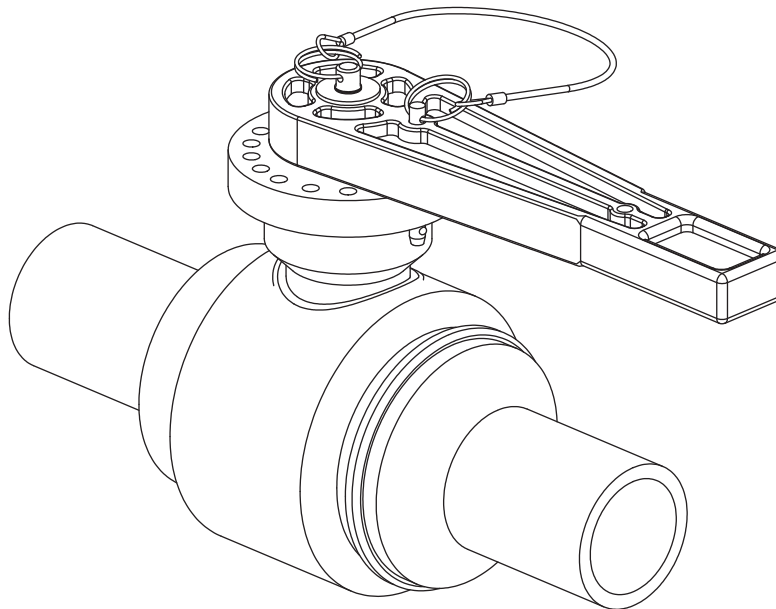
- 100% HDPE body
- IPS, SDR 11, HDPE fusible ends (standard)
- 316 stainless steel stems
- Operating levers for 2" - 6" sizes
- Gearboxes for 8" - 18" sizes

Standard Materials:

Valve Body, Reducer	HDPE, PE100 Class
Upper, Lower Stem Disc	Stainless steel – 316
Seat	NBR rubber (standard)

Optional Extras:

- Electric and pneumatic actuation
- Stem extension kits (1'-9', in 1' increments) other lengths available upon request
- SDR 7 and SDR 9 sizes available upon request



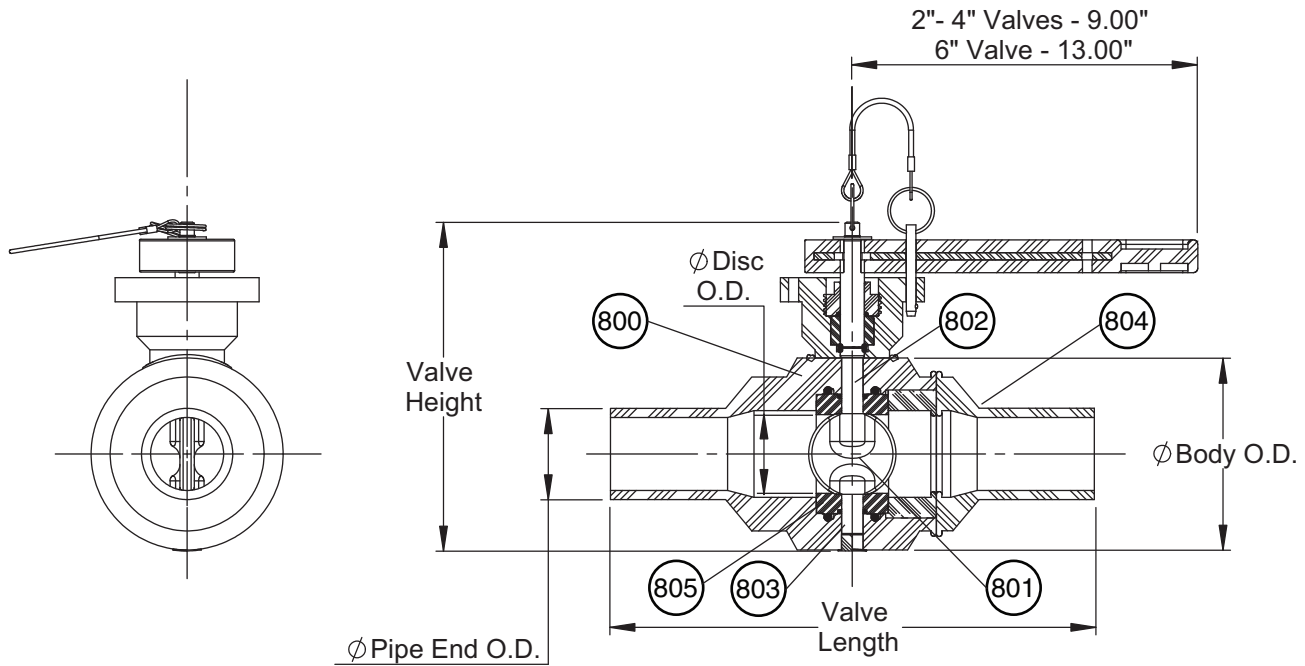
AMERICAN AVK HDPE FUSIBLE BUTTERFLY VALVE

**89/PEBFV
HDPE/BFV**

HDPE fusible ends, (IPS, SDR 11, standard) - Valve sizes 2" - 18"

Components

800. Valve Body 801. Disc 802. Upper Stem 803. Lower Stem 804. Reducer 805. Seat



AVK ref. nos.	Size IPS	Body O.D. in.	Disc O.D. in.	Valve Length in.	Pipe End O.D. in.	Pipe End min-wall, SDR-11 in	Valve Height in.	Cv@ 90°	Δ P psi Valve @ 10ft/Sec	Equiv. Lg. SDR 11 Pipe-Ft **	Weight lbs.
89-050-PEBFV	2" ***	5.00	2.27	13.00	2.38	0.216	9.00	145	0.40	5.30	4
89-080-PEBFV	3" ***	6.37	3.31	13.00	3.50	0.318	10.50	325	0.40	7.70	10
89-100-PEBFV	4" ***	8.40	4.17	18.20	4.50	0.409	12.50	590	0.30	8.60	15
89-150-PEBFV	6" ***	10.35	6.06	20.50	6.63	0.602	15.00	1950	0.20	5.70	24
89-200-PEBFV	8"	15.00	7.85	24.00	8.63	0.784	20.00	3250	0.20	8.00	80
89-250-PEBFV	10"	17.75	9.77	25.00	10.75	0.977	23.00	5000	0.13	10.60	105
89-300-PEBFV	12"	20.58	11.81	32.00	12.75	1.159	26.00	7500	0.12	11.30	145
89-350-PEBFV	14"	22.50	13.20	34.00	14.00	1.273	37.42*	10000	0.10	10.30	175
89-400-PEBFV	16"	26.50	15.24	44.00	16.00	1.455	42.38*	13000	0.10	11.00	290
89-500-PEBFV	18"	30.00	17.15	50.00	18.00	1.636	48.13*	18000	0.084	11.88	535

* Includes gear operator and 18" handwheel

** Number of feet of pipe with the same pressure drop as experienced across the valve at 10 ft/sec.

20" - 24" valves and other SDR class sizes available upon request

*** 2" - 6" valves include levers, all other sizes require gearboxes

