

# AMERICAN AVK HDPE FUSIBLE WAFER BUTTERFLY VALVE

891/PEBFV  
HDPE/WT

Bolting pattern to ASME/ANSI B16.1 Class 125, Valve sizes 2" through 12"

### Use:

The AVK TimeSaver™ Wafer Butterfly Valves are designed to be installed into flanged piping systems - whether HDPE or not. The Series 891 utilizes existing flanges and eliminates the need for valve spacers. The wafer valve is preferred in applications where easy access into the piping system is needed.

### Tests:

Every valve is performance tested per ASME B16.40.

### Features:

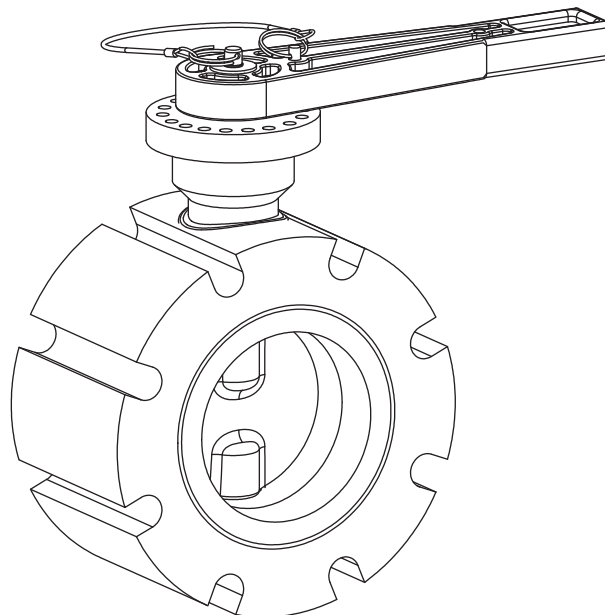
- 100% HDPE body
- 316 stainless steel stems
- Operating levers for 2" - 6" sizes
- Gearboxes for 8" - 12" sizes

### Standard Materials:

Valve Body, Reducer	HDPE, PE100 Class
Upper, Lower Stem Disc	Stainless steel – 316
Seat	NBR rubber (standard)

### Optional Extras:

- Electric and pneumatic actuation
- Stem extension kits (1'-9', in 1' increments) other lengths available upon request
- SDR 7 and SDR 9 sizes available upon request



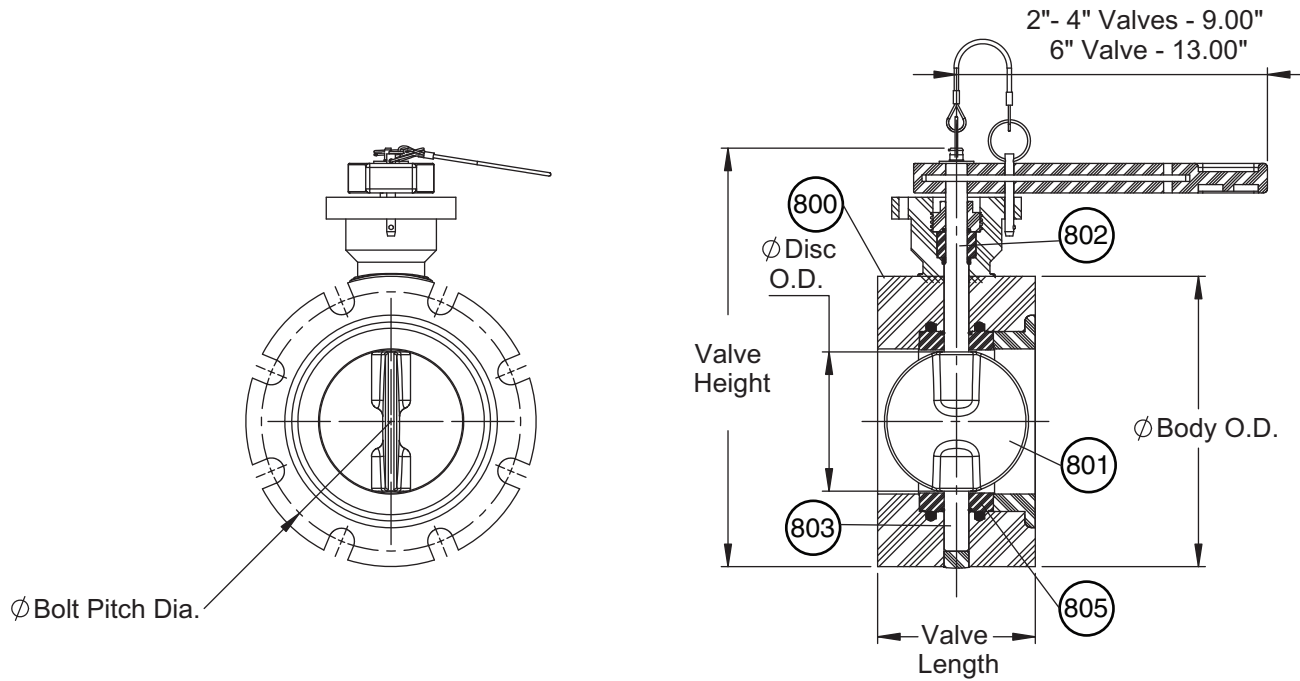
# AMERICAN AVK HDPE FUSIBLE WAFER BUTTERFLY VALVE

891/PEBFV  
HDPE/WT

Bolting pattern to ASME/ANSI B16.1 Class 125, Valve sizes 2" through 12"

## Components

800. Valve Body      801. Disc      802. Upper Stem      803. Lower Stem      805. Seat



AVK ref. nos.	Size IPS	Body O.D. in.	Disc O.D. in.	Valve Height in.	Bolt Pitch Dia. in.	Valve Length in.	Cv@ 90°	Δ P psi Valve @ 10ft/Sec	Equiv. Lg. SDR 11 Pipe-Ft *	Bolt Qty.	Bolt Torque Ft. lbs.	Weight lbs.
		B	D1	H	K	L						
891-050-PEBFV	2"	5.00	2.27	9.00	4.75	4.38	145	0.40	5.30	4	80-90	4
891-080-PEBFV	3"	6.37	3.31	10.50	6.00	4.50	325	0.40	7.70	4	80-90	10
891-100-PEBFV	4"	8.40	4.17	12.50	7.50	4.50	590	0.30	8.60	8	80-90	12
891-150-PEBFV	6"	10.35	6.06	15.00	9.50	5.75	1950	0.20	5.70	8	140-150	20
891-200-PEBFV	8"	15.00	7.85	20.00	11.75	6.50	3250	0.13	8.00	8	140-150	45
891-250-PEBFV	10"	17.75	9.77	23.00	14.25	7.75	5000	0.12	10.60	12	190-200	65
891-300-PEBFV	12"	20.58	11.81	26.00	17.00	9.00	7500	0.10	11.30	12	190-200	85

\* Number of feet of pipe with the same pressure drop as experienced across the valve at 10 ft/sec.

