

# AMERICAN AVK HDPE FUSIBLE DUAL CONTAINMENT VALVE

890/PEBFV  
HDPE/DCV

HDPE fusible ends, (IPS, SDR 11, standard) - Valve sizes 2" x 4" through 6" x 10"

### Use:

The AVK TimeSaver™ Dual-Containment Butterfly Valves include a second pipe housing. This unit can be fused into new or existing dual-containment (Double Wall) HDPE pipelines, eliminating the need for valve boxes or vaults. The Series 890 provides a cost effective solution with a sound engineering design, created to provide reliable environmental protection.

### Tests:

Every valve is performance tested per ASME B16.40.  
Containment shell tested @ 70 psi at 73° F.

### Features:

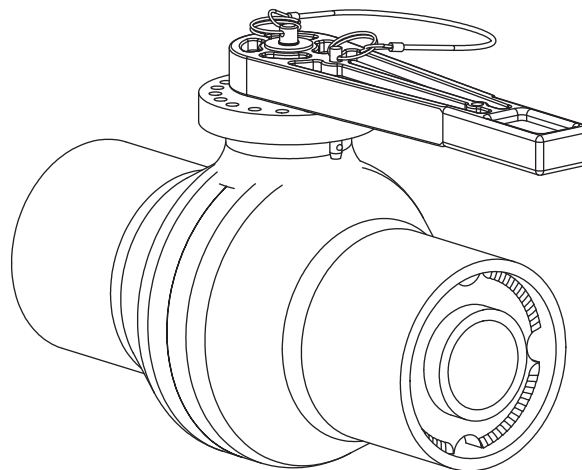
- 100% HDPE body
- IPS, SDR 11, HDPE fusible ends (standard)
- 316 stainless steel stems
- Operating levers

### Standard Materials:

Valve Body, Reducer	HDPE, PE100 Class
Upper, Lower Stem Disc	Stainless steel – 316
Seat	NBR rubber (standard)

### Optional Extras:

- Electric and pneumatic actuation
- Stem extension kits (1'-9', in 1' increments) other lengths available upon request
- SDR 7 and SDR 9 sizes available upon request



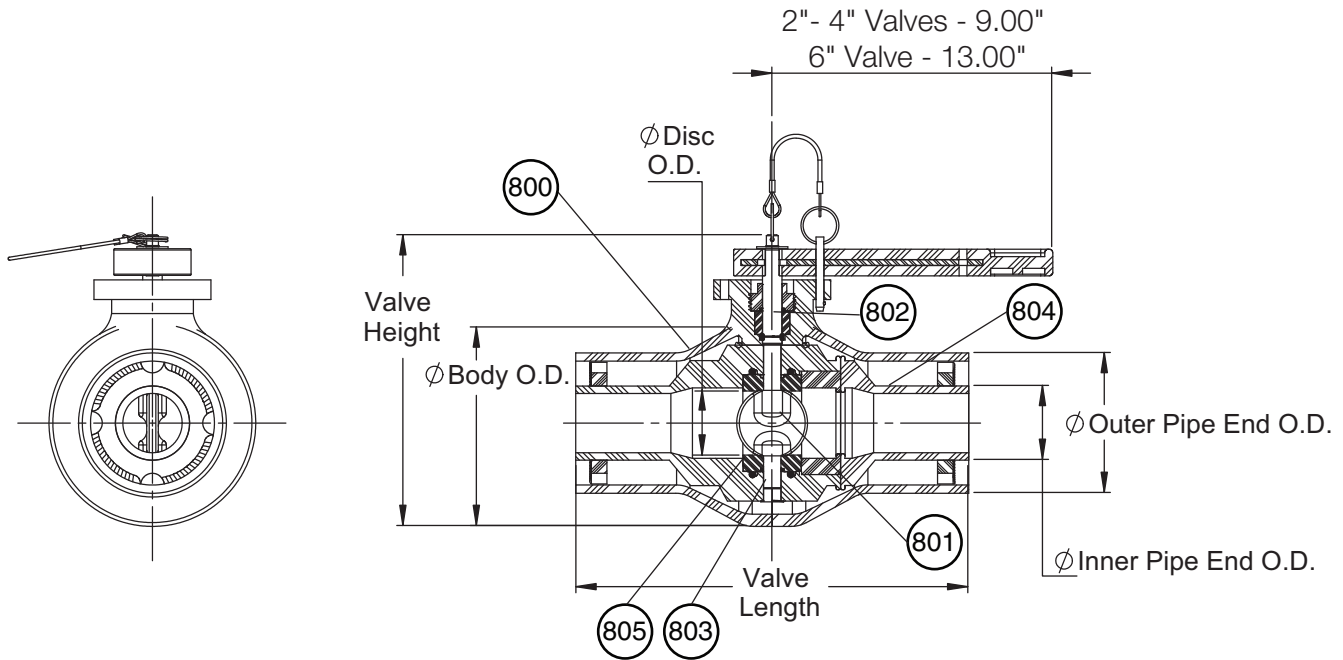
# AMERICAN AVK HDPE FUSIBLE DUAL CONTAINMENT VALVE

**890/PEBFV  
HDPE/DCV**

HDPE fusible ends, (IPS, SDR 11, standard) - Valve sizes 2" x 4" through 6" x 10"

## Components

800. Valve Body      801. Disc      802. Upper Stem      803. Lower Stem      804. Reducer      805. Seat



AVK ref. nos.	Size IPS	Body O.D. in.	Disc O.D. in.	Valve Length in.	Inner Pipe End O.D. in.	Outer Pipe End O.D. in.	Inner Pipe End min-wall. SDR-11 in.	Outer Pipe End min-wall. SDR-11 in.	Valve Height in.	Cv@ 90°	Δ P psi Valve @ 10ft/Sec	Equiv. Lg. SDR 11 Pipe-Ft	Weight lbs.
890-050-PEBFV	2" x 4"	6.63	2.27	12.60	2.38	4.50	0.216	0.265	9.82	145	0.40	5.30	7
890-080-PEBFV	3" x 6"	8.63	3.31	12.60	3.50	6.63	0.318	0.602	11.63	325	0.40	7.70	15
890-100-PEBFV	4" x 8"	10.75	4.17	18.12	4.50	8.63	0.409	0.507	13.29	590	0.30	8.60	30
890-150-PEBFV	6" x 10"	12.75	6.06	20.40	6.63	10.75	0.602	0.632	15.94	1950	0.20	5.70	44

\* Number of feet of pipe with the same pressure drop as experienced across the valve at 10 ft/sec.

