

AMERICAN AVK HIGH PRESSURE, 250 PSI, POST, DRY BARREL HYDRANT

**67XX
POST**

Complies with AWWA C502 (latest) - (where applicable) - Working Pressure - 250 PSI

Inlet Bases: NPT, Flanged in accordance with ANSI B16.1 Class 125,

Mechanical Joint in accordance with ANSI/AWWA C111/A21.11

Use:

For water and neutral liquids to maximum 160°F.

Tests:

Seat Test: 500 PSI

Approvals:

Certified to:
NSF/ANSI 61
NSF/ANSI 372



Components:

Nozzle Section, Barrels, Breakable Flange, Base

Caps, Weathershield

Nozzle, Valve Seat Ring, Main Valve Flange
Operating Nut, Thrust Nut

Main Valve

Stem Rod Couplings, Upper Stem Rod, Nozzle Retaining Screw,
Thrust Nut Screw, Coupler Pins, Main Valve Retaining Pin,
Spring Pins

Coating - Above ground

Coating - Below ground

Chain Set, Hardware

Cap Gasket, O-rings

Anti-Friction Washer

Base Elbow / Inlet Configuration

2" MJ

3" MJ

4" MJ

Standard:

Ductile Iron ASTM A536

Cast Iron ASTM A126 Class "B"

Bronze

Ductile iron core, fully encapsulated with EPDM rubber.

Stainless Steel

Acrylic Polyurethane paint

Fusion bonded epoxy. Epoxy meets or exceeds AWWA
C550 (latest)

Zinc Plated Steel

NBR

Brass

2.5" Flanged

3" Flanged

2" NPT

2.5" NPT

3" NPT

Optional Materials:

Hardware

Zinc Plated (STD)

304 Stainless

316 Stainless

Lower Stem Rod

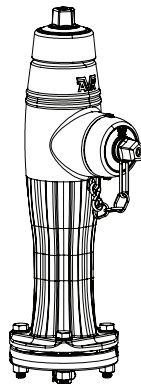
304 Stainless

Steel (STD)

Opening Direction

Open Left

Open Right



Series 67XX
1 Hose Outlet



AMERICAN AVK HIGH PRESSURE, 250 PSI, POST, DRY BARREL HYDRANT

**67XX
POST**

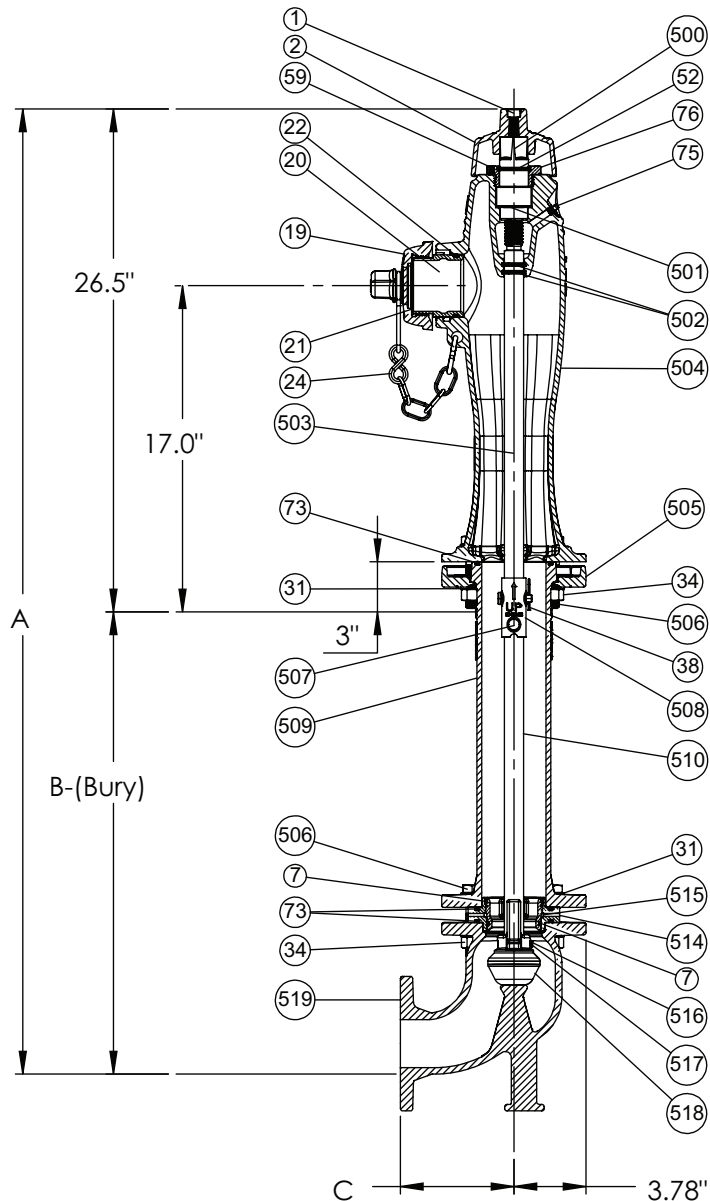
Complies with AWWA C502 (latest) - (where applicable) - Working Pressure - 250 PSI

Inlet Bases: NPT, Flanged in accordance with ANSI B16.1 Class 125,

Mechanical Joint in accordance with ANSI/AWWA C111/A21.11

Component List:

1. Weathershield Bolt
2. Weathershield
7. Valve Seat O-ring
19. Hose Nozzle Cap
20. Hose Nozzle
21. Hose Nozzle Cap Gasket
22. Hose Nozzle O-ring
23. Set Screw - (Nozzle)
24. Chain Assembly
31. Nozzle Section Washer
34. Nozzle Section Nut
38. Spring Pin
52. Thrust Nut O-ring
59. Set Screw - (Thrust Nut)
73. Flange O-ring
75. Zerk Fitting
76. Thrust Nut
500. Operating Nut
501. Anti Friction Washer
502. Stem Seal O-ring
503. Upper Stem Rod
504. Nozzle Section
505. Two Piece Breakable Flange
506. Nozzle Section Bolt
507. Coupler Pin
508. Breakable Coupling
509. Lower Barrel
510. Lower Stem Rod
514. Main Valve Flange
515. Seat Ring
516. Main Valve Retainer Pin
517. Cotter Pin
518. Main Valve
519. Base



Notes:

1. F23 - Set Screw for Hose Nozzle, not shown.

Ref No.	A*	B*	C		
			Flanged	MJ	NPT
67-XX - 2"	38.50" - 86.50"	12.00" - 60.00"	N/A	6.00"	4.50"
67-XX - 2.5"	38.50" - 86.50"	12.00" - 60.00"	6.00"	N/A	5.12"
67-XX - 3"	38.50" - 86.50"	12.00" - 60.00"	6.00"	7.00"	5.12"
67-XX - 4"	38.50" - 86.50"	12.00" - 60.00"	N/A	7.00"	N/A

* Dimension "A" - 92.50" - 140.50" if using extension barrels, bury depth in 6" increments.

* Dimension "B" - 66.00" - 114.00" if using extension barrels, bury depth in 6" increments.

