

**AMERICAN AVK RESILIENT SEATED GATE VALVE**  
**250 PSI, Tested to AWWA C515 (NRS)**  
**Mechanical Joint Ends to AWWA C111 by**  
**Flanged Ends to ASME B16.42 Class 150 - Valve Size 30"**

**55/MFN30**  
**MJxFL SHORT**

**Use:**

For water and neutral liquids to maximum 160°F.

**Tests:**

Hydraulic test to AWWA C515:

Shell Test: 500 PSI

Seat Test: 250 PSI

Operating Torque Test

**Optional Materials:**

Stem Bronze

Anti Friction Washer Polyamide

Bonnet Bolts Stainless steel - Stainless Steel - 316  
 bolt sealed with hot melt

Gland Bolts, Lifting Eyes Stainless steel - Stainless Steel - 316

**Options:**

Handwheel, Electric Actuator, Bevel Gear, Spur Gear

**Standard Materials:**

Body, Bonnet, Gland Flange Ductile iron ASTM A536

Coating Electrostatically applied fusion-bonded epoxy-resin  
 Meets or exceeds AWWA C550

Wrench Nut Ductile Iron ASTM A536  
 - painted black for open left, red for open right.

Stem Standard: Stainless steel ASTM A582

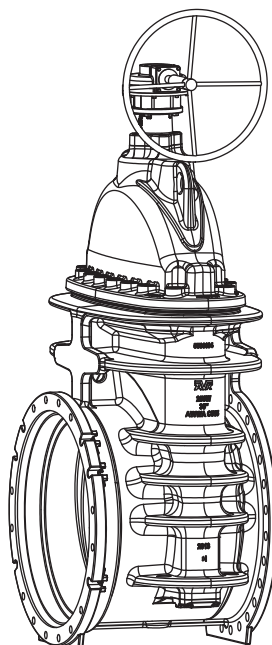
Wedge Ductile iron ASTM A536  
 encapsulated with EPDM-rubber compound

Wedge Nut, Thrust Collar Bronze

Bonnet Bolts, Gland Bolts Stainless Steel -304 sealed with hot melt

Lifting Eyes Stainless Steel -304

Bonnet Gasket, Wiper Ring, O-Ring Stem Seals, O-Ring Gland Seal ASTM D2000 Buna "N" nitrile rubber

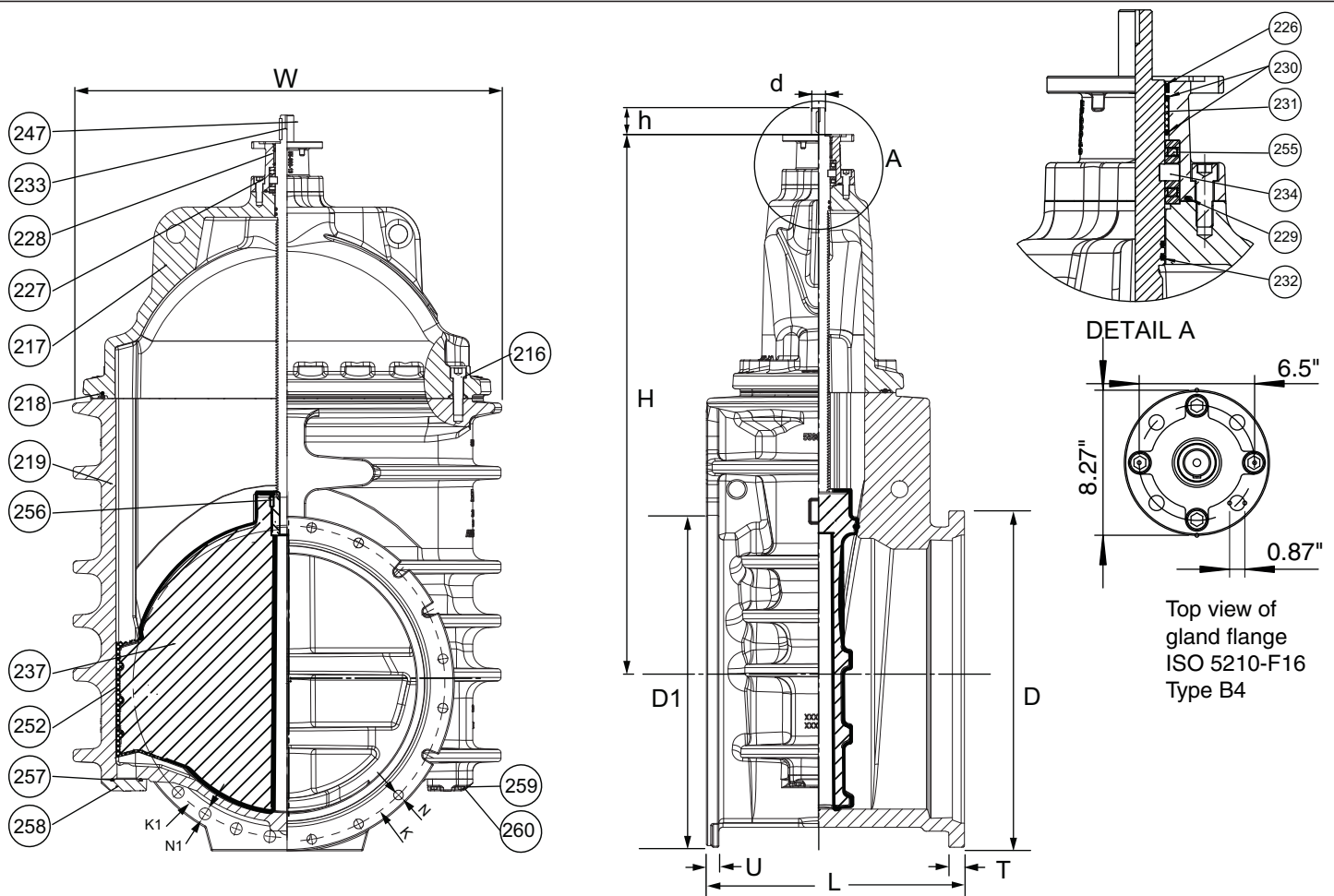


**AMERICAN AVK RESILIENT SEATED GATE VALVE**  
**250 PSI, Tested to AWWA C515 (NRS)**  
**Mechanical Joint Ends to AWWA C111 by**  
**Flanged Ends to ASME B16.42 Class 150 - Valve Size 30"**

**55/MFN30**  
**MJxFL SHORT**

**Component List:**

- |                        |                              |                         |
|------------------------|------------------------------|-------------------------|
| 216. Bonnet Bolts      | 229. Gland O-Ring            | 255. Stem Bearing       |
| 217. Bonnet            | 230. Upper Stem Seal O-Rings | 256. Wedge Slotted Pin  |
| 218. Bonnet Gasket     | 231. Stem Seal Bushing       | 257. Cover Plate O-ring |
| 219. Body              | 232. Lower Stem Seal O-Ring  | 258. Cover Plate        |
| 226. Wiper Ring        | 233. Stem Rod                | 259. Cover Plate Washer |
| 227. Gland Flange Bolt | 234. Thrust Collar           | 260. Cover Plate Bolt   |
| 228. Gland Flange      | 237. Wedge                   |                         |



Ref. nos	Size	D	D1	d	H	h	K	K1	L	N	N1	T	U	W	FL-Holes MJ/FL	Turns to open	Wt. Lbs.
55-800-MFN	30"	39.12"	38.74"	1.60"	62.80"	3.10"	36.88"	36.00"	30.00"	1.13"	1.38"	1.81"	1.44"	49.50"	20/28	70	4700

Add 86 Lbs. for bevel gearing w/ handwheel, add 120 Lbs. for spur gearing w/ handwheel  
 See Bevel & Spur Gearing datasheets for overall dimensions

