

AMERICAN AVK RESILIENT SEATED GATE VALVE
250 PSI, Tested to AWWA C515 (NRS)
Mechanical Joint Ends to AWWA C111 by
Flanged Ends to ASME B16.42 Class 150 - Valve Size 30"

55/MFN30
MJxFL LONG

Use:

For water and neutral liquids to maximum 160°F.

Tests:

Hydraulic test to AWWA C515:

Shell Test: 500 PSI

Seat Test: 250 PSI

Operating Torque Test

Optional Materials:

Stem Bronze

Anti Friction Washer Polyamide

Bonnet Bolts Stainless steel - Stainless Steel - 316
 bolt sealed with hot melt

Gland Bolts, Lifting Eyes Stainless steel - Stainless Steel - 316

Options:

Handwheel, Electric Actuator, Bevel Gear, Spur Gear

Standard Materials:

Body, Bonnet, Gland Flange Ductile iron ASTM A536

Coating Electrostatically applied fusion-bonded epoxy-resin
 Meets or exceeds AWWA C550

Wrench Nut Ductile Iron ASTM A536
 - painted black for open left, red for open right.

Stem Standard: Stainless steel ASTM A582

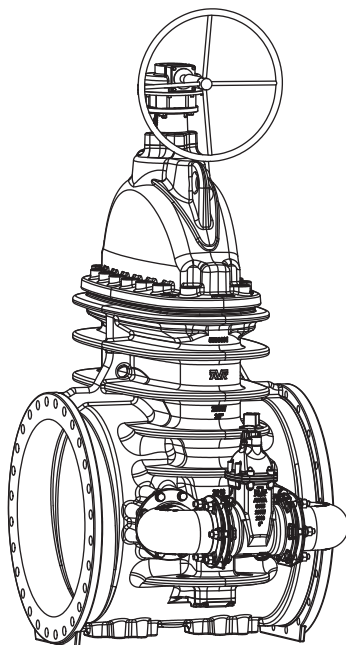
Wedge Ductile iron ASTM A536
 encapsulated with EPDM-rubber compound

Wedge Nut, Thrust Collar Bronze

Bonnet Bolts, Gland Bolts Stainless Steel -304 sealed with hot melt

Lifting Eyes Stainless Steel -304

Bonnet Gasket, Wiper Ring, O-Ring Stem Seals, O-Ring Gland Seal ASTM D2000 Buna "N" nitrile rubber

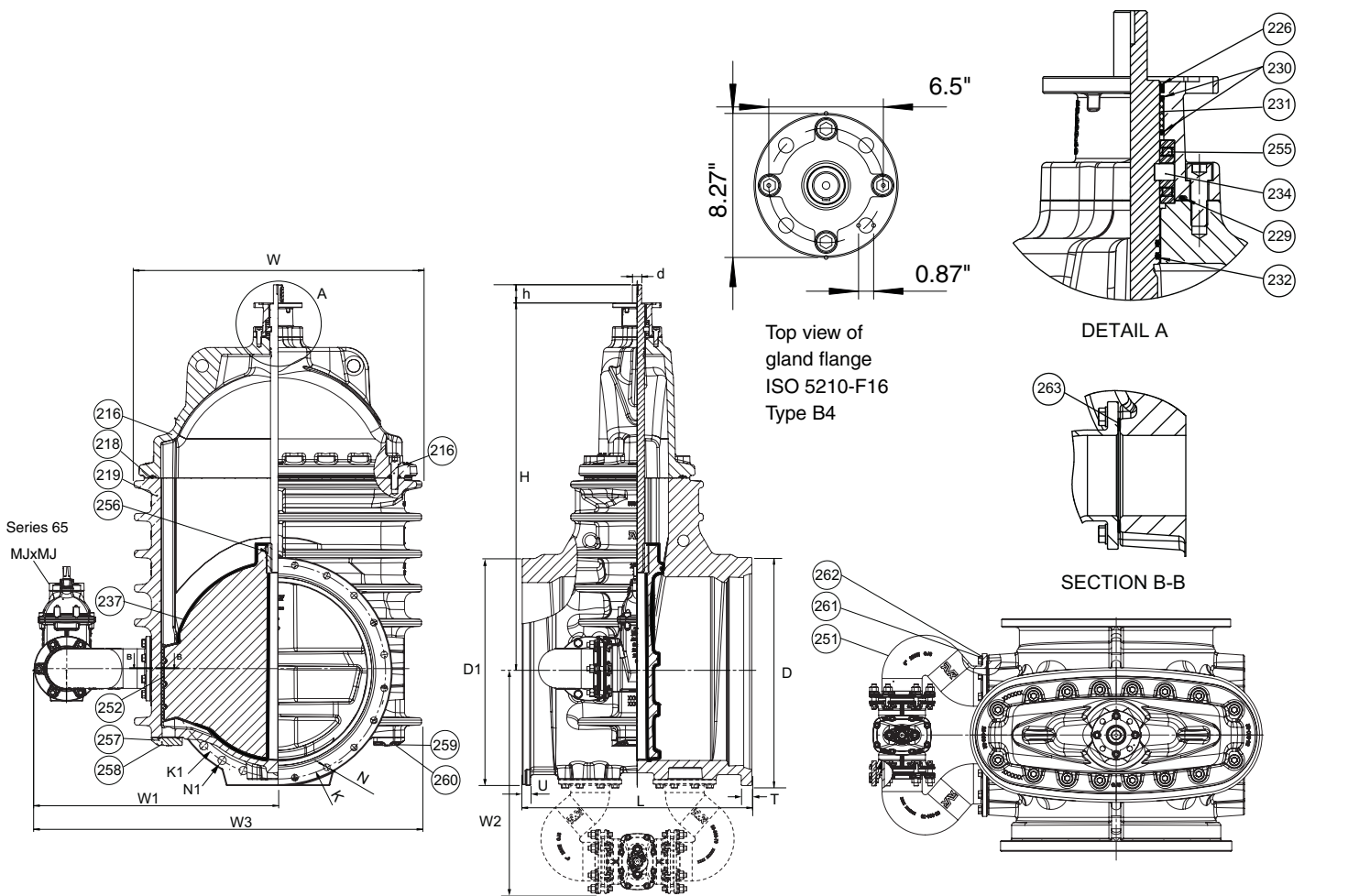


AMERICAN AVK RESILIENT SEATED GATE VALVE
250 PSI, Tested to AWWA C515 (NRS)
Mechanical Joint Ends to AWWA C111 by
Flanged Ends to ASME B16.42 Class 150 - Valve Size 30"

55/MFN30
MJxFL LONG

Component List:

- | | | |
|------------------------------|-----------------------------|-------------------------|
| 216. Bonnet Bolts | 231. Stem Seal Bushing | 257. Cover Plate O-ring |
| 217. Bonnet | 232. Lower Stem Seal O-Ring | 258. Cover Plate |
| 218. Bonnet Gasket | 233. Stem Rod | 259. Cover Plate Washer |
| 219. Body | 234. Thrust Collar | 260. Cover Plate Bolts |
| 226. Wiper Ring | 237. Wedge | 261. Elbow Bolt |
| 227. Gland Flange Bolt | 251. Elbow | 262. Elbow Washer |
| 228. Gland Flange | 252. Wedge Shoe | 263. Elbow Gasket |
| 229. Gland O-Ring | 255. Stem Bearing | |
| 230. Upper Stem Seal O-Rings | 256. Wedge Slotted Pin | |



Ref. nos	Size	D	D1	d	H	h	K	K1	L	N/N1	T	U	W	W1	W2	W3	FL-Holes	Turns	Wt.	
																		MJ/FL	to open	Lbs.
55-800-MFN	30"	39.12"	38.74"	1.60"	62.80"	3.10"	36.88"	36.00"	39.00"	1.13"/1.42"	1.81"	1.44"	49.50"	41.80"	39.12"	66.52"	20/28	70	5409	

Add 205 Lbs. for bypass assembly
 Add 86 Lbs. for bevel gearing w/ handwheel, add 120 Lbs. for spur gearing w/ handwheel
 See Bevel & Spur Gearing datasheets for overall dimensions

