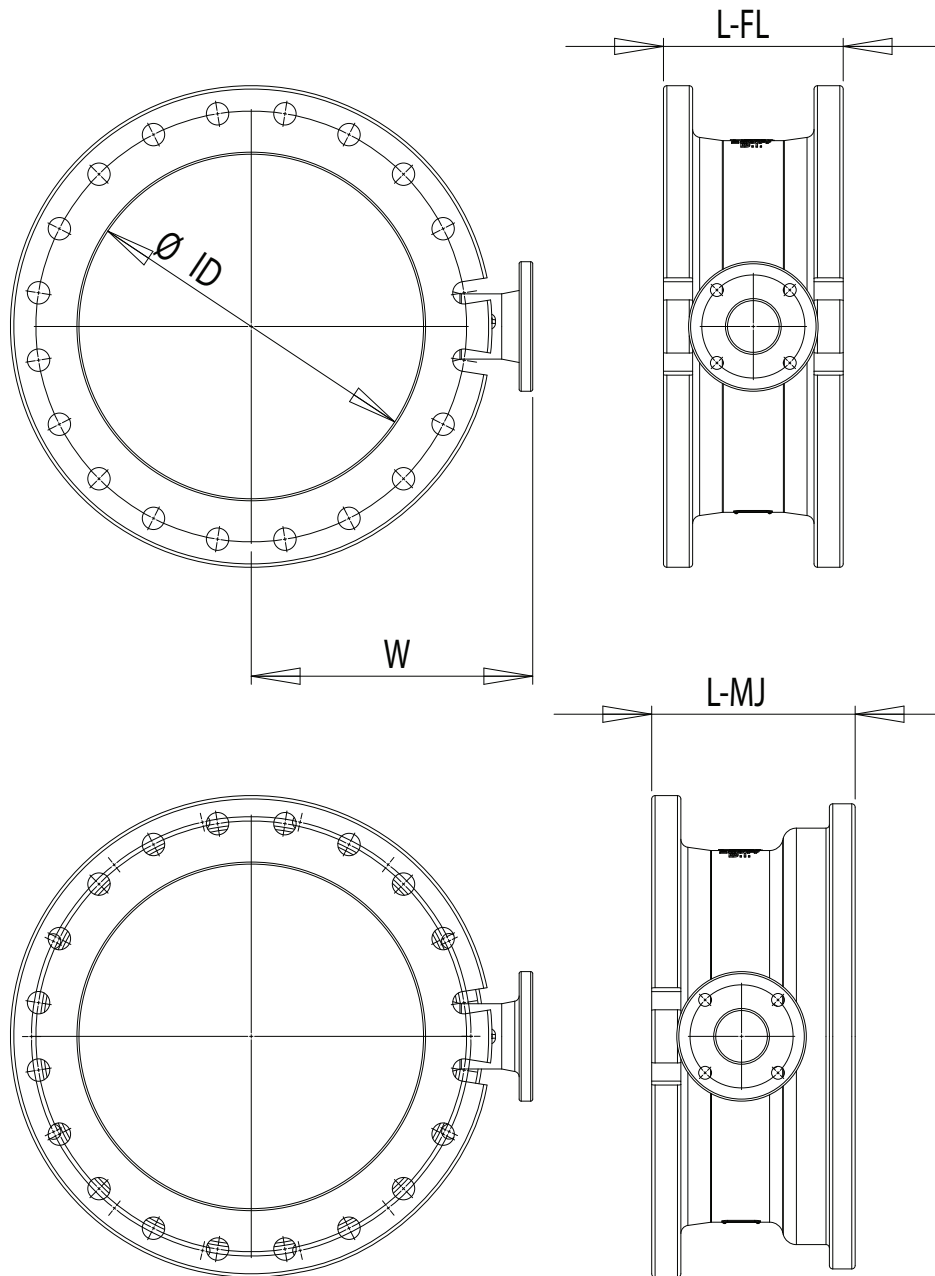


**AMERICAN AVK BYPASS, DUCTILE IRON SPOOL PIECE , 250 PSI**  
**Flanged to ANSI B16.1 class 125, & Mechanical Joint to AWWA C111**  
**- Valve Sizes 18" - 24"**

**55/7X**  
**SPOOL**



Ref. nos	Size/ID	L-FL	L-MJ	W	Bypass Valve Size
55-450-7X	18"	9.25"	11.00"	15.20"	3"
55-500-7X	20"	10.43"	11.80"	16.34"	3"
55-600-7X	24"	11.80"	13.00"	18.90"	4"

Note: X = 7 (Flanged x Flanged Spools) X = 8 (Flanged x MJ Spools)

