

AMERICAN AVK DUCTILE IRON BALL CHECK VALVE

53/NNI
NPTxNPT

NPT x NPT - Valve sizes 1 1/2" - 2"

Use:

For water and neutral liquids to maximum 160°F.

Tests:

Shell Test: 225 PSI

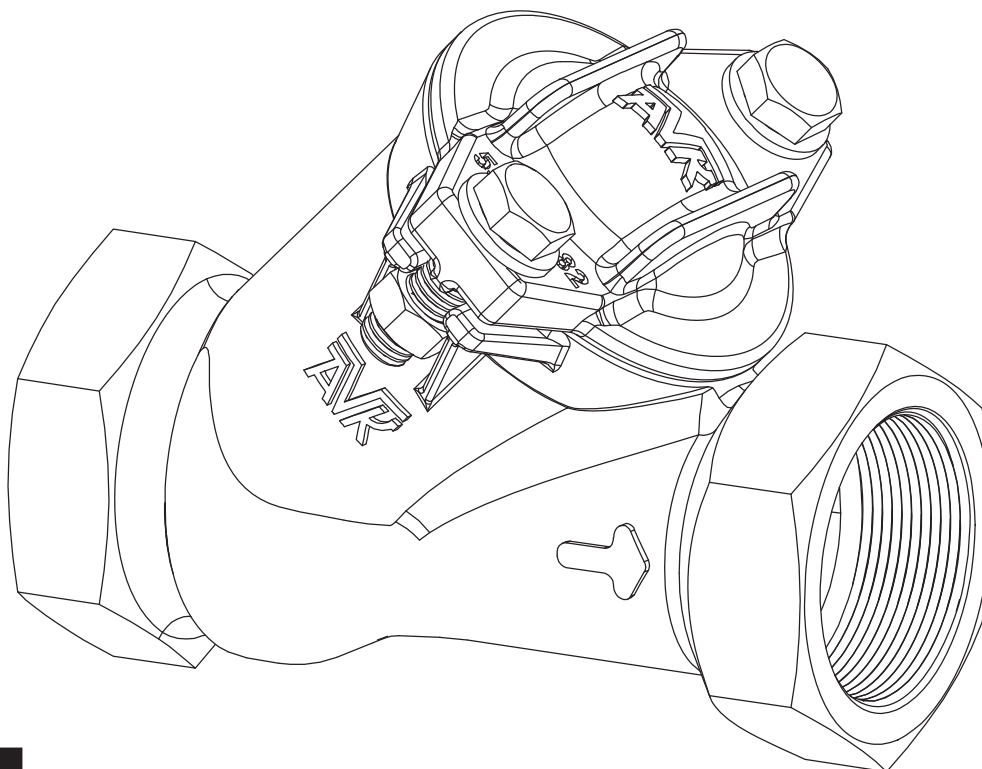
Seat Test: 150 PSI

Optional Materials:

- Floating Ball
- Polyurethane Ball

Standard Materials:

Body, Bonnet,	Ductile Iron ASTM A536
Coating	Fusion Bonded Epoxy
Ball	Aluminum encapsulated with NBR-rubber compound
Bonnet Bolts, Nuts	Stainless Steel 304
Bonnet Gasket,	NBR O-ring



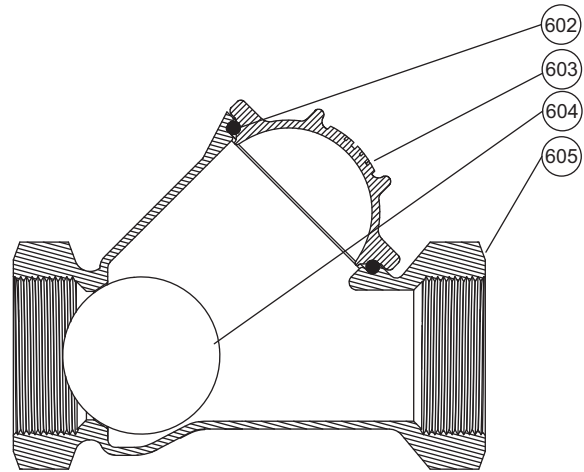
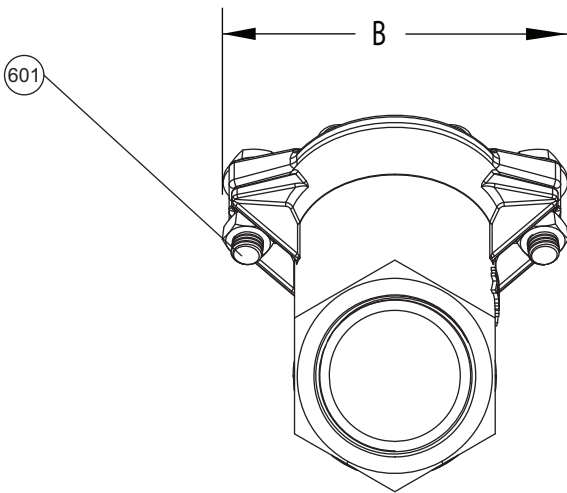
AMERICAN AVK DUCTILE IRON BALL CHECK VALVE

53/NNI
NPT/NPT

NPT x NPT - Valve sizes 1 1/2" - 2"

Component List:

- 601. Bolt, Nut
- 602. Bonnet Gasket
- 603. Bonnet
- 604. Ball
- 605. Body



Ref No.	Size	B	H	L	Weight (lbs.)
53-040-NNI	1.5"	4.88"	3.27"	5.50"	4.4
53-050-NNI	2"	4.88"	3.98"	7.00"	6.6

