

AMERICAN AVK RESILIENT SEATED DUCTILE IRON GATE VALVE
250 PSI, Tested to AWWA C509 (OS&Y)
IPS Grooved End according to AWWA C606 - Valve Sizes 3" - 8"

45/GGO
IPS GRxGR

Use:

For water and neutral liquids to maximum 160°F.

Tests:

Hydraulic test to AWWA C509:

Shell Test: 500 PSI

Seat Test: 250 PSI

Operating Torque Test

Optional Materials:

Bonnet Bolts, Stud Bolts	Stainless Steel,
Washers, Nuts	Grade 304

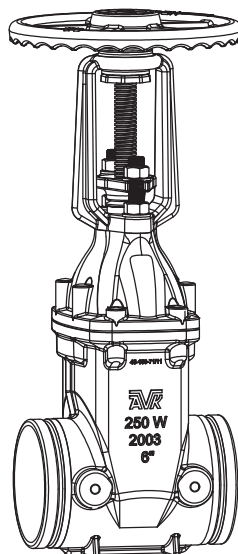
Standard Materials:

Body, Bonnet, Yoke, Gland Follower	Ductile iron ASTM A536
Handwheel	Cast iron ASTM A126 class B
Coating	Electrostatically applied fusion-bonded epoxy-resin Meets or exceeds AWWA C550
Stem, Anti-Friction Washer, Wedge Nut 2-piece Stem Nut	Bronze
Wedge	Ductile iron ASTM A536 encapsulated with EPDM - rubber compound.
Bonnet Bolts	4"-8": ASTM A 164 Zinc Plated Steel 10"-12": Grade 8 Steel
Stud Bolts, Washers, Nuts	Zinc Plated Steel
Bonnet Gasket, O-rings	NBR
Gland, Gland Bushing	Akulon

Approvals:



*UL/ULC Listed,
 *FM Approved
 * Approved at 250 PSI working pressure
 Certified to: NSF/ANSI 61, NSF/ANSI 372



AMERICAN AVK RESILIENT SEATED DUCTILE IRON GATE VALVE

250 PSI, Tested to AWWA C509 (OS&Y)

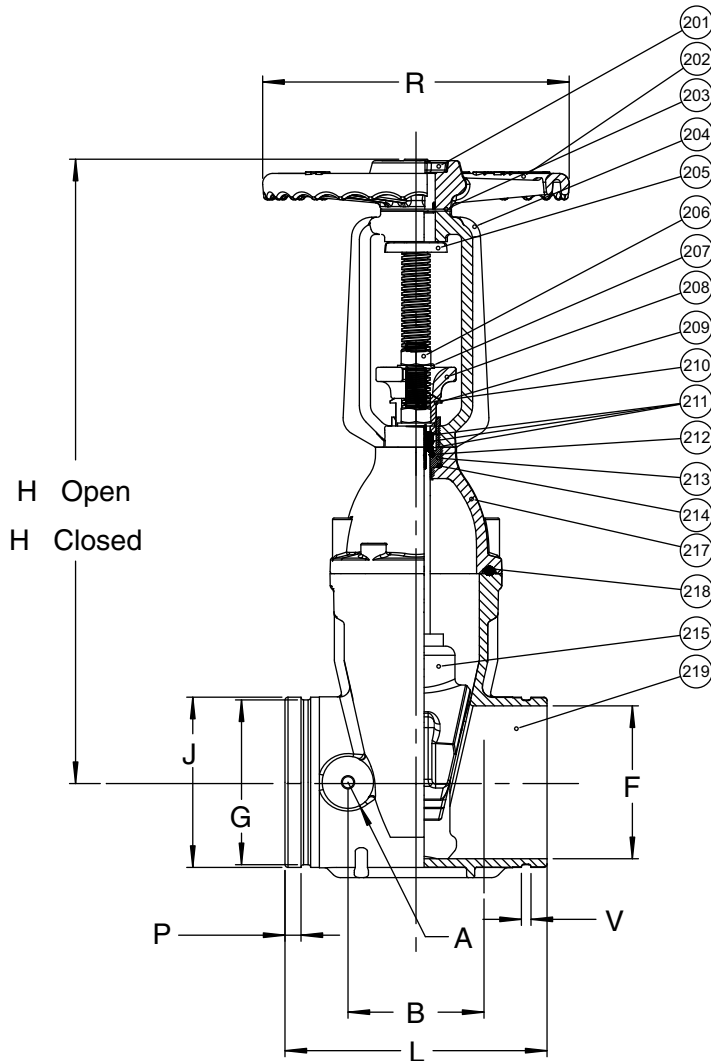
IPS Grooved End according to AWWA C606 - Valve Sizes 3" - 8"

45/GGO

IPS GRxGR

Component List:

201. Upper Stem Nut	207. Gland Follower/Yoke Washer	214. Outer Bushing O-Ring
202. OS&Y Handwheel	208. Gland Follower	215. OS&Y Stem Assembly
203. Anti-Friction Washer	209. Gland	217. Bonnet
204. Yoke	210. Stud Bolt	218. Bonnet Gasket
205. Lower Stem Nut	211. Stem Seal O-Ring	219. Body
206. Gland Follower/Yoke Nut	212. Inner Bushing O-Ring	



Ref No.	Size	A	B	F	G	J	H		L	P	R	V	Turns to Weight	
							Open	Closed					Open	Lbs.
45-080-GGO	3"	1.57"	3.74"	3.00"	3.34"	3.59"	16.90"	13.80"	7.99"	0.63"	7.08"	0.31"	20	40
45-100-GGO	4"	1.65"	4.12"	4.00"	4.33"	4.50"	21.00"	16.90"	9.02"	0.63"	10.00"	0.38"	21	56
45-150-GGO	6"	1.97"	5.29"	6.00"	6.45"	6.62"	29.30"	23.20"	10.51"	0.63"	12.00"	0.38"	26	103
45-200-GGO	8"	1.97"	8.00"	8.00"	8.44"	8.62"	37.40"	29.30"	11.50"	0.75"	14.00"	0.44"	35	157

