

AMERICAN AVK RESILIENT SEATED DUCTILE IRON GATE VALVE
250 PSI, Tested to AWWA C509 / C515 (OS&Y) CWP Tested to 350 PSI
Flanged x Flanged Ends to ANSI B16.1 Class 250 - Valve Sizes 4" - 12"
Laylength to ASME B16.10

45/FFOH
FLxFL

Use:
 For water and neutral liquids to maximum 160°F.

Tests:
 Hydraulic test to AWWA C509:
 Shell Test: 500 PSI
 Seat Test: 250 PSI
 Hydraulic test CWP (Cold Working Pressure):
 Shell Test: 525 PSI
 Seat Test: 350 PSI
 Operating Torque Test

Optional Materials:

Bonnet Bolts, Stud Bolts	Stainless Steel,
Washers, Nuts	Grade 304

Standard Materials:

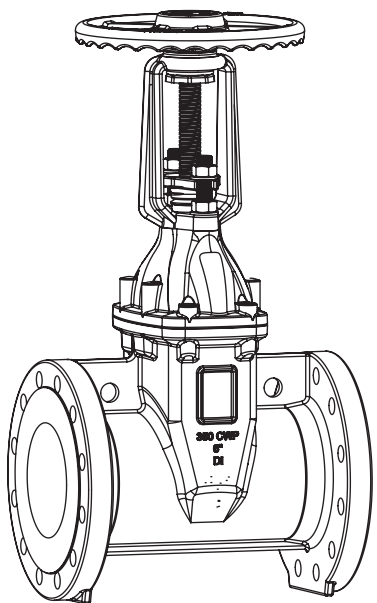
Body, Bonnet, Yoke, Gland Follower	Ductile iron ASTM A536
Handwheel	Cast iron ASTM A126 class B
Coating	Electrostatically applied fusion-bonded epoxy-resin Meets or exceeds AWWA C550
Stem, Anti-Friction Washer, Wedge Nut 2-piece Stem Nut	Bronze
Wedge	Ductile iron ASTM A536 encapsulated with EPDM - rubber compound.
Bonnet Bolts	4"-8": Zinc Plated Steel ASTM 164 10"-12": Grade 8 Steel
Stud Bolts, Washers, Nuts	Zinc Plated Steel
Bonnet Gasket, O-rings	NBR
Gland, Gland Bushing	Akulon

Approvals:






*UL/ULC Listed
 *FM Approved
 Certified to: ANSI/NSF 61, ANSI/NSF 372
 * Approved at 250 PSI working pressure

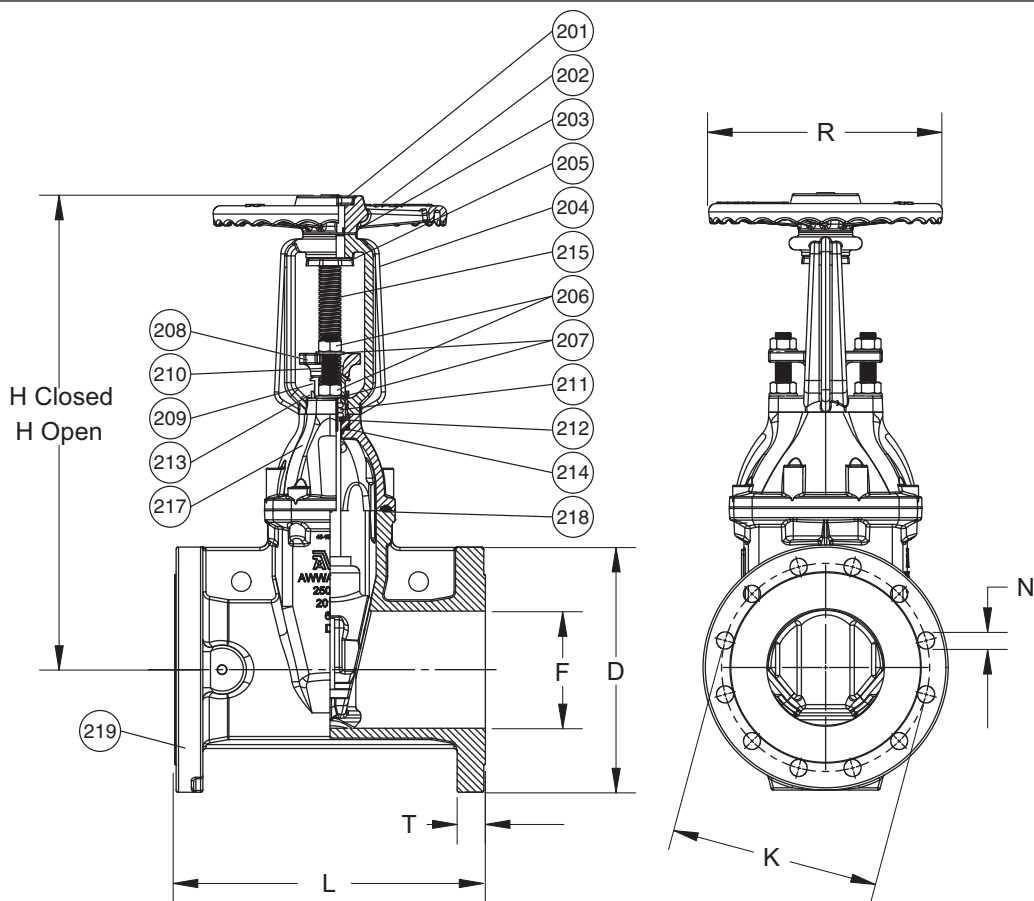


AMERICAN AVK RESILIENT SEATED DUCTILE IRON GATE VALVE
250 PSI, Tested to AWWA C509 / C515 (OS&Y) CWP Tested to 350 PSI
Flanged x Flanged Ends to ANSI B16.1 Class 250 - Valve Sizes 4" - 12"
Laylength to ASME B16.10

45/FFOH
FLxFL

Component List:

- | | | |
|---------------------------------|---------------------------|-------------------------------|
| 201. Upper Stem Nut | 208. Gland Follower | 215. OS&Y Stem Assembly |
| 202. OS&Y Handwheel | 209. Gland | 216. Bonnet Bolts (Not Shown) |
| 203. Anti-Friction Washer | 210. Stud Bolt | 217. Bonnet |
| 204. Yoke | 211. Stem Seal O-rings | 218. Bonnet Gasket |
| 205. Lower Stem Nut | 212. Inner Bushing O-ring | 219. Body |
| 206. Gland Follower/Yoke Nut | 213. OS&Y Bushing | |
| 207. Gland Follower/Yoke Washer | 214. Outer Bushing O-ring | |



Ref. nos.	Size	D	F	H open	H closed	K	L	N	R	T	Flange holes	Turns to open	Wt. Lbs.
45-100-FFOH	4"	10.00"	4.00"	22.63"	18.63"	7.88"	12.00"	0.88"	10.00"	1.25"	8	21	113
45-150-FFOH	6"	12.50"	6.00"	31.00"	25.00"	10.62"	15.88"	0.88"	12.00"	1.44"	12	26	202
45-200-FFOH	8"	15.00"	8.00"	39.00"	31.00"	13.00"	16.50"	1.00"	14.00"	1.62"	12	35	301
45-250-FFOH	10"	17.50"	10.00"	46.80"	36.80"	15.25"	18.00"	1.12"	17.00"	1.88"	16	37	400
45-300-FFOH	12"	20.50"	12.00"	53.50"	41.50"	17.75"	19.76"	1.25"	17.00"	2.00"	16	44	563

