

**AMERICAN AVK HIGH PRESSURE, 250 PSI, NOSTALGIC,
SINGLE PUMPER, DRY BARREL HYDRANT**

**27N/PNN
NOSTALGIC SINGLE PUMPER**


Meets or exceeds AWWA C502 (latest) - Working Pressure - 250 PSI
 Inlet Bases: Flanged in accordance with ANSI B16.1 Class 125,
 Mechanical and Push-On Joint in accordance with ANSI/AWWA C111/A21.11

Use:
 For water and neutral liquids to maximum 160°F.

Tests:
 Hydraulic test to AWWA C502:
 Seat Test: 500 PSI

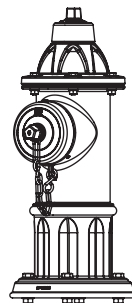
Approvals:

Certified to:
 NSF/ANSI 61
 NSF/ANSI 372

<p>Components: Nozzle Section, Bonnet, Barrels, Standpipe Flanges, Breakable Flange, Main Valve Flange, Base, Monitor Elbow</p> <p>Caps, Weathershield</p> <p>Nozzles, Valve Seat Ring, Drain Ring Operating Nut, Thrust Nut</p> <p>Brass Fittings, Brass Plugs</p> <p>Main Valve</p> <p>Stem Rod Couplings, Lock Rings, Nozzle Retaining Screw, Lock Plate, Lock Plate Screw, Stop Pins, Coupler Pins, Main Valve Retaining Pin, Spring Pins,</p> <p>Coating</p> <p>Stop Nut, Chain Set, Hardware</p> <p>Barrel Gasket, Cap Gasket, O-rings</p> <p>Lubrication Hole Seal</p> <p>Anti-Friction Washer</p> <p>Base Elbow / Inlet Configuration</p>	<p>Standard: Ductile Iron ASTM A536</p> <p>Cast Iron ASTM A126 Class "B"</p> <p>Bronze</p> <p>Brass</p> <p>Ductile iron core, fully encapsulated with EPDM rubber.</p> <p>Stainless Steel</p> <p>Above ground-Fusion bonded epoxy inside and out. Below ground - Bitumen/Fusion bonded epoxy. Epoxy meets or exceeds AWWA C550 (latest)</p> <p>Zinc Plated Steel</p> <p>NBR - (Barrel Gasket with 304 stainless insert)</p> <p>Oil Resistant Rubber</p> <p>Polyamide</p>	
<p><input type="checkbox"/> 6" MJ</p> <p><input type="checkbox"/> 4" MJ</p> <p><input type="checkbox"/> 8" MJ*</p>	<p><input type="checkbox"/> 6" Flanged</p> <p><input type="checkbox"/> 4" Flanged</p> <p><input type="checkbox"/> Straight Flanged 6"</p>	<p><input type="checkbox"/> 6" Push-on</p> <p><input type="checkbox"/> 4" PE*</p> <p><input type="checkbox"/> 6" PE*</p>
<p>Optional Materials:</p>		
<p>Hardware</p> <p>Upper Stem Rod</p> <p>Lower Stem Rod</p> <p>Opening Direction</p>	<p><input type="checkbox"/> Zinc Plated</p> <p><input type="checkbox"/> 304 Stainless</p> <p><input type="checkbox"/> 304 Stainless</p> <p><input type="checkbox"/> Open Left</p>	<p><input type="checkbox"/> 304 Stainless</p> <p><input type="checkbox"/> Epoxy Coated Steel</p> <p><input type="checkbox"/> Epoxy Coated Steel</p> <p><input type="checkbox"/> Open Right</p>

*Not UL/ULC Listed or FM Approved



Series 27N/PNN
 Single Pumper



AMERICAN AVK HIGH PRESSURE, 250 PSI, NOSTALGIC, SINGLE PUMPER, DRY BARREL HYDRANT

27N/PNN NOSTALGIC SINGLE PUMPER

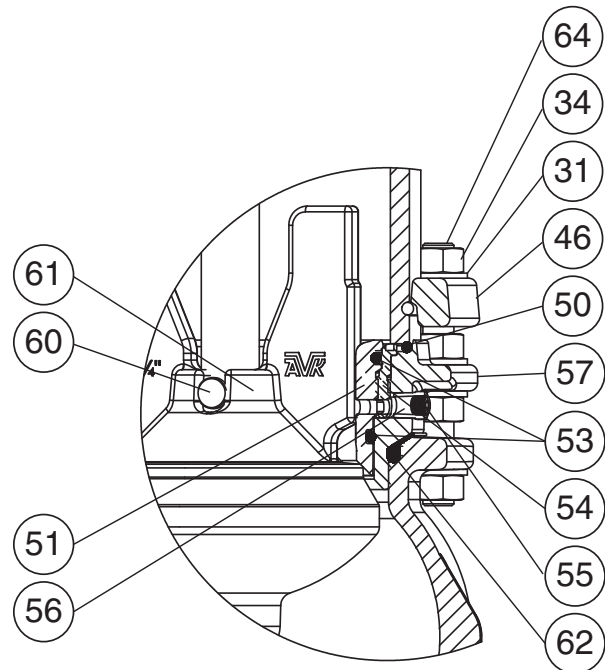
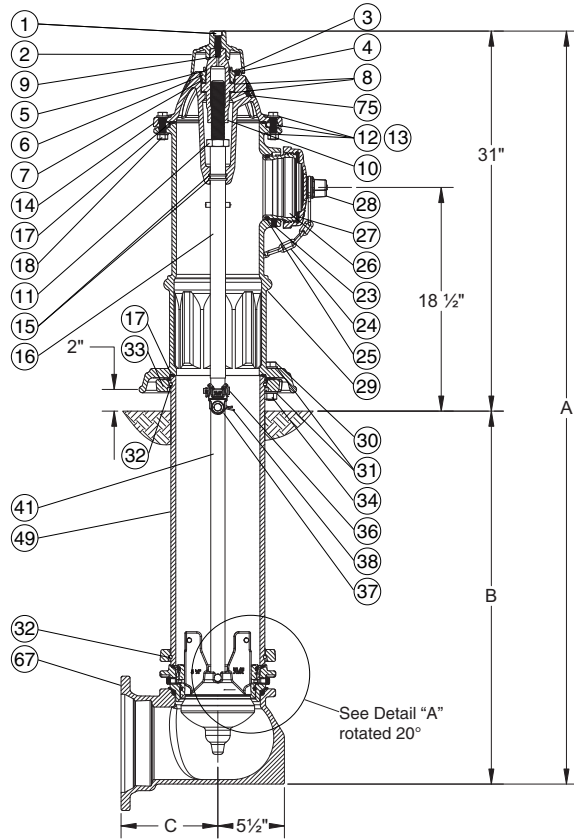
Meets or exceeds AWWA C502 (latest) - Working Pressure - 250 PSI

Inlet Bases: Flanged in accordance with ANSI B16.1 Class 125,

Mechanical and Push-On Joint in accordance with ANSI/AWWA C111/A21.11

Component List:

- | | | | |
|----------------------------|----------------------------|----------------------------------|-------------------------------|
| 1. Weathershield Bolt | 16. Upper Stem Rod | 36. Coupler Pin | 60. Main Valve Retaining Pin |
| 2. Weathershield | 17. Barrel Gasket | 37. Breakable Stem Rod | -Detail A |
| 3. Lock Plate Screw | 18. Bonnet Nut | Coupling | 61. Main Valve Disc -Detail A |
| 4. Lock Plate | 23. Nozzle Retaining Screw | 38. Spring Pin | 62. Base Gasket -Detail A |
| 5. Inner Thrust Nut O-ring | 24. Chain Set | 41. Lower Stem Rod | 64. Stud Bolt -Detail A |
| 6. Thrust Nut | 25. Pumper Nozzle O-ring | 46. Standpipe Flange -Detail A | 67. Base |
| 7. Outer Thrust Nut O-ring | 26. Pumper Nozzle | 49. Lower Barrel | 75. Zerk Fitting |
| 8. Anti-Friction Washer | 27. Pumper Nozzle Gasket | 50. Lower Barrel O-ring Detail A | |
| 9. Lubrication Hole Seal | 28. Pumper Nozzle Cap | 51. Valve Seat O-ring -Detail A | |
| 10. Operating Nut | 29. Nozzle Section | 53. Valve Seat O-ring -Detail A | |
| 11. Stop Nut | 30. Nozzle Section Bolt | 54. Drain Ring -Detail A | |
| 12. Bonnet Bolt | 31. Nozzle Section Washer | 55. Brass Plug -Detail A | |
| 13. Bonnet Washer | 32. Lock Ring | 56. Brass Fitting -Detail A | |
| 14. Bonnet | 33. Breakable Flange | 57. Main Valve Flange -Detail A | |
| 15. Stem Seal O-rings | 34. Nozzle Section Nut | | |



Detail "A"

Ref No.	Base Sizes	Outlets	A	B*	C			
					Flanged	MJ	Push-on	PE
27N-PNN-4	- 4"	1x4"/4½"	49" - 247"	18" - 216"	8.00"	8.00"	N/A	23.70"
27N-PNN-6	- 6"	1x4"/4½"	49" - 247"	18" - 216"	8.00"	8.00"	9.00"	22.80"
27N-PNN-8	- 8"	1x4"/4½"	49" - 247"	18" - 216"	N/A	9.38"	N/A	N/A

* Buries greater than 216" available upon request.

