

# AMERICAN AVK HIGH PRESSURE, 250 PSI, MODERN, DUAL PUMPER, DRY BARREL HYDRANT

27M/PPN/NG  
MODERN DUAL PUMPER

Meets or exceeds AWWA C502 (latest) - Working Pressure - 250 PSI

Inlet Bases: Flanged in accordance with ANSI B16.1 Class 125,

Mechanical and Push-On Joint in accordance with ANSI/AWWA C111/A21.11

**Use:**

For water and neutral liquids to maximum 160°F.

**Tests:**

Hydraulic test to AWWA C502:

Seat Test: 500 PSI

**Approvals:**  
UL/ULC Listed  
Certified to:  
NSF/ANSI 61  
NSF/ANSI 372



**Components:**

Nozzle Section, Bonnet, Barrels, Standpipe Flanges, Upper Barrel  
Breakable Flange, Main Valve Flange, Base, Upper Barrel

Caps, Weathershield

Nozzles, Valve Seat Ring, Drain Ring  
Operating Nut, Thrust Nut

Brass Fittings, Brass Plugs

Main Valve

Stem Rod Couplings, Lock Rings, Nozzle Retaining  
Screw, Lock Plate, Lock Plate Screw, Stop Pins,  
Coupler Pins, Main Valve Retaining Pin, Spring Pins,

Coating

Stop Nut, Chain Set, Hardware

Barrel Gasket, Cap Gasket, O-rings

Lubrication Hole Seal

Anti-Friction Washer

Base Elbow / Inlet Configuration

6" MJ

4" MJ

8" MJ\*

**Standard:**

Ductile Iron ASTM A536

Cast Iron ASTM A126 Class "B"

Bronze

Brass

Ductile iron core, fully encapsulated with EPDM rubber.

Stainless Steel

Above ground-Fusion bonded epoxy inside and out. Below  
ground - Bitumen/Fusion bonded epoxy. Epoxy meets or  
exceeds AWWA C550 (latest)

Zinc Plated Steel

NBR - ( Barrel Gasket with 304 stainless insert )

Oil Resistant Rubber

Polyamide

6" Flanged

4" Flanged

Straight Flanged 6"

6" Push-on

4" PE\*

6" PE\*

\* Not UL/ULC Listed

**Optional Materials:**

Hardware

Upper Stem Rod

Lower Stem Rod

Opening Direction

Zinc Plated

304 Stainless

304 Stainless

Open Left

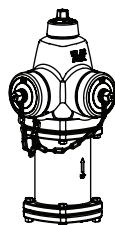
304 Stainless

Epoxy Coated Steel

Epoxy Coated Steel

Open Right

316 Stainless



Series 27M/PPN/NG  
2 Pumper

# AMERICAN AVK HIGH PRESSURE, 250 PSI, MODERN, DUAL PUMPER, DRY BARREL HYDRANT

**27M/PPN/NG  
MODERN DUAL PUMPER**

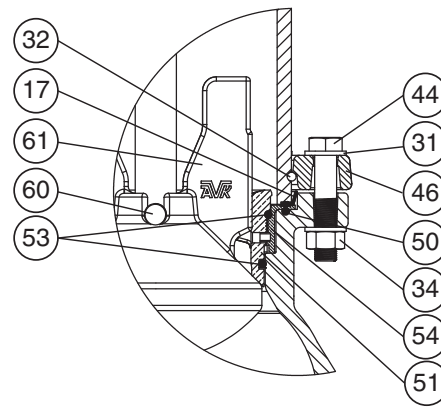
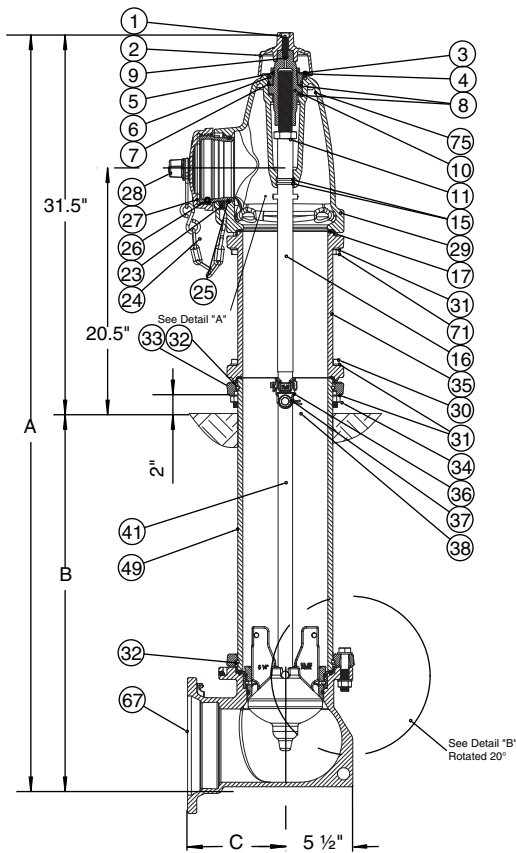
Meets or exceeds AWWA C502 (latest) - Working Pressure - 250 PSI

Inlet Bases: Flanged in accordance with ANSI B16.1 Class 125,

Mechanical and Push-On Joint in accordance with ANSI/AWWA C111/A21.11

## Component List:

- |                            |                            |                                  |                               |
|----------------------------|----------------------------|----------------------------------|-------------------------------|
| 1. Weathershield Bolt      | 23. Nozzle Retaining Screw | 37. Breakable Stem Rod           | 60. Main Valve Retaining Pin  |
| 2. Weathershield           | 24. Chain Set              | Coupling                         | -Detail B                     |
| 3. Lock Plate Screw        | 25. Pumper Nozzle O-ring   | 38. Spring Pin                   | 61. Main Valve Disc -Detail B |
| 4. Lock Plate              | 26. Pumper Nozzle          | 41. Lower Stem Rod               | 62. Base Gasket -Detail B     |
| 5. Inner Thrust Nut O-ring | 27. Pumper Nozzle Gasket   | 44. Extension Bolt -Detail B     | 64. Stud Bolt -Detail B       |
| 6. Thrust Nut              | 28. Pumper Nozzle Cap      | 46. Standpipe Flange -Detail B   | 67. Base                      |
| 7. Outer Thrust Nut O-ring | 29. Nozzle Section         | 49. Lower Barrel                 | 71. Modern Nozzle Section     |
| 8. Anti-Friction Washer    | 30. Nozzle Section Bolt    | 50. Lower Barrel O-ring Detail B | Bolt                          |
| 9. Lubrication Hole Seal   | 31. Nozzle Section Washer  | 51. Valve Seat Ring -Detail B    | 75. Zerk Fitting (not shown)  |
| 10. Operating Nut          | 32. Lock Ring              | 53. Valve Seat O-ring -Detail B  |                               |
| 11. Stop Nut               | 33. Breakable Flange       | 54. Drain Ring -Detail B         |                               |
| 15. Stem Seal O-rings      | 34. Nozzle Section Nut     | 55. Brass Plug -Not shown        |                               |
| 16. Upper Stem Rod         | 35. Upper Barrel           | 56. Brass Fitting -Not shown     |                               |
| 17. Barrel Gasket          | 36. Coupler Pin            |                                  |                               |



Detail "B"

Ref No.	Base Size	Outlets	A	B*	C			
					Flanged	MJ	Push-on	PE
27M-PPN-4	- 4"	2x2½", 1x4"/4½"	49.50" - 247.50"	18" - 216"	8.00"	8.00"	N/A	23.70"
27M-PPN-6	- 6"	2x2½", 1x4"/4½"	49.50" - 247.50"	18" - 216"	8.00"	8.00"	9.00"	22.80"
27M-PPN-8	- 8"	2x2½", 1x4"/4½"	49.50" - 247.50"	18" - 216"	N/A	9.38"	N/A	N/A

\* Buries greater than 216" available upon request.

