

AMERICAN AVK HIGH PRESSURE, 250 PSI, MODERN, DRY BARREL HYDRANT, WITH EXTENDED UPPER BARREL

**27M/PHH/EXT
EXTENDED**

Meets or exceeds AWWA C502 (latest) - Working Pressure - 250 PSI

Inlet Bases: Flanged in accordance with ANSI B16.1 Class 125,

Mechanical and Push-On Joint in accordance with ANSI/AWWA C111/A21.11

Use:

For water and neutral liquids to maximum 160°F.

Tests:

Hydraulic test to AWWA C502:

Seat Test: 500 PSI

Approvals:

UL/ULC Listed,

FM Approved

Certified to:

NSF/ANSI 61

NSF/ANSI 372



Components:

Nozzle Section, Bonnet, Barrels, Standpipe Flanges, Upper Barrel
Breakable Flange, Main Valve Flange, Base, Monitor Elbow

Caps, Weathershield

Nozzles, Valve Seat Ring, Drain Ring
Operating Nut, Thrust Nut

Brass Fittings, Brass Plugs

Main Valve

Stem Rod Couplings, Lock Rings, Nozzle Retaining
Screw, Lock Plate, Lock Plate Screw, Stop Pins,
Coupler Pins, Main Valve Retaining Pin, Spring Pins,

Coating

Stop Nut, Chain Set, Hardware

Barrel Gasket, Cap Gasket, O-rings

Lubrication Hole Seal

Anti-Friction Washer

Base Elbow / Inlet Configuration

6" MJ

4" MJ

8" MJ*

*Not UL/ULC Listed or FM Approved

Standard:

Ductile Iron ASTM A536

Cast Iron ASTM A126 Class "B"

Bronze

Brass

Ductile iron core, fully encapsulated with EPDM rubber.

Stainless Steel

Above ground-Fusion bonded epoxy inside and out. Below
ground - Bitumen/Fusion bonded epoxy. Epoxy meets or
exceeds AWWA C550 (latest)

Zinc Plated Steel

NBR - (Barrel Gasket with 304 stainless insert)

Oil Resistant Rubber

Polyamide

6" Flanged

4" Flanged

Straight Flanged 6"

6" Push-on

4" PE*

6" PE*

Optional Materials:

Hardware

Upper Stem Rod

Lower Stem Rod

Zinc Plated

304 Stainless

304 Stainless

304 Stainless

Epoxy Coated Steel

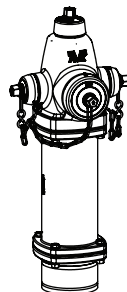
Epoxy Coated Steel

316 Stainless

Opening Direction

Open Left

Open Right



Series 27M/PHH/EXT Extended Upper Barrel
1 Pumper, 2 Hose Outlet

AMERICAN AVK HIGH PRESSURE, 250 PSI, MODERN, DRY BARREL HYDRANT, WITH EXTENDED UPPER BARREL

**27M/PHH/EXT
EXTENDED**

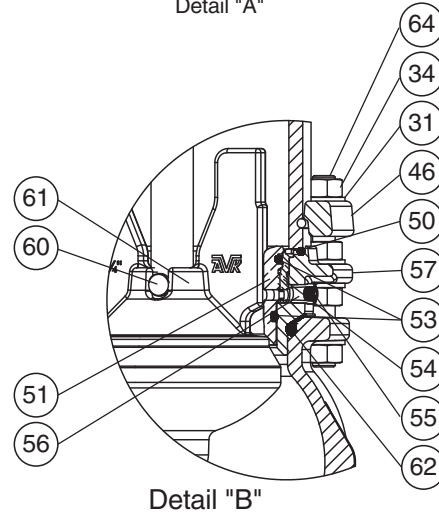
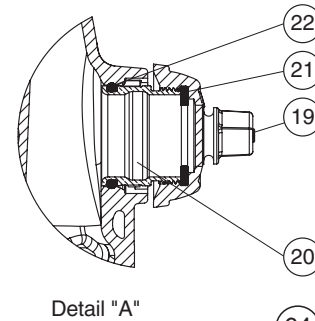
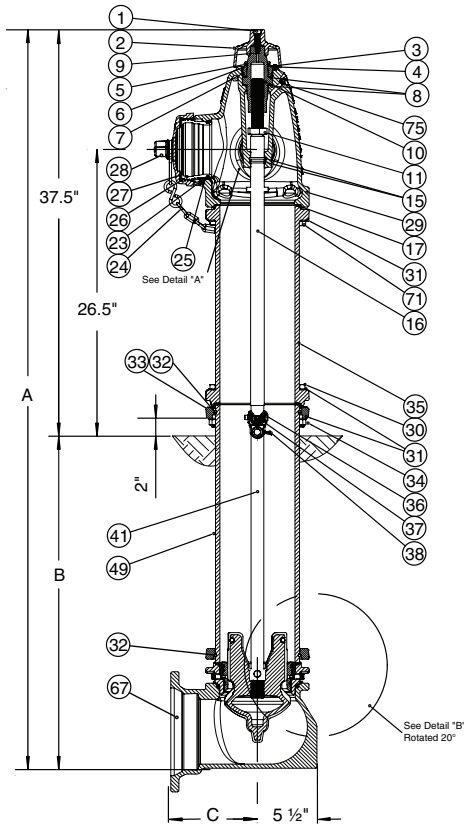
Meets or exceeds AWWA C502 (latest) - Working Pressure - 250 PSI

Inlet Bases: Flanged in accordance with ANSI B16.1 Class 125,

Mechanical and Push-On Joint in accordance with ANSI/AWWA C111/A21.11

Component List:

- | | | | |
|-------------------------------|--------------------------------------|--|-------------------------------|
| 1. Weathershield Bolt | 21. Hose Nozzle Cap Gasket -Detail A | 37. Breakable Stem Rod Coupling | 61. Main Valve Disc -Detail B |
| 2. Weathershield | 22. Hose Nozzle O-ring - Detail A | 38. Spring Pin | 62. Base Gasket -Detail B |
| 3. Lock Plate Screw | 23. Nozzle Retaining Screw | 41. Lower Stem Rod | 64. Stud Bolt -Detail B |
| 4. Lock Plate | 24. Chain Set | 46. Standpipe Flange -Detail B | 67. Base Bolt |
| 5. Inner Thrust Nut O-ring | 25. Pumper Nozzle O-ring | 49. Lower Barrel | 71. Modern Nozzle Section |
| 6. Thrust Nut | 26. Pumper Nozzle | 50. Lower Barrel O-ring Detail B | |
| 7. Outer Thrust Nut O-ring | 27. Pumper Nozzle Gasket | 51. Valve Seat Ring -Detail B | |
| 8. Anti-Friction Washer | 28. Pumper Nozzle Cap | 53. Valve Seat O-ring -Detail B | |
| 9. Lubrication Hole Seal | 29. Nozzle Section | 54. Drain Ring -Detail B | |
| 10. Operating Nut | 30. Nozzle Section Bolt | 55. Brass Plug -Detail B | |
| 11. Stop Nut | 31. Nozzle Section Washer | 56. Brass Fitting -Detail B | |
| 15. Stem Seal O-rings | 32. Lock Ring | 57. Main Valve Flange -Detail B | |
| 16. Upper Stem Rod | 33. Breakable Flange | 60. Main Valve Retaining Pin -Detail B | |
| 17. Barrel Gasket | 34. Nozzle Section Nut | | |
| 19. Hose Nozzle Cap -Detail A | 35. Upper Barrel | | |
| 20. Hose Nozzle -Detail A | 36. Coupler Pin | | |



Ref No.	Base Size	Outlets	A	B*	C			
					Flanged	MJ	Push-on	PE
27M-PHH-4-EXT	- 4"	2x2½", 1x4"/4½"	55.50" - 253.50"	18" - 216"	8.00"	8.00"	N/A	23.70"
27M-PHH-6-EXT	- 6"	2x2½", 1x4"/4½"	55.50" - 253.50"	18" - 216"	8.00"	8.00"	9.00"	22.80"
27M-PHH-8-EXT	- 8"	2x2½", 1x4"/4½"	55.50" - 253.50"	18" - 216"	N/A	9.38"	N/A	N/A

* Buries greater than 216" available upon request.

