

**AMERICAN AVK HIGH PRESSURE, 250 PSI, MODERN,
DRY BARREL HYDRANT, ALPINE MODEL**

**27M/PHH/ALP/NG
ALPINE**

Meets or exceeds AWWA C502 (latest) - Working Pressure - 250 PSI

Inlet Bases: Flanged in accordance with ANSI B16.1 Class 125,

Mechanical and Push-On Joint in accordance with ANSI/AWWA C111/A21.11

Use:

For water and neutral liquids to maximum 160°F.

Tests:

Hydraulic test to AWWA C502:

Seat Test: 500 PSI

Approvals:

UL/ULC Listed,

FM Approved

Certified to:

NSF/ANSI 61

NSF/ANSI 372



Components:

Nozzle Section, Bonnet, Barrels, Standpipe Flanges, Upper Barrel Breakable Flange, Main Valve Flange, Base, Monitor Elbow

Caps, Weathershield

Nozzles, Valve Seat Ring, Drain Ring
Operating Nut, Thrust Nut

Brass Fittings, Brass Plugs

Main Valve

Stem Rod Couplings, Lock Rings, Nozzle Retaining
Screw, Lock Plate, Lock Plate Screw, Stop Pins,
Coupler Pins, Main Valve Retaining Pin, Spring Pins,

Coating

Stop Nut, Chain Set, Hardware

Barrel Gasket, Cap Gasket, O-rings

Lubrication Hole Seal

Anti-Friction Washer

Base Elbow / Inlet Configuration

6" MJ

4" MJ

8" MJ*

Standard:

Ductile Iron ASTM A536

Cast Iron ASTM A126 Class "B"

Bronze

Brass

Ductile iron core, fully encapsulated with EPDM rubber.

Stainless Steel

Above ground-Fusion bonded epoxy inside and out. Below ground - Bitumen/Fusion bonded epoxy. Epoxy meets or exceeds AWWA C550 (latest)

Zinc Plated Steel

NBR - (Barrel Gasket with 304 stainless insert)

Oil Resistant Rubber

Polyamide

6" Flanged

4" Flanged

Straight Flanged 6"

6" Push-on

4" PE*

6" PE*

*Not UL/ULC Listed or FM Approved

Optional Materials:

Hardware

Upper Stem Rod

Lower Stem Rod

Zinc Plated

304 Stainless

304 Stainless

304 Stainless

Epoxy Coated Steel

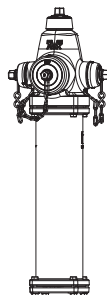
Epoxy Coated Steel

316 Stainless

Opening Direction

Open Left

Open Right



Series 27M/PHH/ALP/NG
1 Pumper, 2 Hose Outlet



AMERICAN AVK HIGH PRESSURE, 250 PSI, MODERN, DRY BARREL HYDRANT

27M/PHH/ALP/NG

Meets or exceeds AWWA C502 (latest) - Working Pressure - 250 PSI

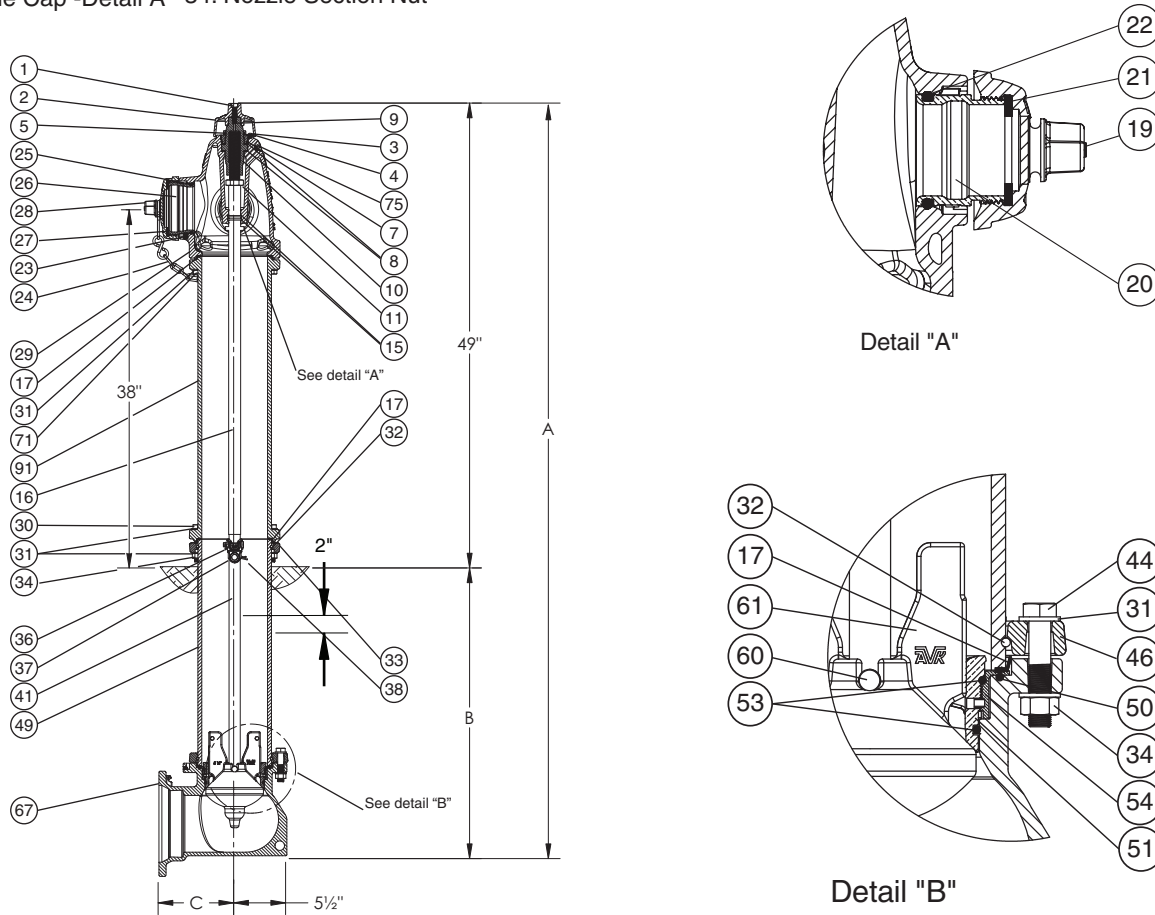
ALPINE

Inlet Bases: Flanged in accordance with ANSI B16.1 Class 125,

Mechanical and Push-On Joint in accordance with ANSI/AWWA C111/A21.11

Component List:

- | | | | |
|-------------------------------|--------------------------------------|----------------------------------|--|
| 1. Weathershield Bolt | 20. Hose Nozzle -Detail A | 36. Coupler Pin | 60. Main Valve Retaining Pin -Detail B |
| 2. Weathershield | 21. Hose Nozzle Cap Gasket -Detail A | 37. Breakable Stem Rod Coupling | 61. Main Valve Disc -Detail B |
| 3. Lock Plate Screw | 22. Hose Nozzle O-ring - Detail A | 38. Spring Pin | 62. Base Gasket -Detail B |
| 4. Lock Plate | 23. Nozzle Retaining Screw | 41. Lower Stem Rod | 64. Stud Bolt -Detail B |
| 5. Inner Thrust Nut O-ring | 24. Chain Set | 44. Extension Bolt -Detail B | 67. Base |
| 6. Thrust Nut | 25. Pumper Nozzle O-ring | 46. Standpipe Flange -Detail B | 71. Modern Nozzle Section Bolt |
| 7. Outer Thrust Nut O-ring | 26. Pumper Nozzle | 49. Lower Barrel | 75. Zerk Fitting |
| 8. Anti-Friction Washer | 27. Pumper Nozzle Gasket | 50. Lower Barrel O-ring Detail B | 91. Alpine Upper Barrel |
| 9. Lubrication Hole Seal | 28. Pumper Nozzle Cap | 51. Valve Seat Ring -Detail B | |
| 10. Operating Nut | 29. Nozzle Section | 53. Valve Seat O-ring -Detail B | |
| 11. Stop Nut | 30. Nozzle Section Bolt | 54. Drain Ring -Detail B | |
| 15. Stem Seal O-rings | 31. Nozzle Section Washer | 55. Brass Plug -Not shown | |
| 16. Upper Stem Rod | 32. Lock Ring | 56. Brass Fitting -Not shown | |
| 17. Barrel Gasket | 33. Breakable Flange | | |
| 19. Hose Nozzle Cap -Detail A | 34. Nozzle Section Nut | | |



Ref No.	Base Size	Outlets	A	B*	C Flanged	C MJ	C Push-on	C PE
27M-PHH-4-ALP	- 4"	2x2½", 1x4"/4½"	67" - 265"	18" - 216"	8.00"	8.00"	N/A	23.70"
27M-PHH-6-ALP	- 6"	2x2½", 1x4"/4½"	67" - 265"	18" - 216"	8.00"	8.00"	9.00"	22.80"
27M-PHH-8-ALP	- 8"	2x2½", 1x4"/4½"	67" - 265"	18" - 216"	N/A	9.38"	N/A	N/A

* Buries greater than 216" available upon request.

