

**AMERICAN AVK RESILIENT SEATED GATE VALVE**  
**250 PSI, Tested to AWWA C509 (NRS)**  
**Iron Pipe Size - Valve Sizes 2 1/2" - 8"**

**25/1X**  
**IPSxIPS**

**Use:**

For water and neutral liquids to maximum 160°F.

**Tests:**

Hydraulic test to AWWA C509:  
 Shell Test: 500 PSI  
 Seat Test: 250 PSI  
 Operating Torque Test

**Optional Materials:**

Stem	Option a): For UL, FM, ULC Low zinc bronze ASTM B763
Anti Friction Washers	Polyamide
Bonnet Bolts	Option a): For UL, FM, ULC ASTM A164 zinc coated steel sealed with hot melt  Option b): Stainless Steel - 316 sealed with hot melt
Gland Bolts	Option a): For UL, FM, ULC ASTM A164 zinc coated steel Hexagon bolt  Option b): Stainless Steel - 316 Hexagon bolt

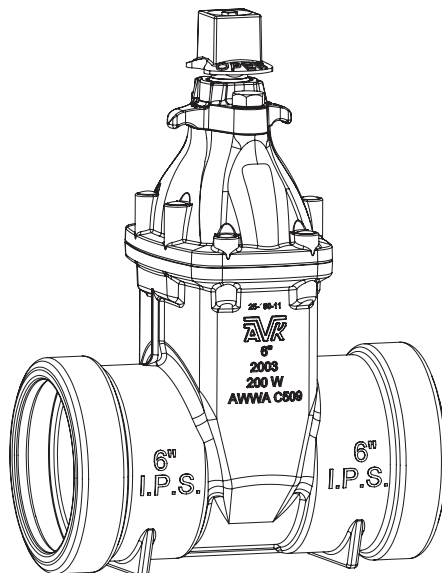
**Standard Materials:**

Body, Bonnet, Gland Flange Coating	Cast iron ASTM A126 class B Ductile iron ASTM A536 Electrostatically applied fusion- bonded epoxy-resin Meets or exceeds AWWA C550
Wrench Nut	Ductile iron ASTM A536 - painted black for open left, red for open right.
Stem	Standard: Stainless Steel, ASTM A582
Wedge	Ductile iron ASTM A536 encapsulated with EPDM-rubber compound
Wedge Nut, Thrust Collar	Bronze
Bonnet Bolts	Stainless Steel - 304 sealed with hot melt
Gland Bolts Hexagon bolt	Stainless Steel - 304
Bonnet Gasket Wiper Ring, O-Ring Stem Seals, O-Ring Gland Seal	ASTM D2000 Buna "N" nitrile rubber

**Approvals:**



\*UL/ULC Listed,  
 \*FM Approved  
 \* Approved at 200 PSI working pressure  
 Certified to: NSF/ANSI 61, NSF/ANSI 372

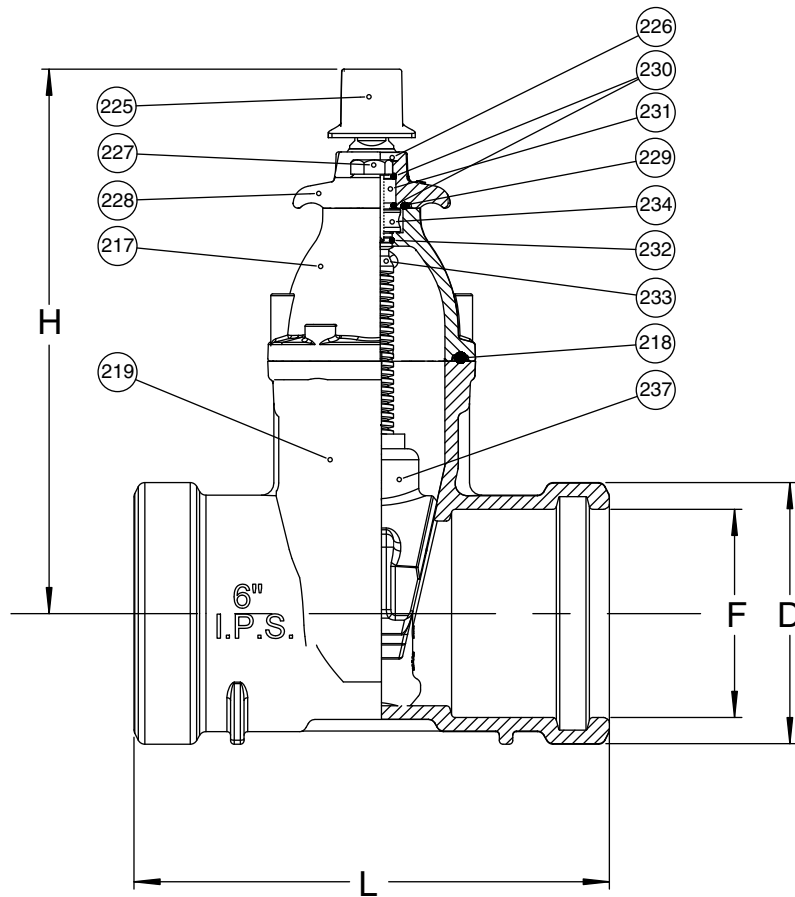


**AMERICAN AVK RESILIENT SEATED GATE VALVE**  
**250 PSI, Tested to AWWA C509 (NRS)**  
**Iron Pipe Size - Valve Sizes 2 ½" - 8"**

**25/1X**  
**IPSxIPS**

**Component List:**

- |                    |                              |                             |
|--------------------|------------------------------|-----------------------------|
| 217. Bonnet        | 227. Gland Flange Bolt       | 232. Lower Stem Seal O-Ring |
| 218. Bonnet Gasket | 228. Gland Flange            | 233. NRS Stem               |
| 219. Body          | 229. Gland O-Ring            | 234. Thrust Collar          |
| 225. Wrench Nut    | 230. Upper Stem Seal O-Rings | 237. Wedge                  |
| 226. Wiper Ring    | 231. Stem Seal Bushing       |                             |



Ref No.	Size	D	F	H	L	Holes	Weight (lbs.)
25-065-1X	2.5"	4.20"	2.98"	11.25"	11.38"	11	32
25-080-1X	3"	5.06"	3.61"	12.50"	11.10"	13	36
25-100-1X	4"	6.05"	4.61"	13.50"	11.73"	14	46
26-150-1X	6"	8.41"	6.75"	17.50"	15.30"	21	87
26-200-1X	8"	10.74"	8.75"	21.50"	16.46"	26	133

