

**AMERICAN AVK HIGH PRESSURE, 350 PSI, THREADED NOZZLE,  
WET BARREL HYDRANT** - Meets or exceeds AWWA C503 (latest)

**24T/PHN  
WET HIGH PRESSURE**

**Use:**  
For water and neutral liquids to maximum 160°F.

**Tests:**  
Hydraulic test to AWWA C503:  
Shell Test: 700 PSI

**Options:**  
Break Flange  
Hydrant Check Valve (FlowGuard II ®)

**Approvals:**  
UL Listed,  
FM Approved  
Certified to: ANSI/NSF 61, ANSI/NSF 372



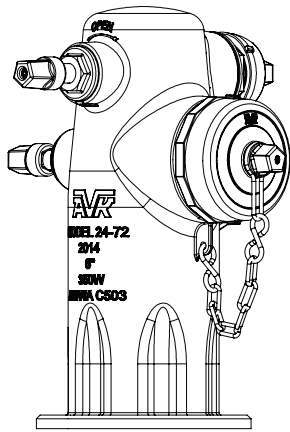



Certified to NSF/ANSI 61      Certified to NSF/ANSI 372

**Standard Materials:**

Nozzle Section	Ductile iron ASTM A536
Caps, Dummy Nuts	Cast iron ASTM A126 class B
Stems, Nozzles, Stem Nuts	Bronze
Valve Discs	Bronze encapsulated with Nitrile Rubber
O-rings,	NBR
Cap Gaskets	Neoprene rubber
Nozzle Retainer Screws Thrust Collars, Thrust Nuts	Stainless Steel
Cap Chains	Zinc Plated Steel
Coating	Electrostatically applied fusion-bonded epoxy-resin

Note: Nozzles, Stem Nuts and Stem Seals field replaceable  
Pumper Nozzles interchangeable from 4" to 4½"



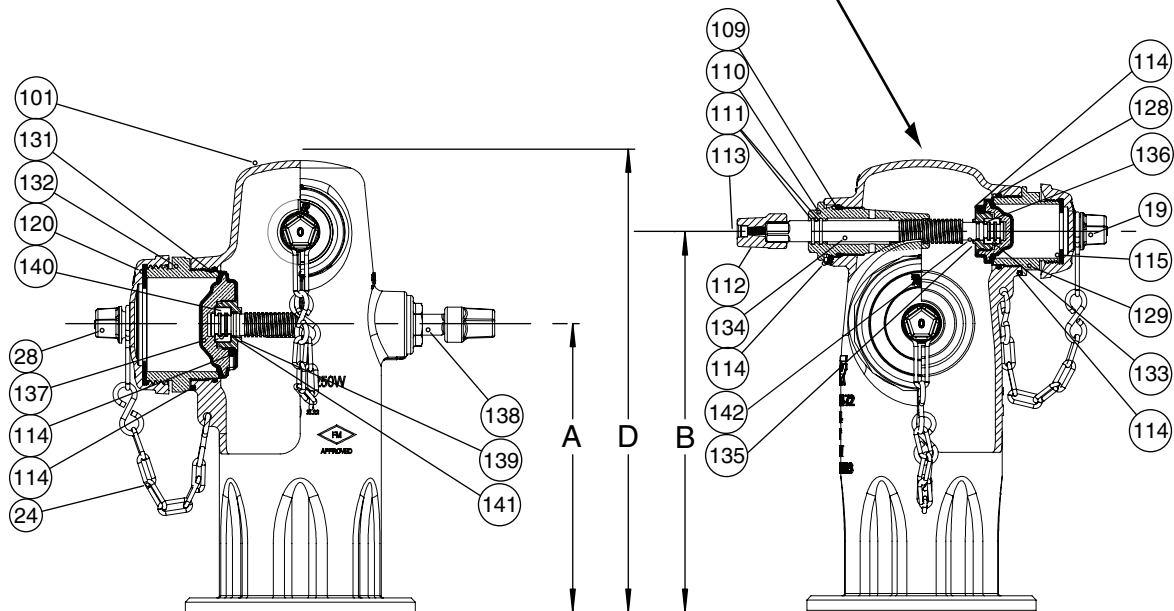
Series 2472-Phn  
1 Pumper, 1 Hose Outlet \*



**Component List:**

- |  |                               |                             |
|--|-------------------------------|-----------------------------|
| 19. Hose Nozzle Cap                    | 112. Dummy Nut                | 136. 2.5" Thrust Collar     |
| 22. Hose Nozzle O-Ring                 | 113. Dummy Nut Retaining Bolt | 137. 4.5" Valve Disc        |
| 23. Nozzle Retaining Screw (not shown) | 114. Stem Nut Retaining Screw | 138. 4.5" Valve Stem        |
| 24. Chain Set                          | 115. Hose Nozzle Cap Gasket   | 139. 4.5" Thrust Nut        |
| 25. Pumper Nozzle O-Ring               | 116. Hose Nozzle              | 140. 4.5" Thrust Collar     |
| 28. Pumper Cap                         | 120. Pumper Cap Gasket        | 141. 4.5" Thrust Nut O-ring |
| 101. Nozzle Section                    | 126. Pumper Nozzle            | 142. 2.5" Thrust Nut O-ring |
| 109. Outer Stem Nut O-ring             | 133. 2.5" Valve Disc          |                             |
| 110. Stem Nut                          | 134. 2.5" Valve Stem          |                             |
| 111. Inner Stem Nut O-Ring             | 135. 2.5" Thrust Nut          |                             |

Top may be tapped for 2.5" auxiliary valve



Ref No.	Outlets	A	B	D	Weights (lbs)
24T-PHN	1x2.5", 1x4.5"	14"	18.50"	22.50"	82

With optional factory assembled breakable unit, add 42 lbs. to shipping weight.

