

AMERICAN AVK HIGH PRESSURE, 200 PSI, BRONZE WET BARREL HYDRANT

24BPHN/PHH/PPH
WET BRONZE

Meets or exceeds AWWA C503 (latest)

Use:

For water and neutral liquids to maximum 160°F.

Tests:

Hydraulic test to AWWA C503:
Shell Test: 400 PSI

Options:

Caps: Bronze, Plastic

Break Flange

Storz Nozzles, 2½" through 5"

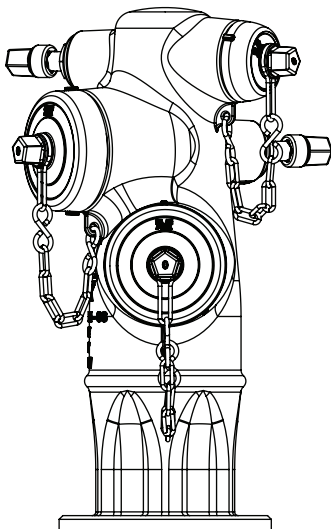
Hydrant Check Valve (FlowGuard II ®)

Standard Materials:

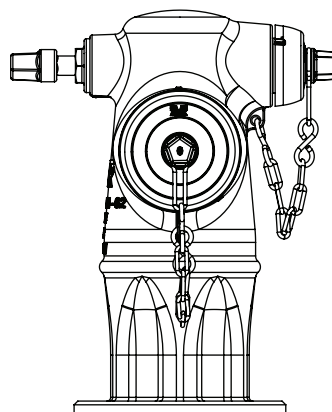
Nozzle Section, Stems, Nozzles, Stem Nuts, Thrust Nuts	Bronze
Dummy Nuts, Caps	Cast iron ASTM A126 class B
Valve Discs	Bronze encapsulated with Nitrile Rubber
O-rings,	NBR
Cap Gaskets	Neoprene rubber
Nozzle Retainer Screws Thrust Collars	Stainless Steel
Cap Chains	Zinc Plated Steel

Note: Nozzles, Stem Nuts and Stem Seals field
replaceable

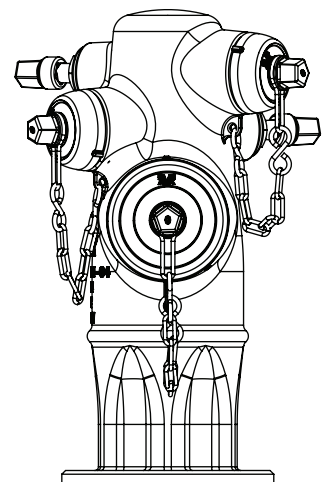
Pumper Nozzles interchangeable from 4" to 4½"



Series 2468X
2 Pumper, 1 Hose Outlet



Series 2462X
1 Pumper, 1 Hose Outlet



Series 2464X
1 Pumper, 2 Hose Outlets



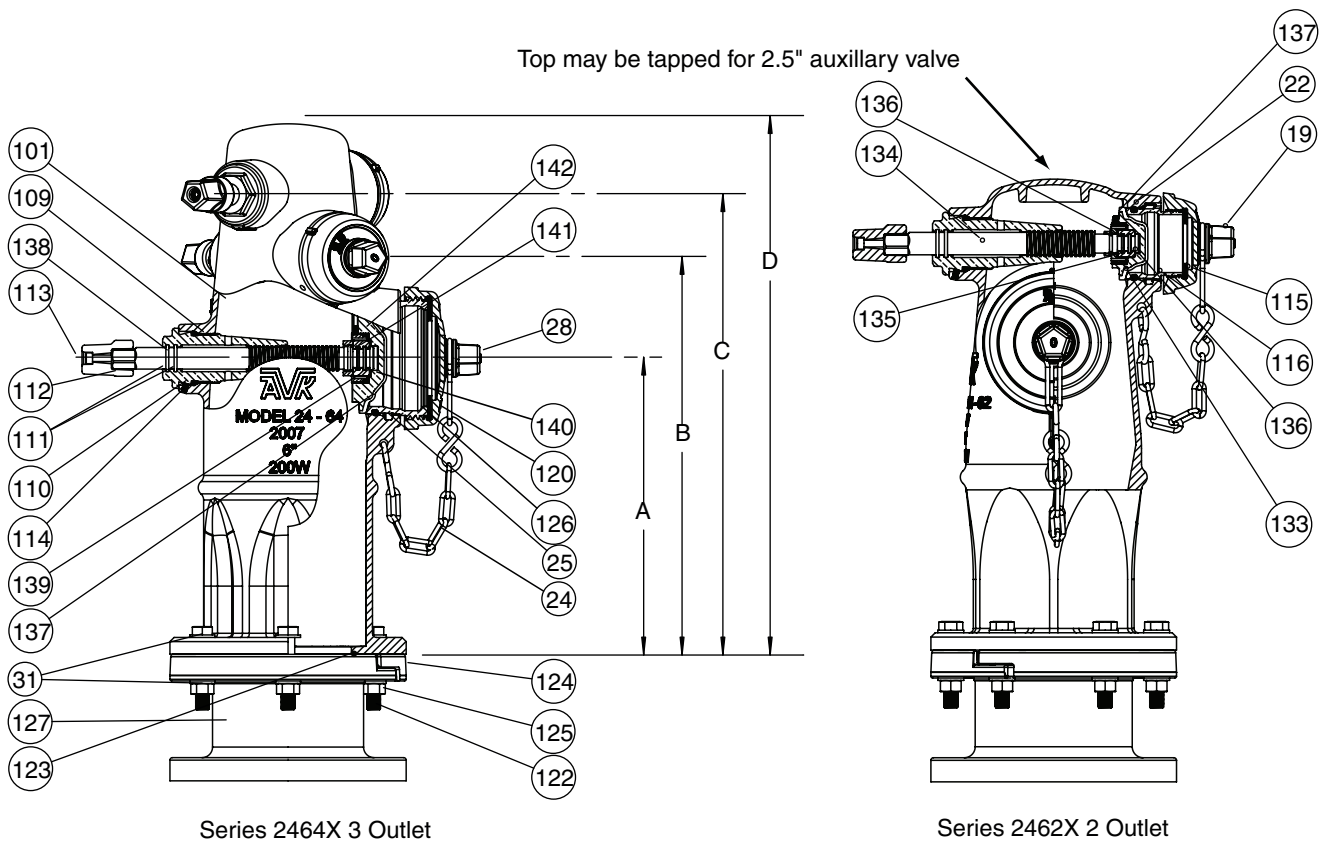
**AMERICAN AVK HIGH PRESSURE, 200 PSI,
BRONZE WET BARREL HYDRANT**

**24BPHH/PHN/PPN
WET BRONZE**

Meets or exceeds AWWA C503 (latest)

Component List:

- | | | |
|--|-------------------------------|--------------------------------|
| 19. Hose Nozzle Cap | 112. Dummy Nut | 127. Wet Barrel Flange Section |
| 22. Hose Nozzle O-Ring | 113. Dummy Nut Retaining Bolt | 133. 2.5" Valve Disc |
| 23. Nozzle Retaining Screw (not shown) | 114. Stem Nut Retaining Screw | 134. 2.5" Valve Stem |
| 24. Chain Set | 115. Hose Nozzle Cap Gasket | 135. 2.5" Thrust Nut |
| 25. Pumper Nozzle O-Ring | 116. Hose Nozzle | 136. 2.5" Thrust Collar |
| 28. Pumper Cap | 120. Pumper Cap Gasket | 137. 4.5" Valve Disc |
| 31. Nozzle Section Washer | 122. Nozzle Section Bolt | 138. 4.5" Valve Stem |
| 101. Nozzle Section | 123. Wet Barrel Flange O-Ring | 139. 4.5" Thrust Nut |
| 109. Outer Stem Nut O-ring | 124. Break Ring | 140. 4.5" Thrust Collar |
| 110. Stem Nut | 125. Nozzle Section Nut | 141. Thrust Nut O-ring |
| 111. Inner Stem Nut O-Ring | 126. Pumper Nozzle | 142. Thrust Nut Retainer Screw |



Ref No.	Outlets	A	B	C	D	Weights (lbs)
24-15X-24BPHN	1x2.5"	14"	18.50"	-	22.50"	101
	1x4"/4.5"	14"	18.50"	-	22.50"	101
24-15X-24BPHH	2x2.5"	14"	18.75"	21.75"	25.00"	126
	1x4"/4.5"	14"	18.75"	21.75"	25.00"	126
24-15X-24BPPH	1x2.5"	14"	20.00"	24.75"	27.50"	126
	2x4"/4.5"	14"	20.00"	24.75"	27.50"	126

With optional factory assembled breakable flange unit, add 42 lbs. to shipping weight.

