

**AMERICAN AVK RESILIENT SEATED DUCTILE IRON GATE VALVE
FOR FIRE PROTECTION, 250 PSI rated working pressure
Flanged Ends to ASME B16.42 Class 150 - Valve sizes 2.5" - 8"**

**145/FFN
FLxFL**

Use:

For water to maximum 160°F.

Tests:

Hydraulic tests:

Shell Test: 500 PSI

Seat Test: 375 PSI

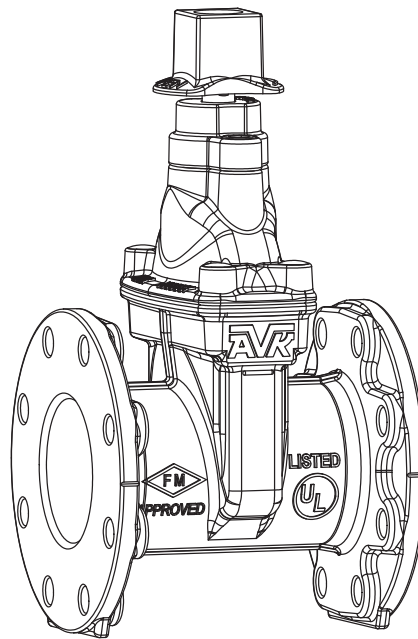
Operating Torque Test

Standard Materials:

Body, Bonnet, Gland Flange, Wrench Nut	Ductile iron ASTM A536 (Wrench Nut-painted black for open left, red for open right)
Coating	Electrostatically applied fusion- bonded epoxy-resin
Stem	Standard: Stainless steel ASTM A276
Wedge	Ductile iron ASTM A536 encapsulated with EPDM-rubber compound
Wedge Nut, Thrust Collar	Bronze
Wedge Shoe	Nylon
Bonnet Bolts	Zinc plated steel, sealed with hot melt
Gland Bolts	Zinc plated steel
Bonnet Gasket, Wiper Ring, O-Ring Stem Seals, O-Ring Gland Seal	ASTM D2000 Buna "N" nitrile rubber

Approvals:

UL/ULC Listed
FM Approved

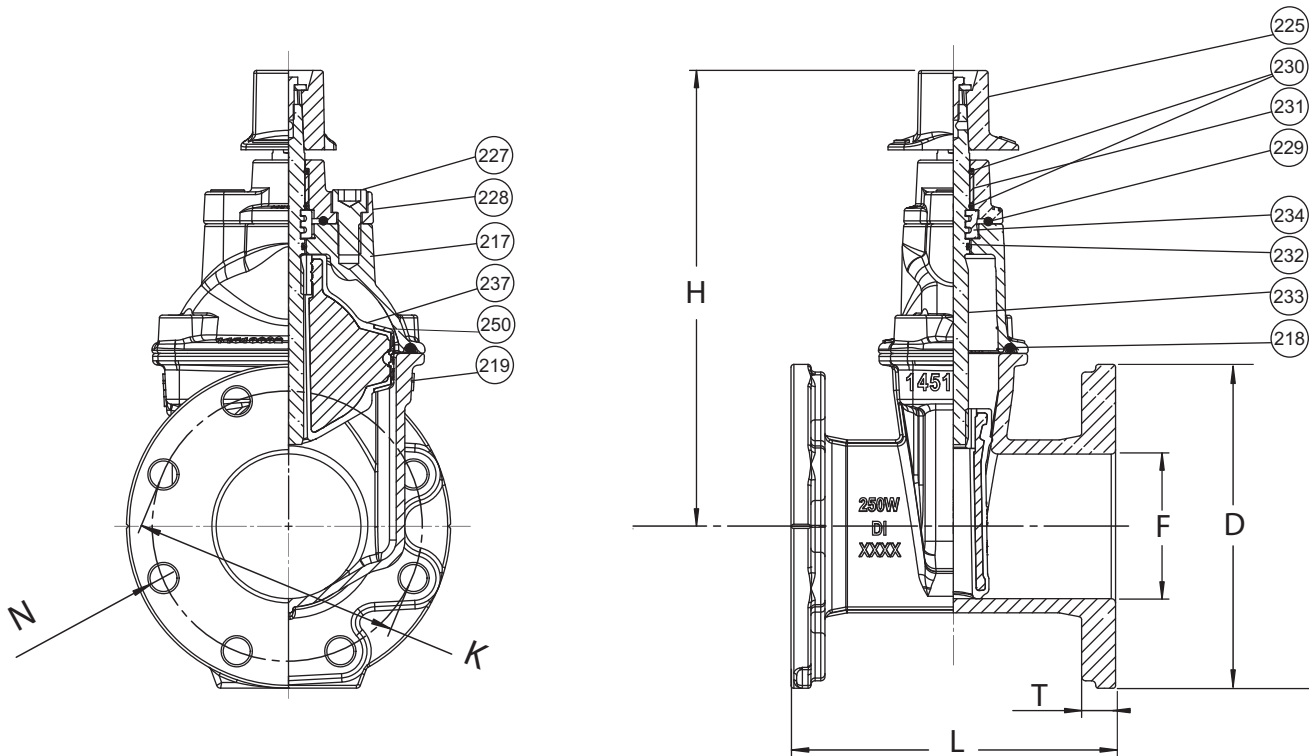


AMERICAN AVK RESILIENT SEATED DUCTILE IRON GATE VALVE
FOR FIRE PROTECTION, 250 PSI rated working pressure
 Flanged Ends to ASME B16.42 Class 150 - Valve sizes 2.5" - 8"

145/FFN
FLxFL

Component List:

- | | | |
|------------------------|------------------------------|--------------------|
| 217. Bonnet | 228. Gland Flange | 233. NRS Stem |
| 218. Bonnet Gasket | 229. Gland O-Ring | 234. Thrust Collar |
| 219. Body | 230. Upper Stem Seal O-Rings | 237. Wedge |
| 225. Wrench Nut | 231. Stem Seal Bushing | 250. Wedge Shoe |
| 227. Gland Flange Bolt | 232. Lower Stem Seal O-Ring | |



Ref No.	Size	D	F	H	K	L	N	T	Flange Holes	Turns to Open	Weight (lbs.)
145-065-FFN	2.5"	6.77"	2.50"	10.55"	5.50"	7.50"	0.75"	0.71"	4	19	28
145-080-FFN	3"	7.50"	3.00"	11.88"	6.00"	8.00"	0.75"	0.79"	4	18	38
145-100-FFN	4"	9.00"	4.00"	12.67"	7.50"	9.00"	0.75"	1.00"	8	23	48
145-150-FFN	6"	11.00"	6.00"	16.12"	9.50"	10.50"	0.88"	1.06"	8	27	95
145-200-FFN	8"	13.50"	8.00"	19.86"	11.75"	11.50"	0.88"	1.14"	8	35	169

